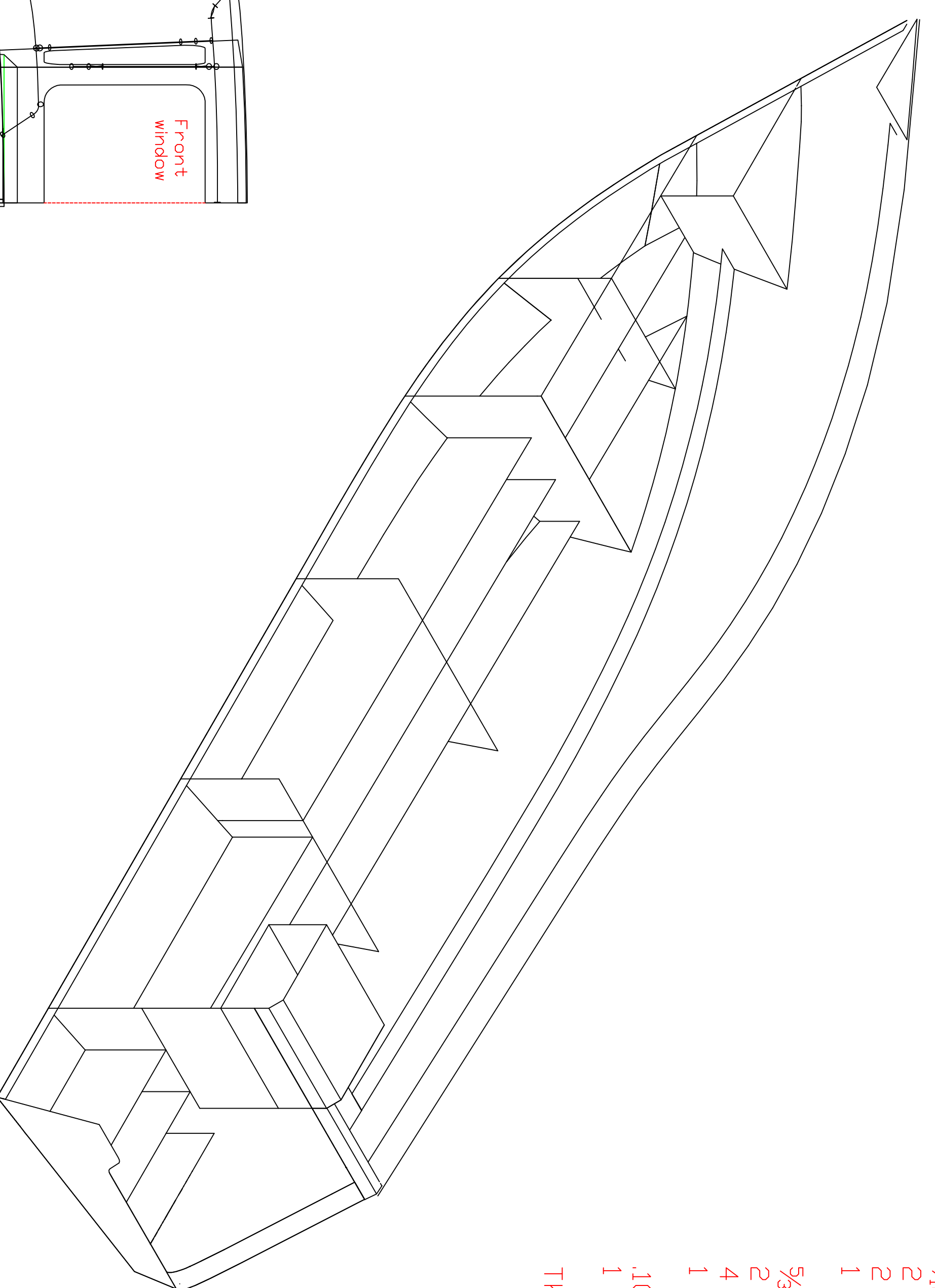
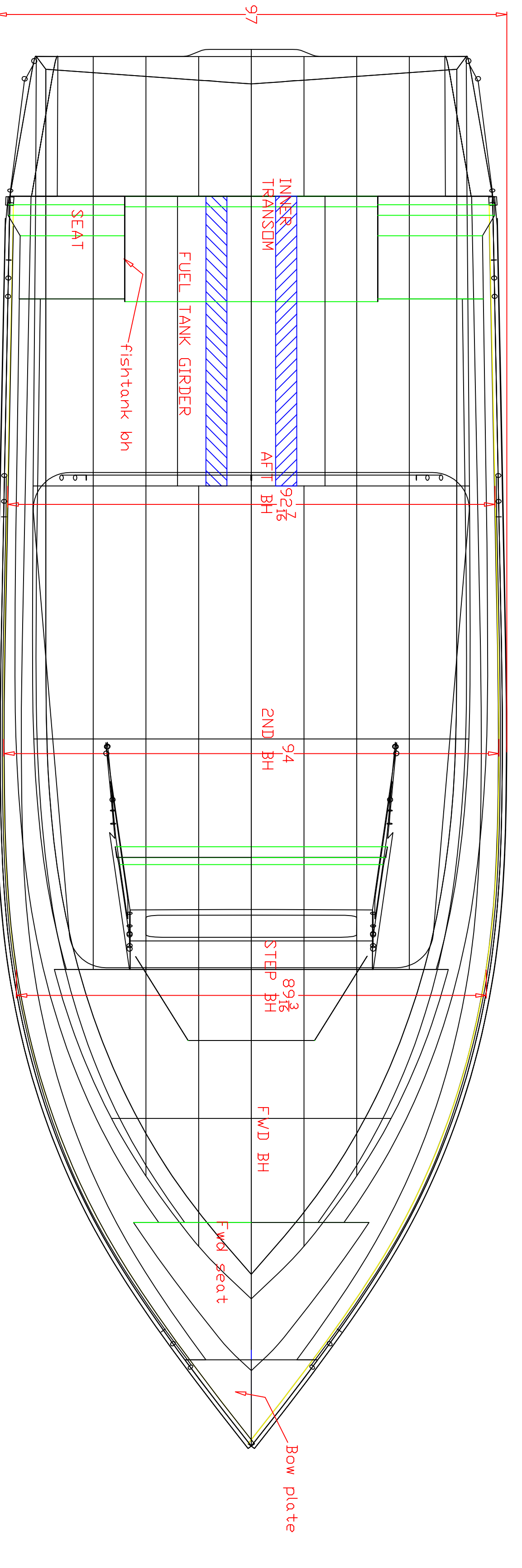
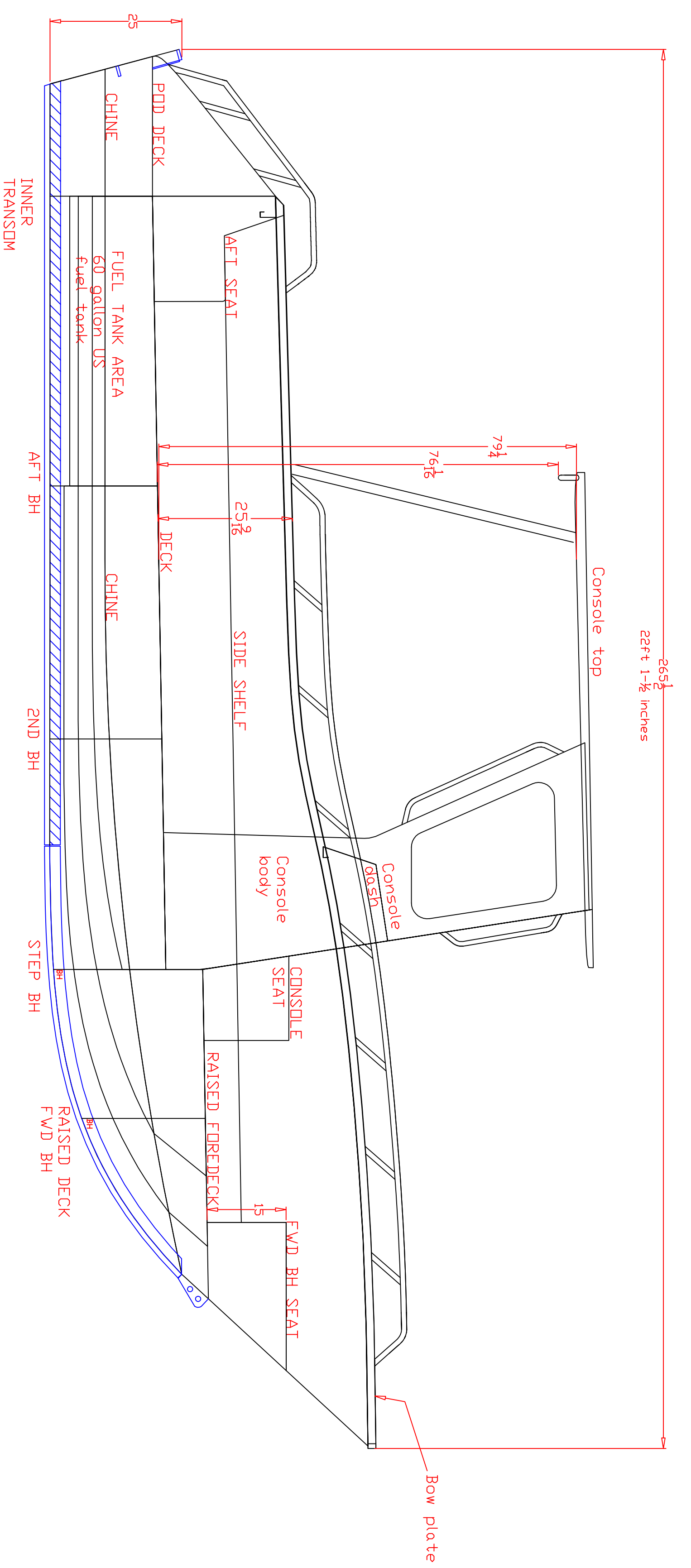
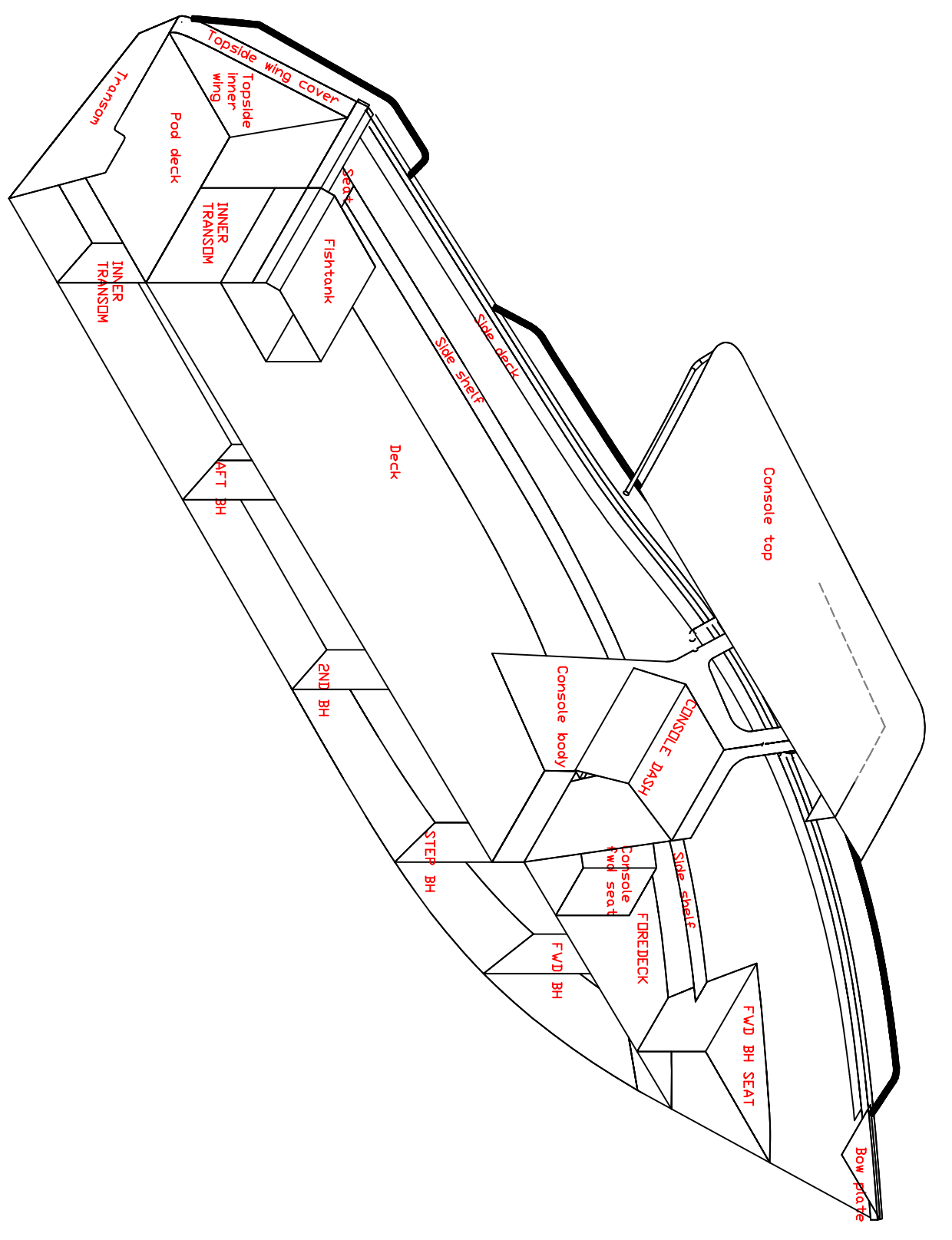
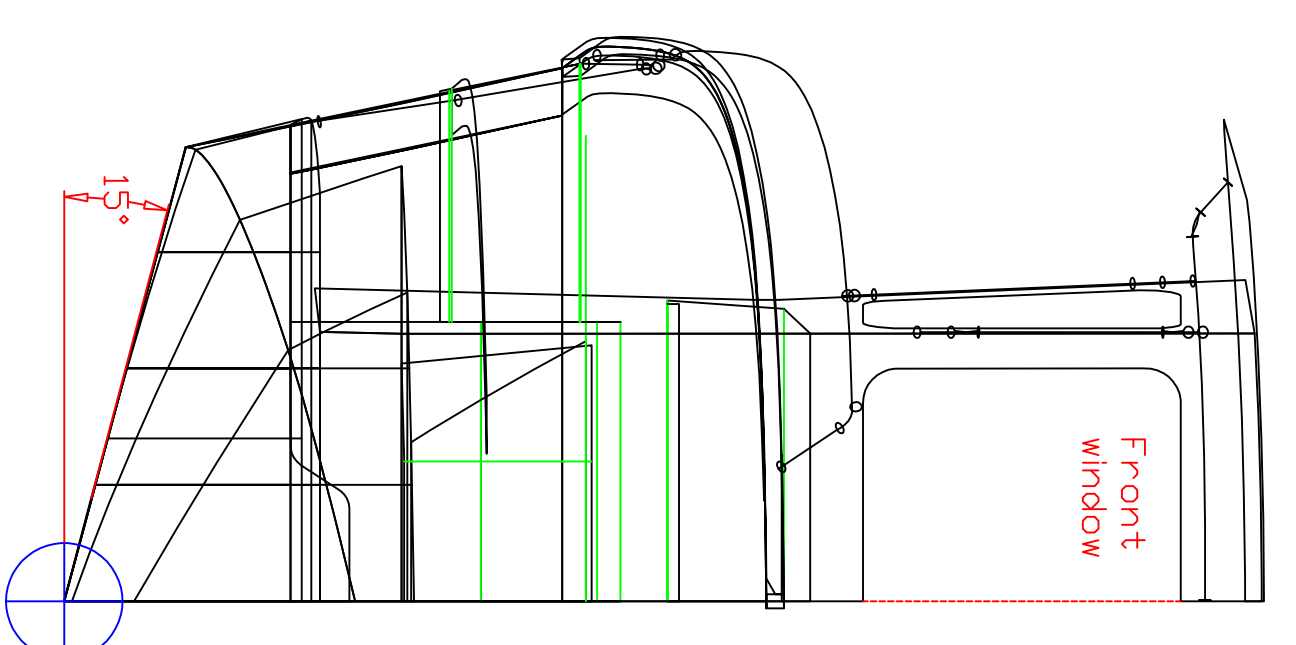


22ft Center Console (Nanoose 22) Study Plan



- Plate List
Cope-Nanoose 22
Dct. 20-2009
All plate are Aluminum
- 1/2" sheets
 - 1 sheet 1/4"x48"x96" 5086 H116
 - 3/16" sheets
 - 2 sheets 3/16"x48"x240" 5086 H116
 - 2 sheets 3/16"x48"x192" 5052 H32
 - 1 sheet 3/16"x60"x120" 5052 H32
 - 3/32" sheets
 - 2 sheets 3/32"x60"x300" 5086 H116
 - 4 sheets 3/32"x60"x240" 5052 H32
 - 1 sheet 3/32"x60"x144" 5052 H32
 - .100" sheets
 - 1 sheet .100x48"x192" 5052 H32
- There is a total of 14 sheets



Extrusion List Cope-Nanoose 22 Mar 28 2017

- Pipe**
- 3 lengths - 3/4" schedule 40 - Railings
- 1 length - 1/2" schedule 40 - grabrails/handrails
- 2 lengths - 1-1/4" schedule 40 - console roof support
- 3 lengths - 1" schedule 40 - inside gunwale
- 1/2" Pipe
- 3 lengths - 2" schedule 40 - sheer deck
- Channel**
- 1 length - 1/4" x 2" x 4" - fuel tank compartment
- Square Tube**
- 1 length - 1/8" x 1-1/2" - cabin top support
- Angle Bar**
- 3 lengths - 3/8" x 2" x 1" - chine
- Tee Bar**
- 1 length - 3/8" x 1" x 2" - Fuel CL Floor Area
- Hull Stiffeners**
- 2 lengths - hull stiffeners
- Flat Bars**
- 2 lengths - 3/8" x 2" - side shelf
- 1 length - 1/2" x 2" - aft keel bar inside hull
- 1 length - 1/2" x 1" - aft keel bar outside hull
- 1 length - 3/8" x 2" - Pod Transom

COPE--NANOOSE 22
22 FT CENTRE CONSOLE
RAISED FOREDECK MODEL

Length-----32FT
Beam-----8ft 6 in
Displacement-----32FT
Power-----Max. 175hp
Deadrise-----15 degrees

DESIGNED BY AB/COPE LTD.
DESIGNER - BRUCE COPE
MAY 14 2003
MODIFIED OCT 21 2009

SCALE = 3/4"=1FT