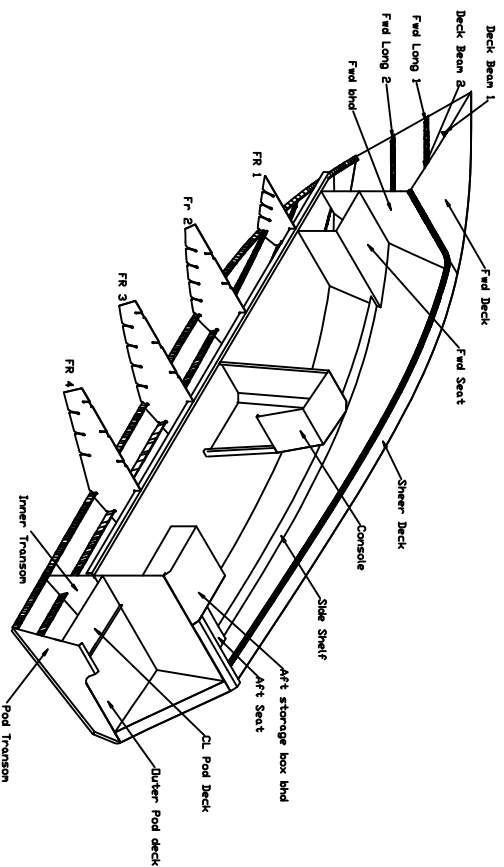
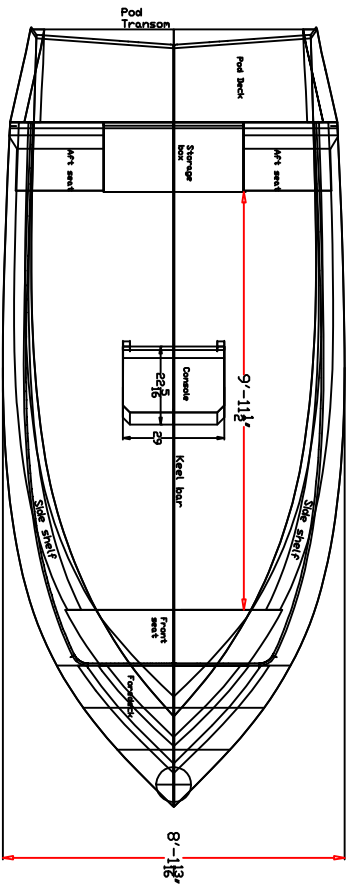
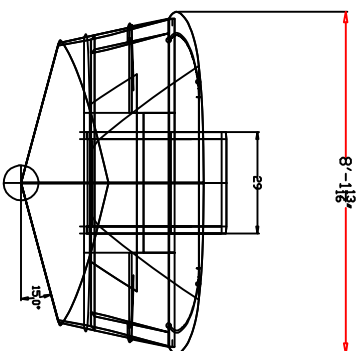
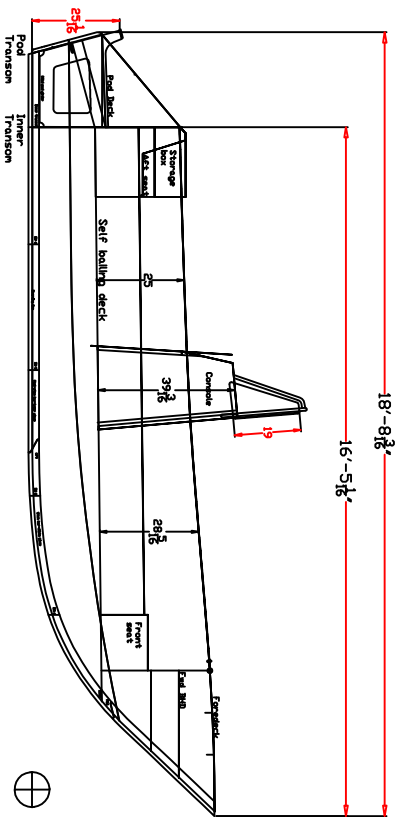


COPE - MALASPINA 18 CENTER CONSOLE RAISED SHEER  
 (25" Pod Transom)  
 DESIGN #003A  
 STUDY PLAN



Cope-Malaspina 18 Cen Con  
 Raised Sheer Model  
 Design #003A  
 Study Plan Feb 2019  
 Length-----18 ft 8 3/8"  
 Deck length-----16 ft 5 1/8"  
 Displacement-----2940 lbs  
 Dwl-----1444 lbs  
 Draught-----19 1/4"  
 Power-----Max 119 HP

Cope Plate List  
 Malaspina 18 Center Console  
 Raised Sheer Model  
 August 9-2006  
 Modified with Box Seat  
 on March 21-2017

Extrusion List for Console  
 Malaspina 18 Center Console  
 Raised Sheer Model  
 Design #003A

All lengths are 20 ft.  
 2 lengths = 2 inch sch 40 half pipe-----6061T6-----gunwales  
 2 lengths = 2 inch sch 40 pipe-----6061T6-----deck longitudinal  
 2 lengths = 1 inch 40 pipe-----6063T5-----hand rails & bow rails  
 2 lengths = 1 inch 40 pipe-----6063T5-----inside deck trim  
 2 lengths = 1 inch 40 pipe-----6063T5-----console rails  
 2 lengths = 1 inch 40 pipe-----6063T5-----console rails  
 1 length = 1 inch 40 pipe-----6061T6-----console rails  
 2 lengths = 1 inch 40 pipe-----6061T6-----console rails  
 1 length = 1 inch 40 pipe-----6061T6-----console rails  
 2-1/2 ft. of 1/2 inch 40 pipe-----6061T6-----motor mount

Designed by ABCOPE LTD.  
 Designer--Bruce Cope  
 August 2006