

COPE - COWICHAN 19 STUDY PLAN

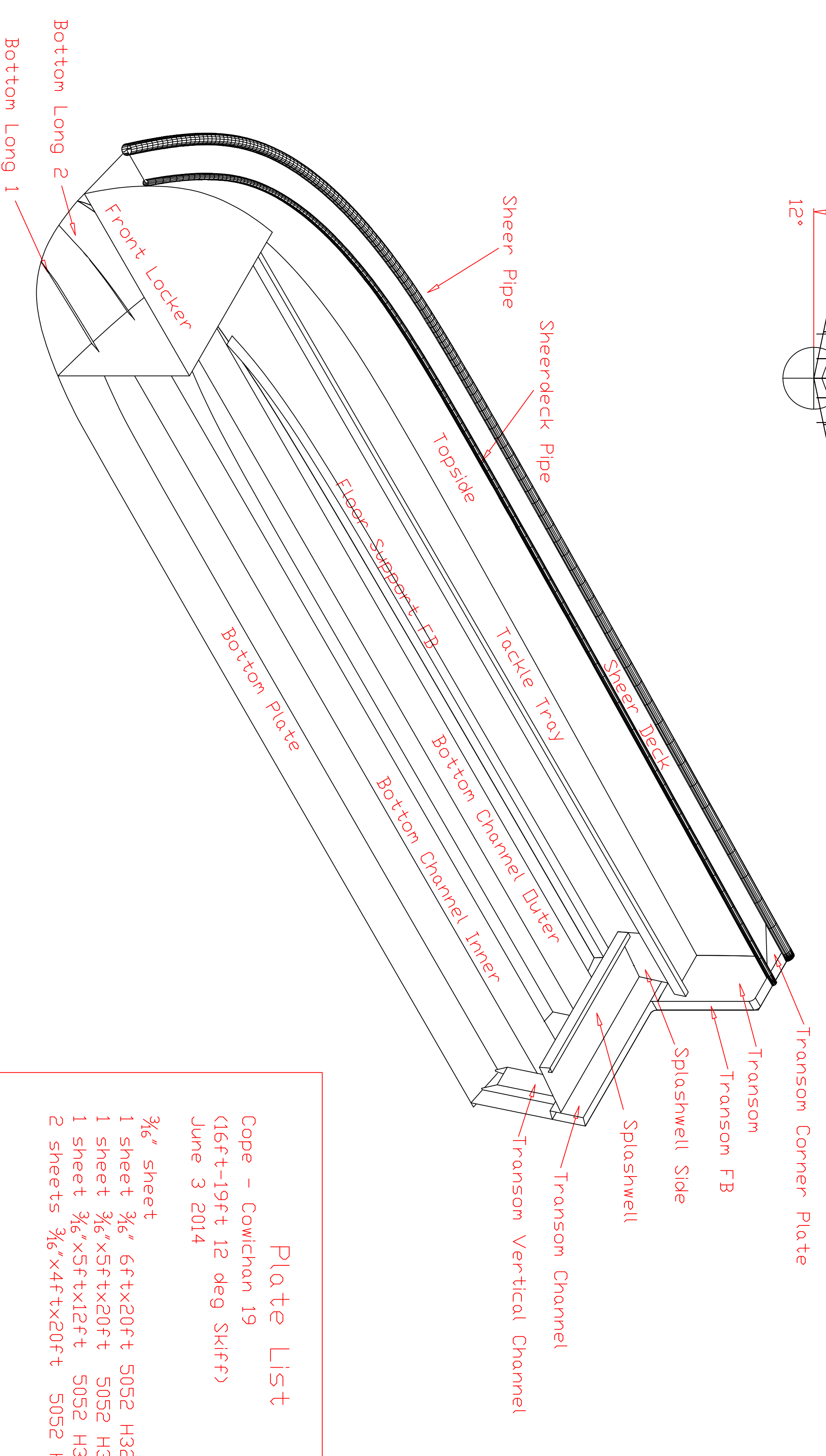
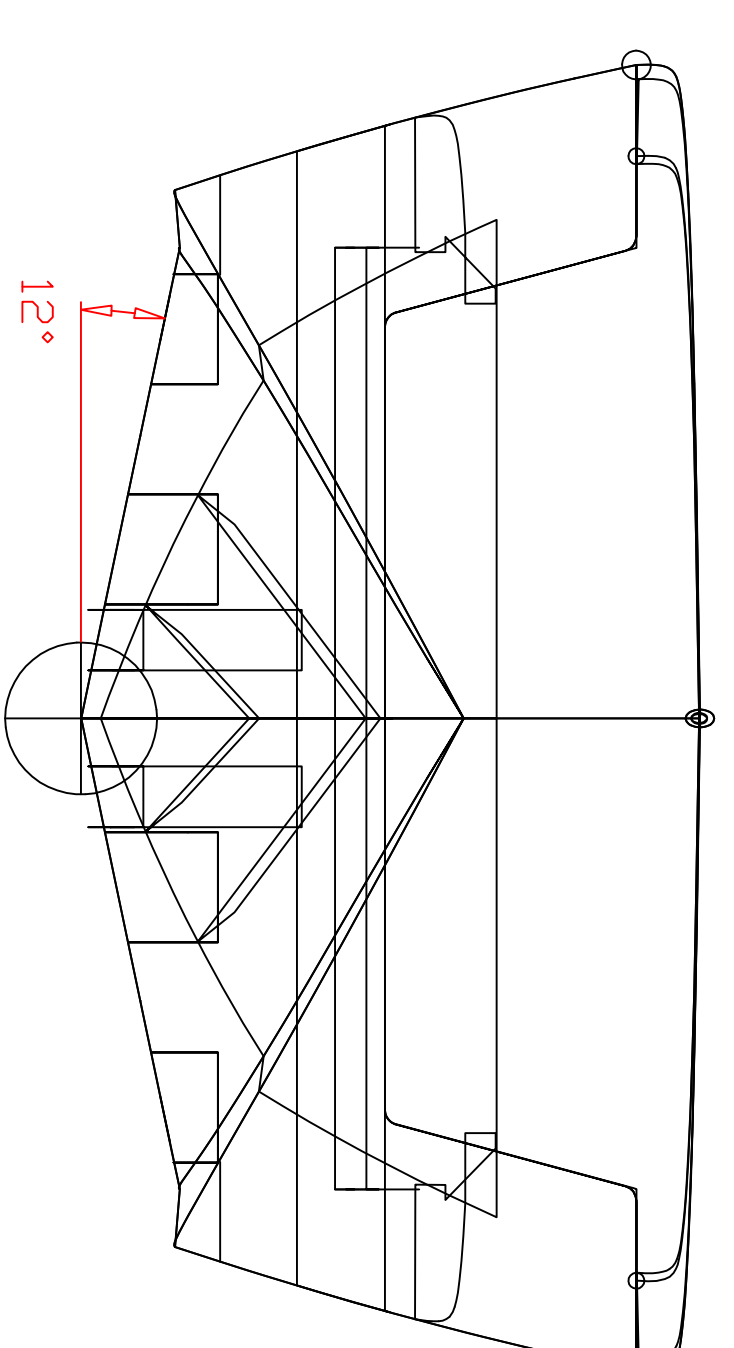
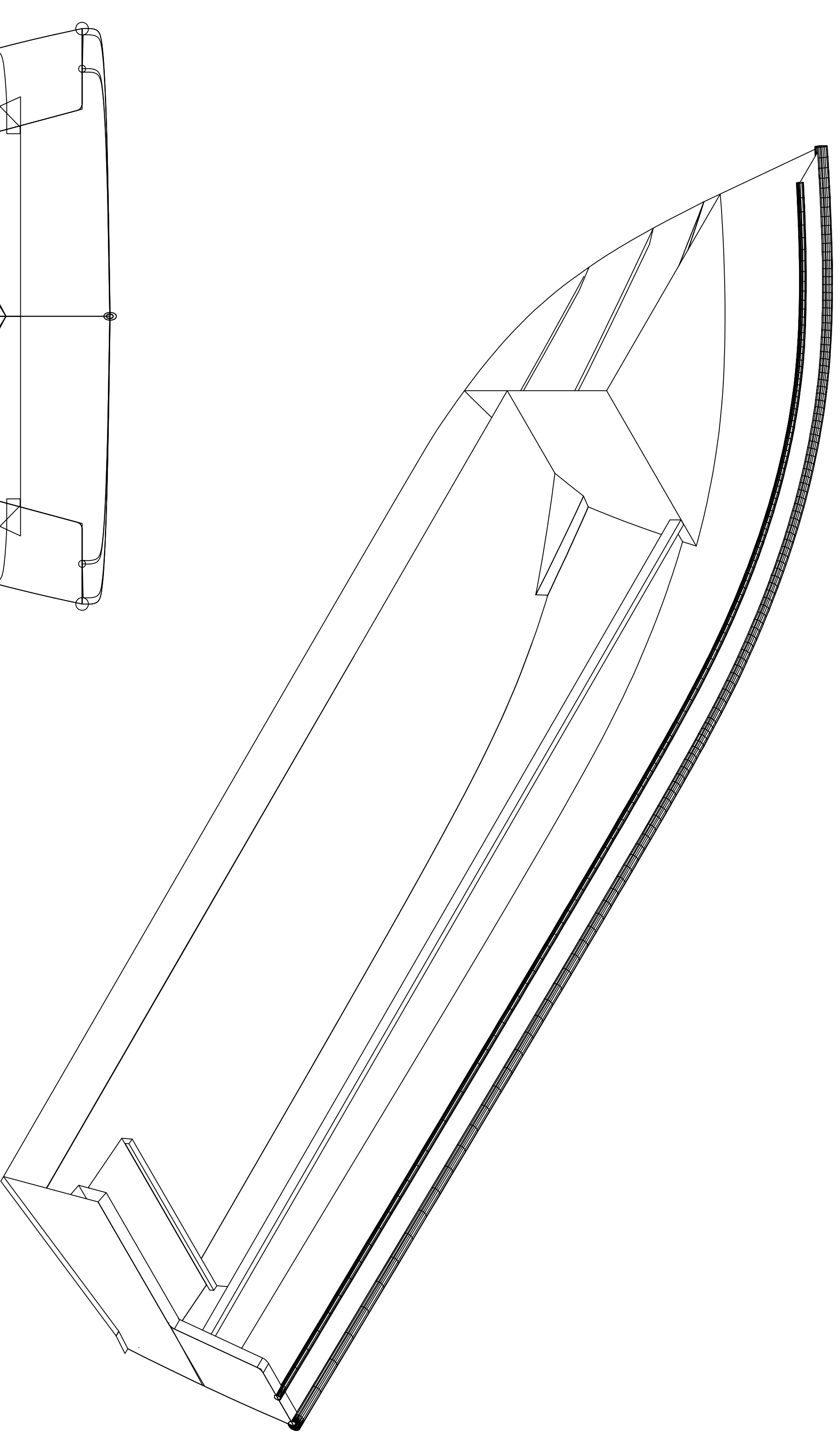
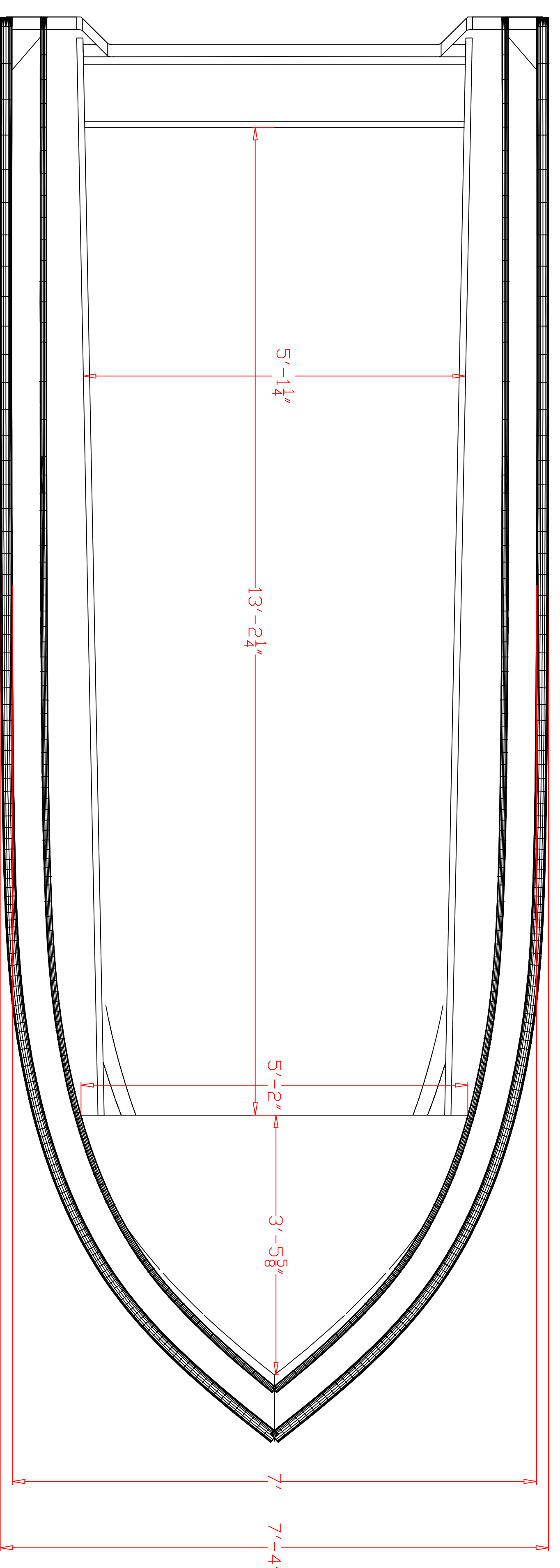
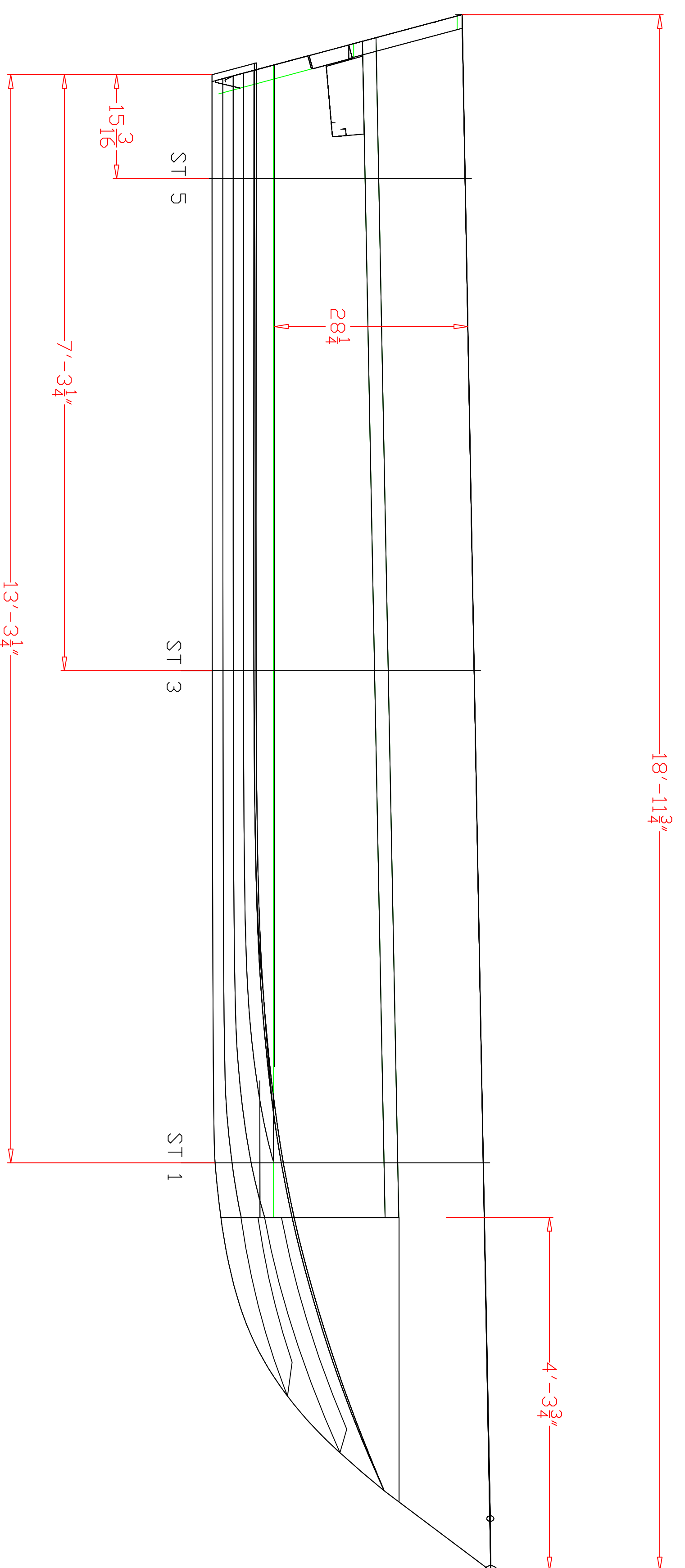


Plate List

Cope - Cowichan 19
(16ft-19ft 12 deg Skiff)
June 3 2014

3/8" sheet
1 sheet 3/8" 6ftx20ft 5052 H32
1 sheet 3/8"x5ftx20ft 5052 H32
1 sheet 3/8"x5ftx12ft 5052 H32
2 sheets 3/8"x4ftx20ft 5052 H32

3/2" sheet
2 sheets 3/2"x4ftx20ft 5052 H32
1 sheet 3/2"x5ftx20ft 5052 H32
1 sheet 3/2"x5ftx8ft 5032 H32

1/2" sheet
2 sheets 1/2"x4ftx20ft 5052 H32
There is a total of 11 sheets

Cope - Cowichan 19
(16ft-19ft 12 Degree Deadrise
Skiff)

Length hull-----19ft
Beam-----7ft 2 in
Deadrise-----12 degrees

Designed by A.B.COPE LTD.
Designer-Bruce Cope
June 2014