

Cope - Barkley Sounder 16 Tiller Steering 16ft 6in Standard Floor Study Plan

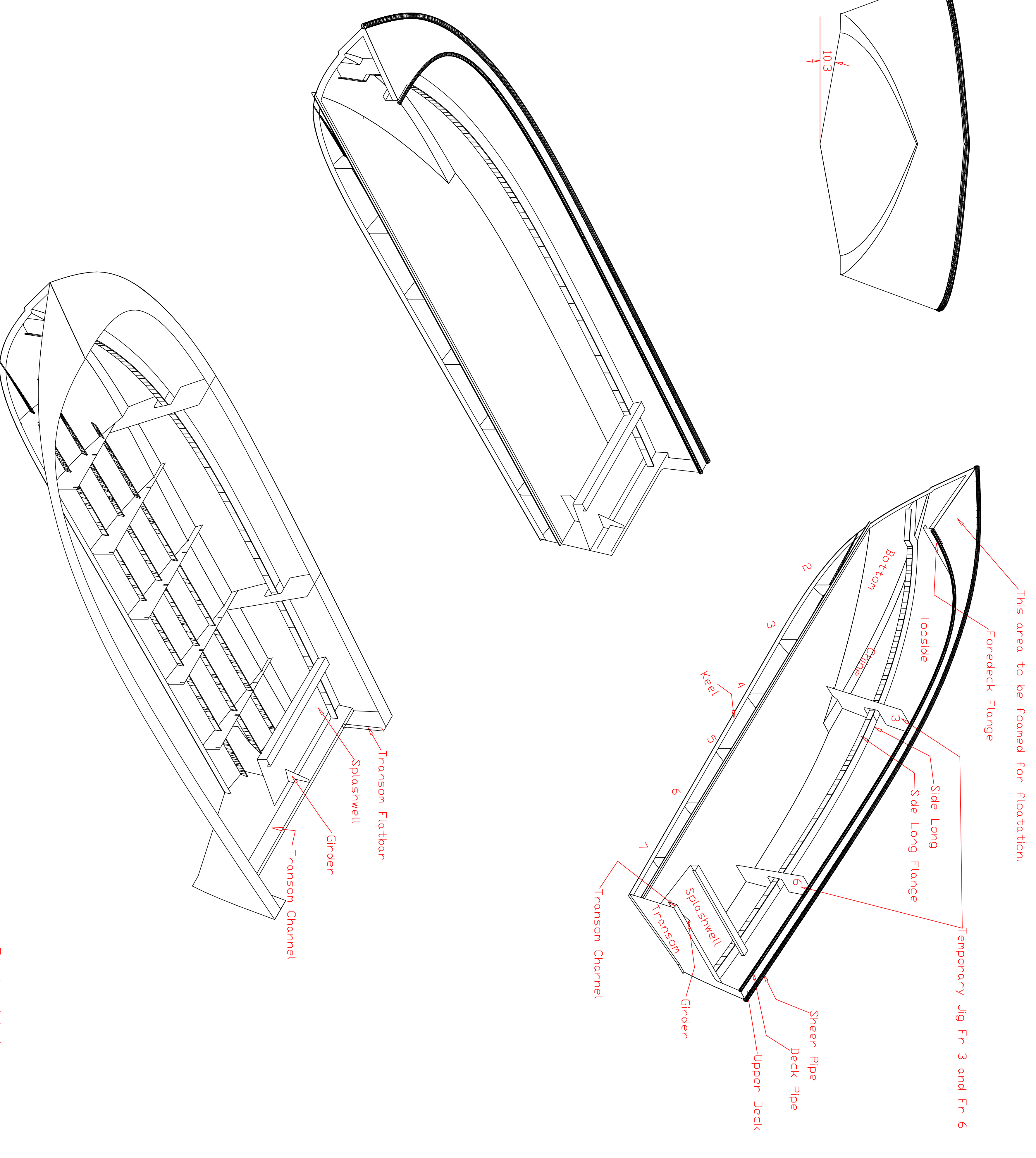
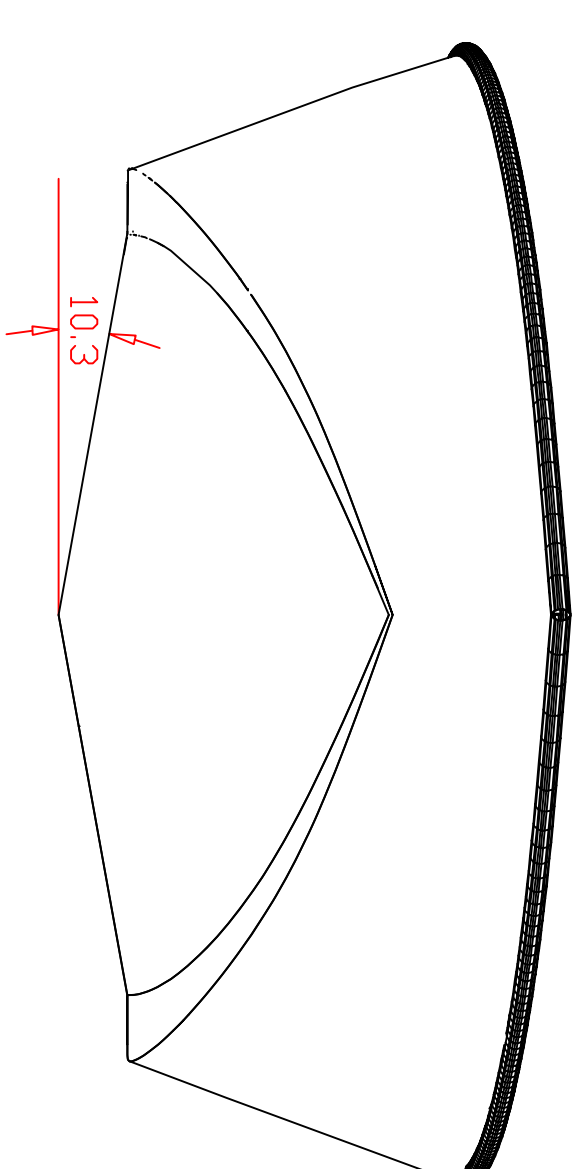
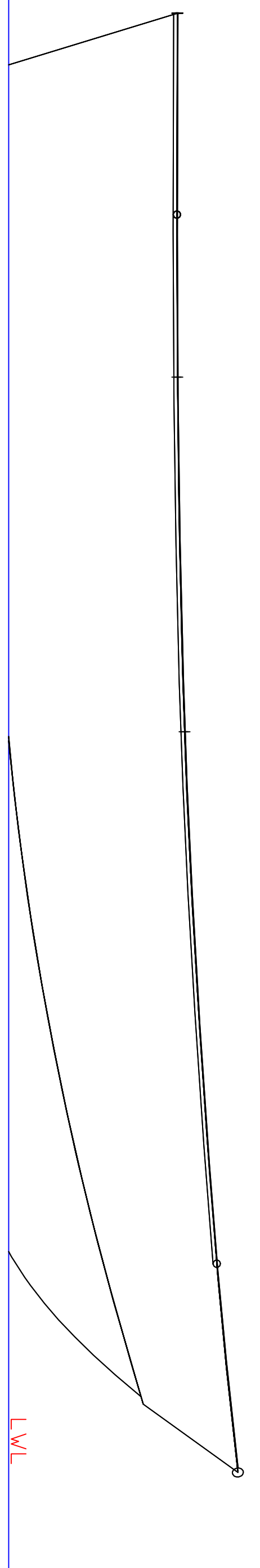
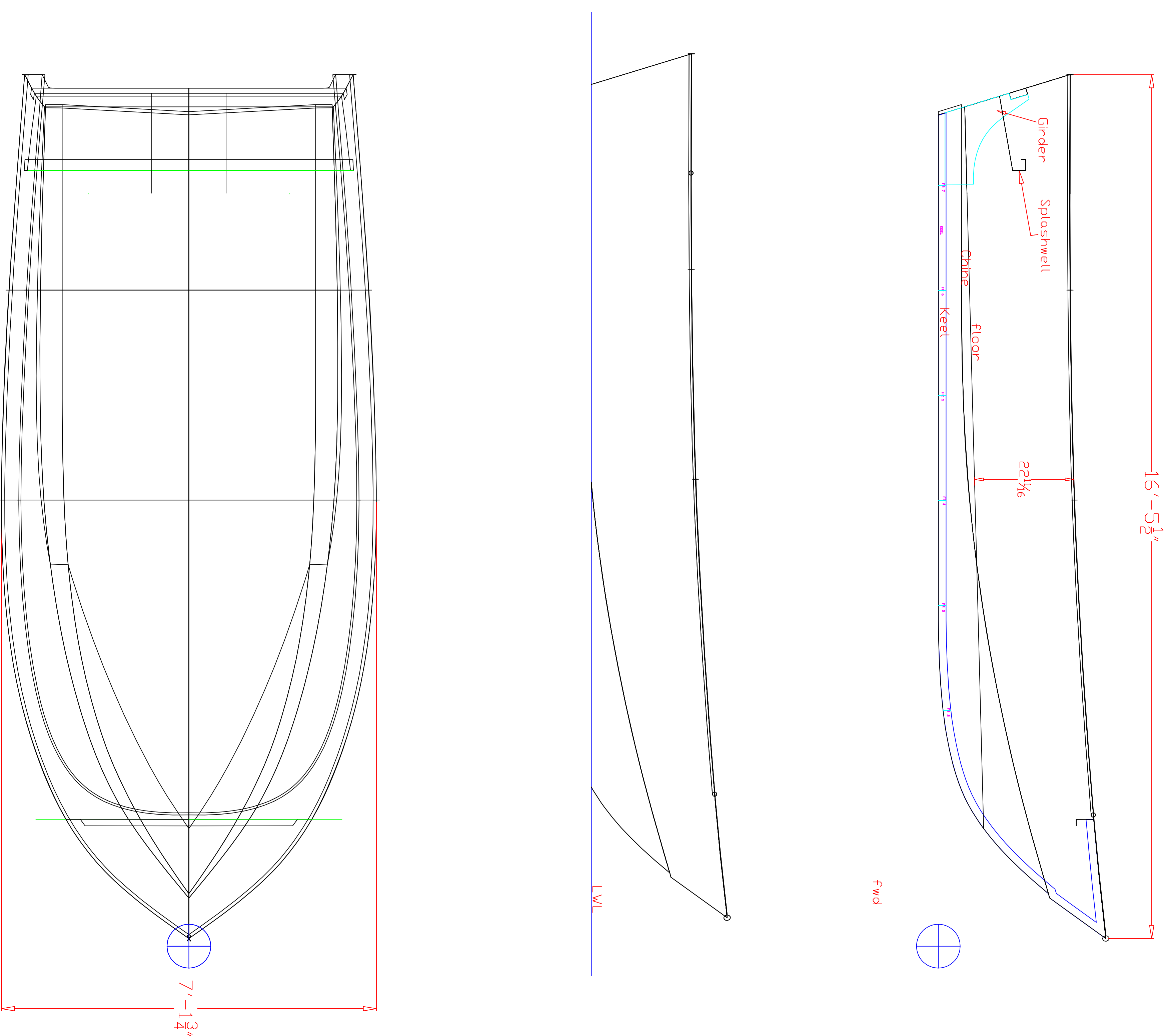


Plate List

Cope - Barkley Sounder 16 Tiller Steering
 16ft 6in ST None Self Baling Floor)
 Feb 3 2016

3/8" Plate:
 2 sheets 1/2 X4ft X20ft --- Alloy 5052 H32
 3 sheets 1/4 X5ft X20ft --- Alloy 5052 H32

3/16" Plate:
 1 sheet 3/8 X5ft X20ft --- Alloy 5052 H32

Total number of plates: 6

Cope - Barkley Sounder 16 Tiller

Steering

(16ft 6in Standard Floor)

Construction - Aluminum

Measurements - Imperial

LDA - 16ft 5 3/4in

Beam - 7ft 3 3/4in

Deadrise - 10.3 degrees

Designed by A.B.COPE LTD.

Designer - Bruce Cope

June 16 2015