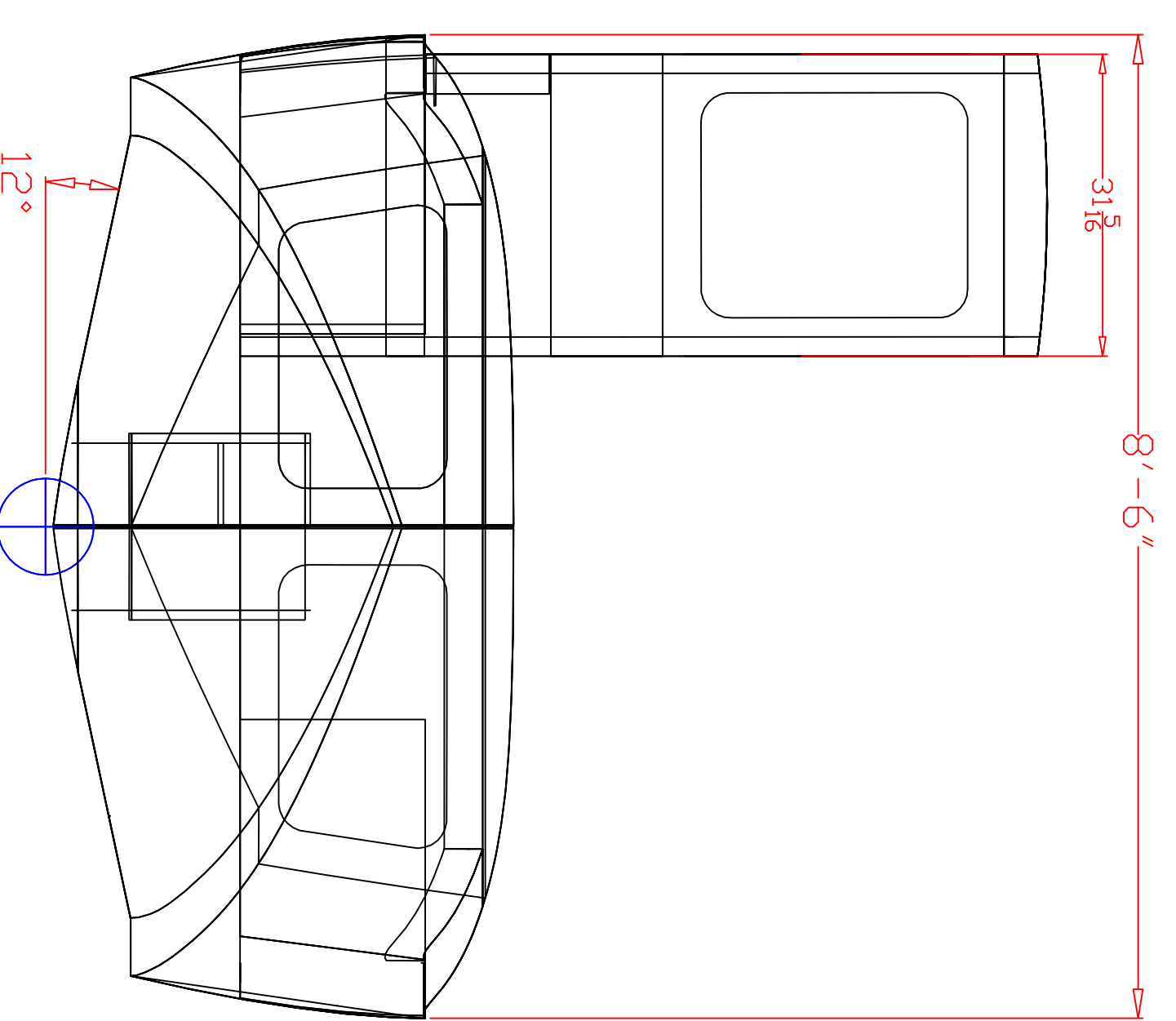
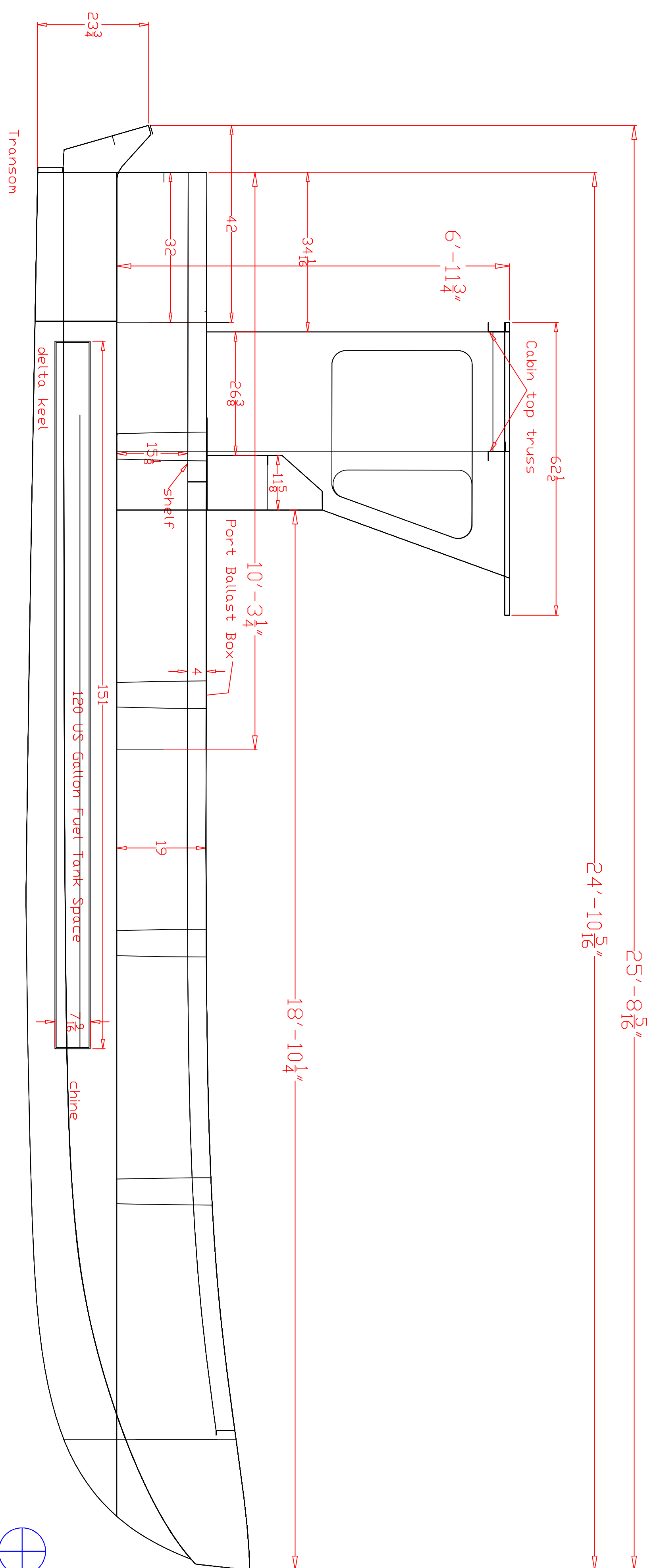


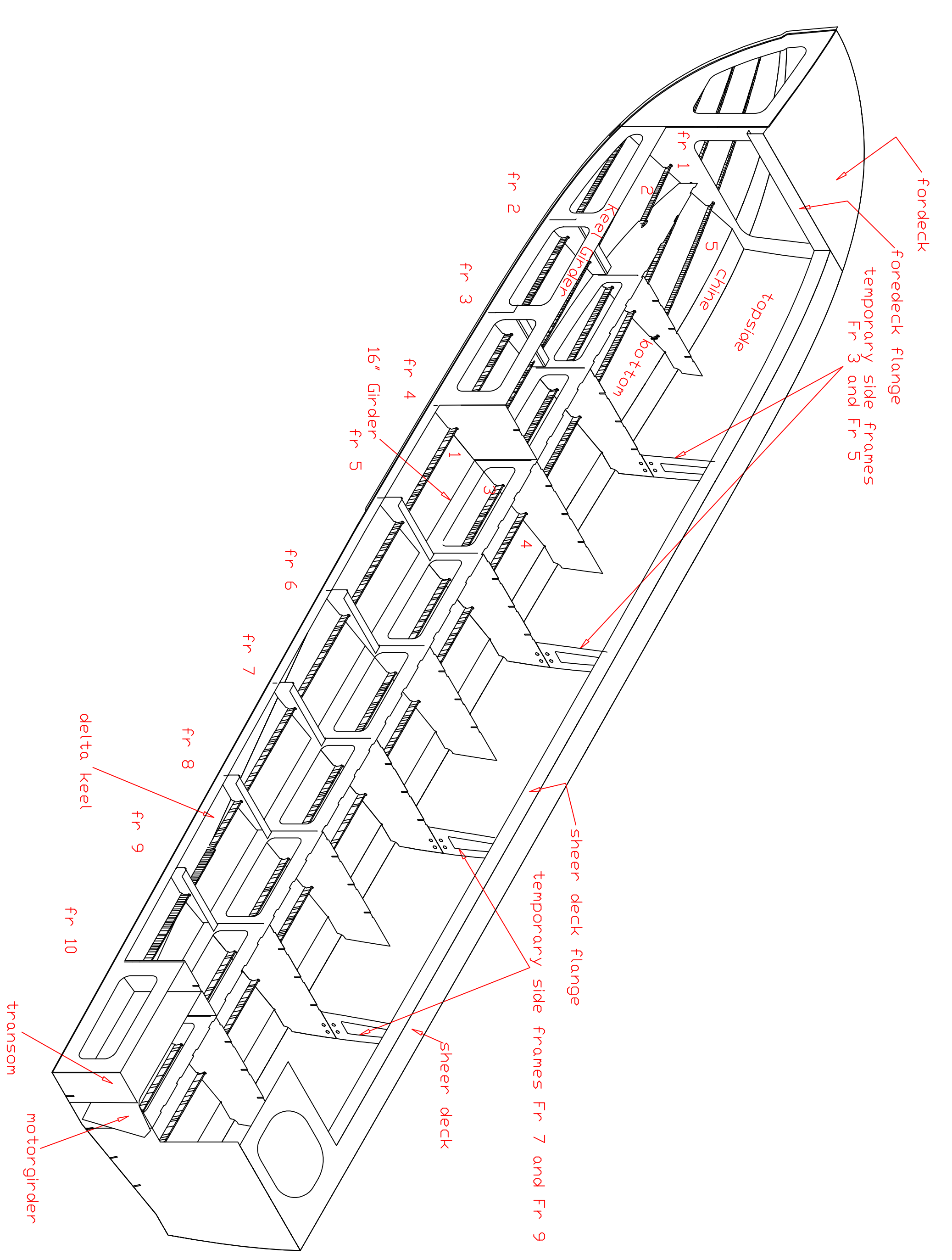
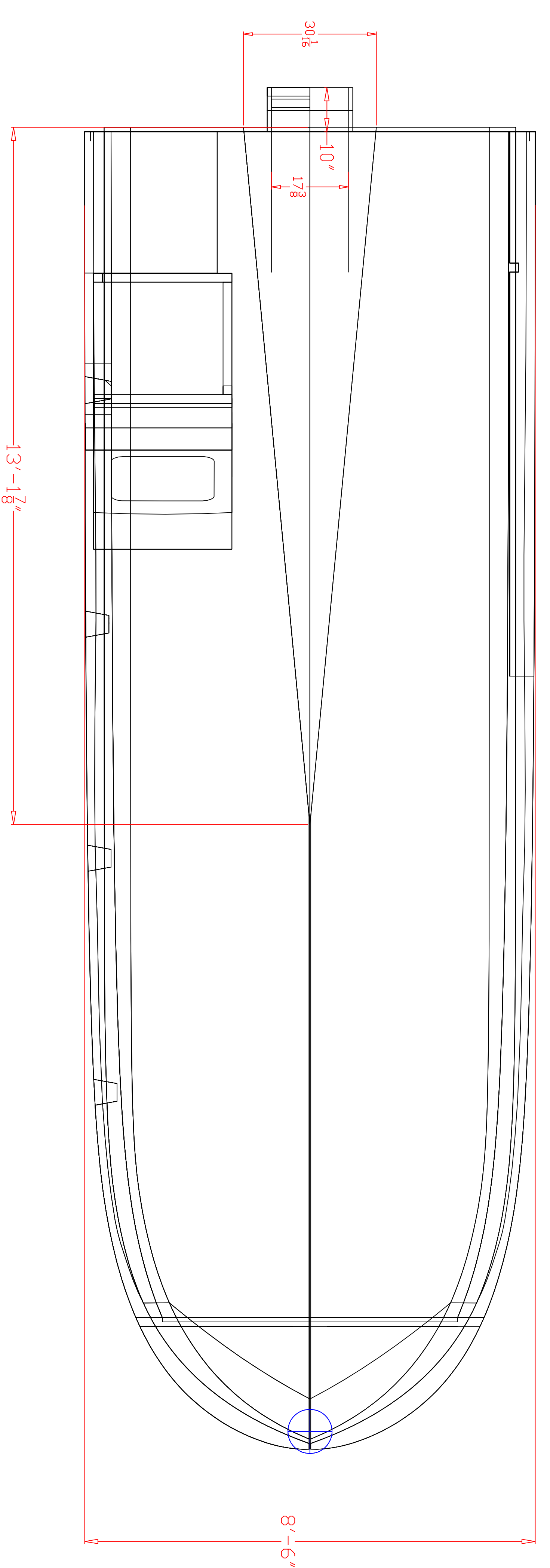
Cope 24ft Work Skiff Study Plan



Aluminum Plate List
Cope 24ft Work Skiff
July 3 2017

- 3" Plate
- 1 sheet = 5ft x 12ft Alloy 5086 H116
- 1/4" Plate
- 1 sheet = 4ft x 10ft Alloy 5052 H32
- 7 sheets = 4ft x 20ft Alloy 5086 H116
- 1 sheet = 5ft x 20ft Alloy 5086 H116
- 3/16" plate
- 1 sheet = 4ft x 25ft Alloy 5052 H32
- 1 sheet = 4ft x 20ft Alloy 5052 H32
- 1 sheet = 6ft x 25ft Alloy 5052 H32
- 5/32" Plate
- 1 sheet = 5ft x 20ft Alloy 5052 H32
- 1 sheet = 5ft x 8ft Alloy 5052 H32

There is a total of 15 sheets



Cope 24ft Work Skiff
Length-----24ft 10"
LDA to motor pod-----25ft 8-3/8in
Beam-----8ft 6in
Draft-----12 degrees
Displacement-----3,672 Lbs.
Max. Cargo-----4,765 Lbs.
Power-----Single Outboard 200-250 Hp.