

COPE 22FT X 9FT RUNABOUT STUDY PLAN

Extrusion List
Cope 22ft 9ft Runabout
October 13 2015

Plate List

Cope 22ft 9ft Runabout
October 13 2015

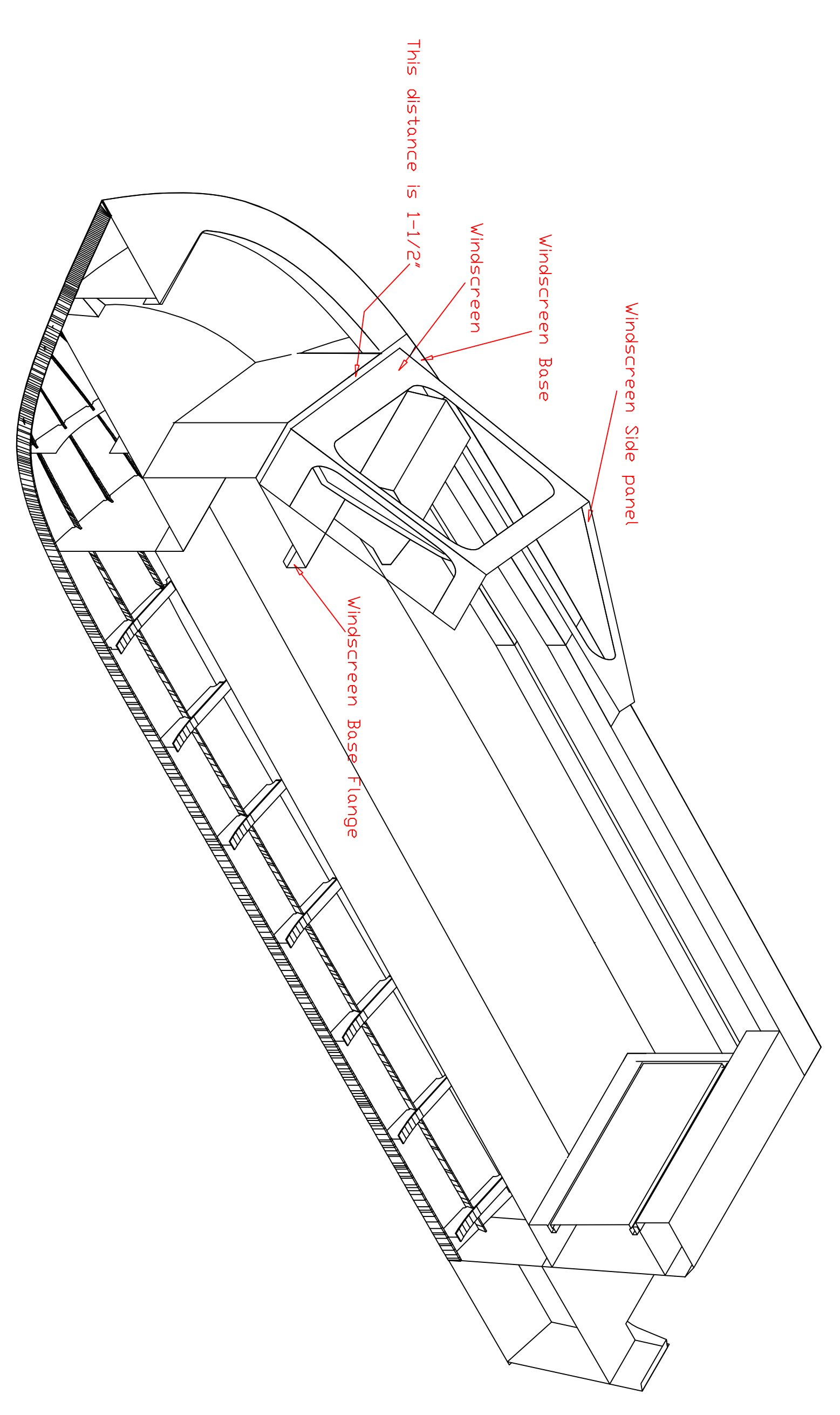
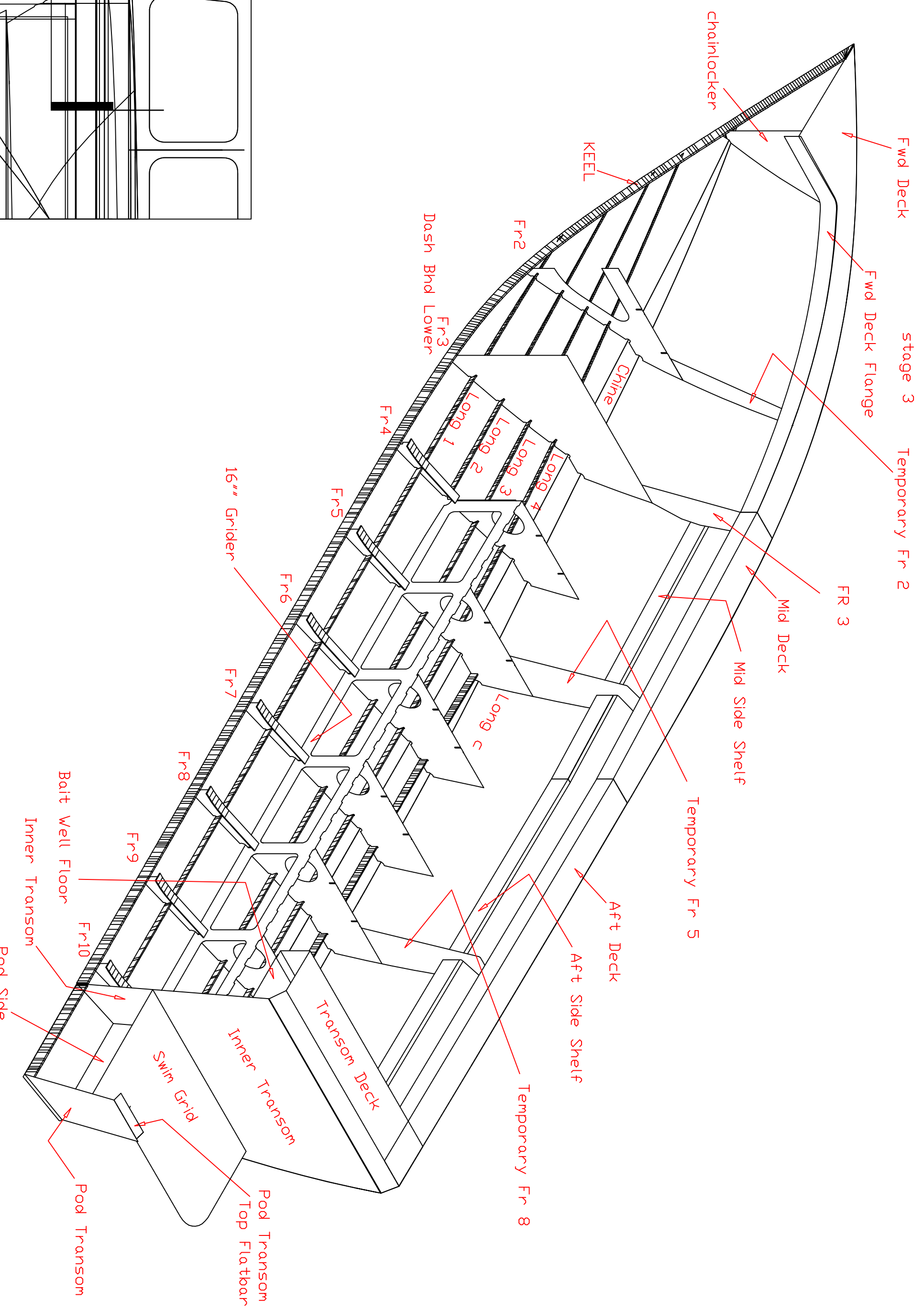
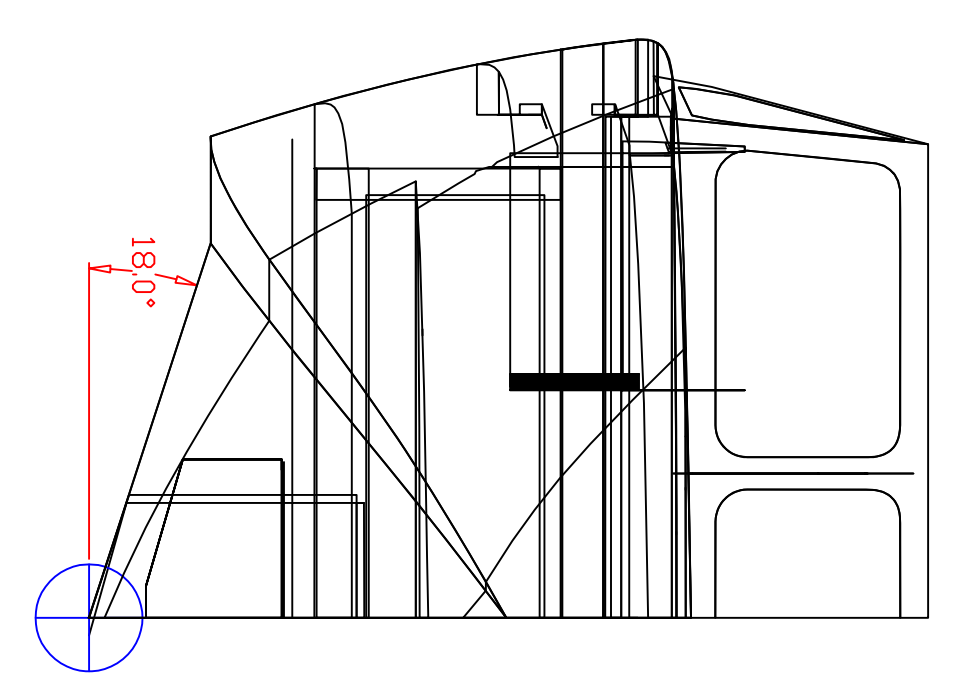
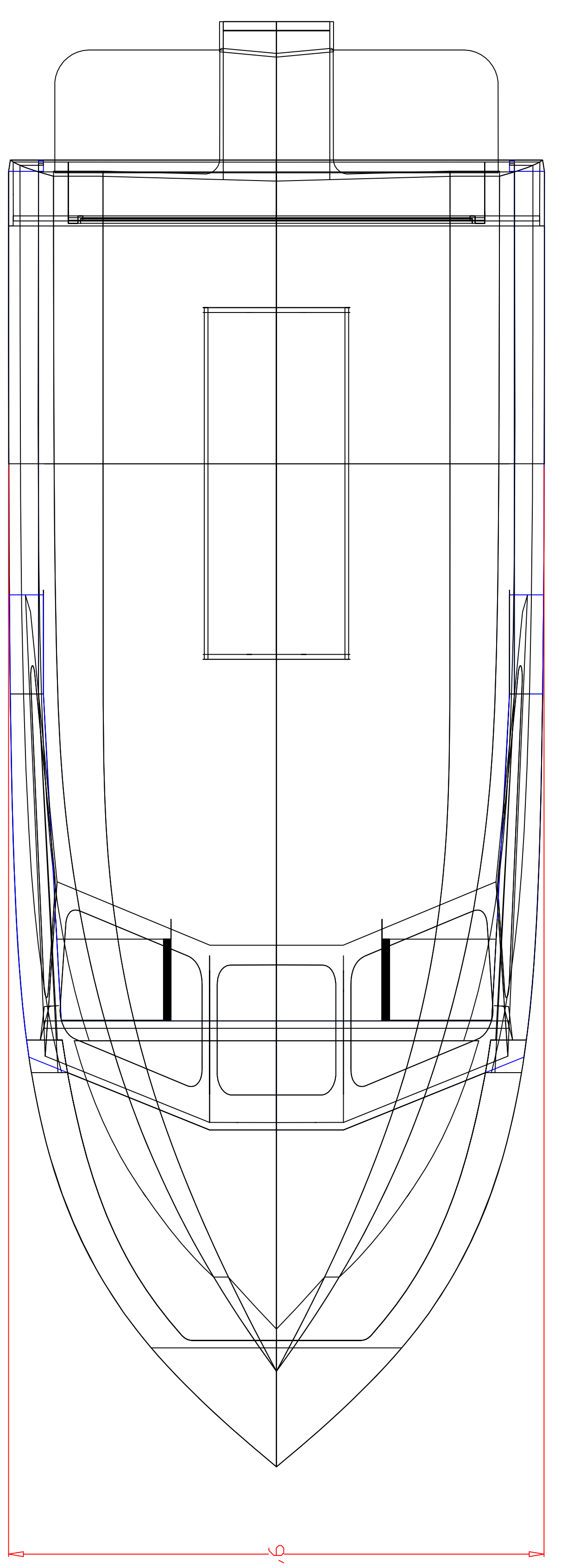
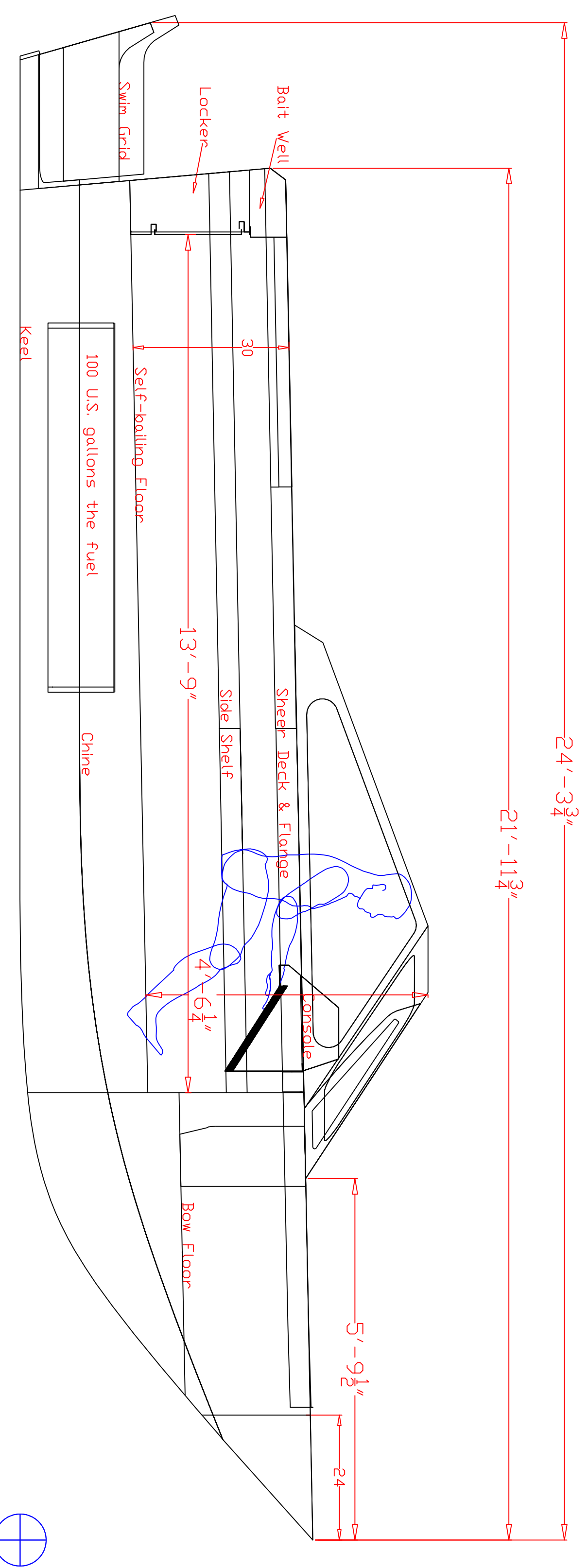
Flat Bar
1- 1/2" x 2-1/2" FLATBAR - 20ft length - 6061 T6
1 sheet 1x5ft x25ft 5086 H16
2 sheets 1x5ftx20ft 5086 H16
1 sheet 1x5ftx10ft 5086 H16

Angle Bar
9- 1/8" x 1-1/2" ANGLE BAR - 20ft Length - 6061 T6
2 sheets 3/4x4ftx25ft 5086 H16
1 sheet 1/2x5ftx20ft 5082 H32
2 sheets 1/2x4ftx20ft 5082 H32

Sheet
4 sheets 1/2x4ftx20ft 5082 H32
4 sheets 1/2x5ftx20ft 5082 H32

JIG PARTS
1 sheet 1/4x4ftx10ft 5052 H32
1 sheet 1/4x4ftx20ft 5052 H32
1 sheet 100x4ftx10ft 5052 H32

There is a total of 19 sheets



Cope :22ft x 9ft Runabout

Length hull-----21ft 11-3/4in
Length DA including swimrid= 24ft 3-3/4in
Beam-----9ft
Power-----Single 225hp Yamaha
Draft-----18 degree

Designed by ABGCOPE LTD
Designer--Bruce Cope
October 2015