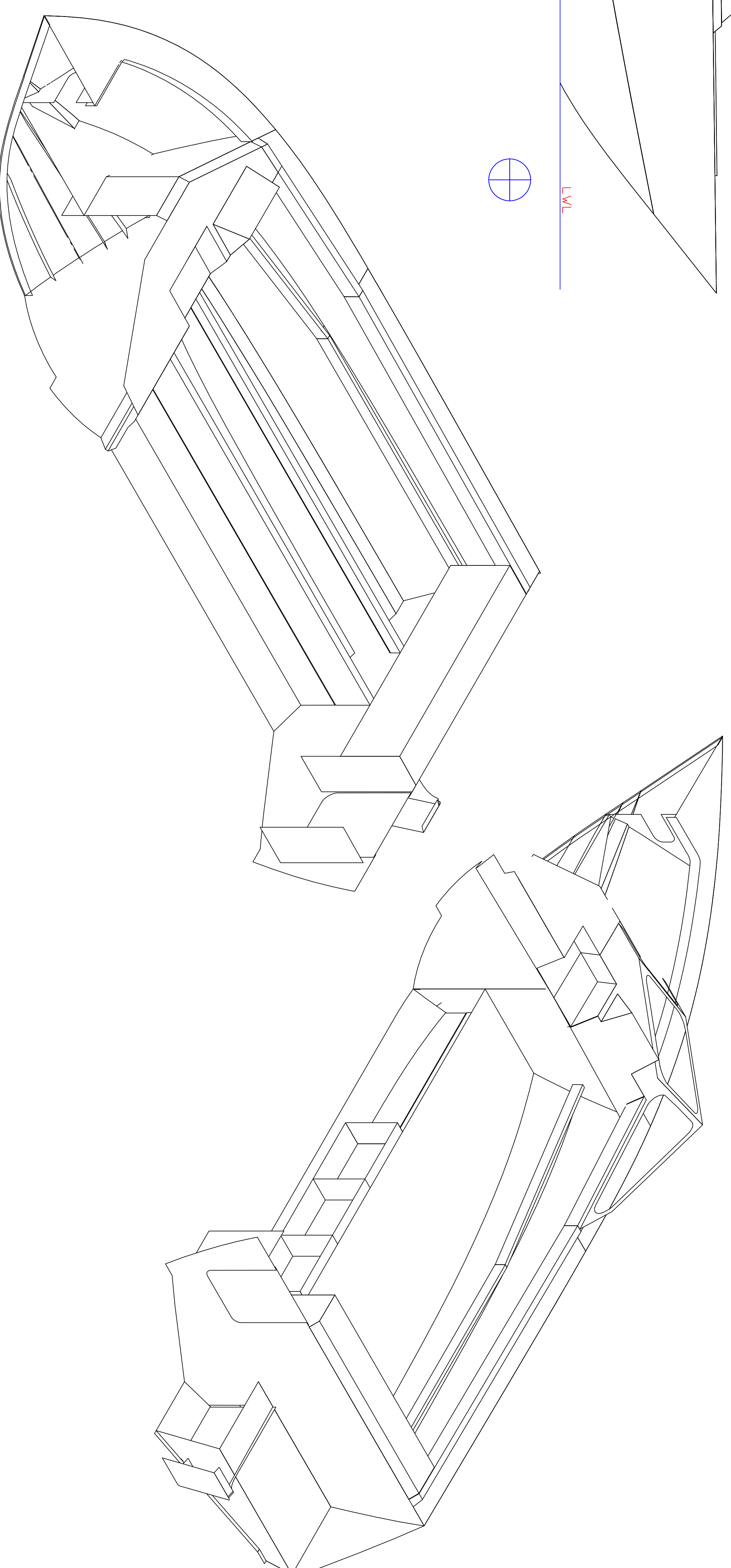
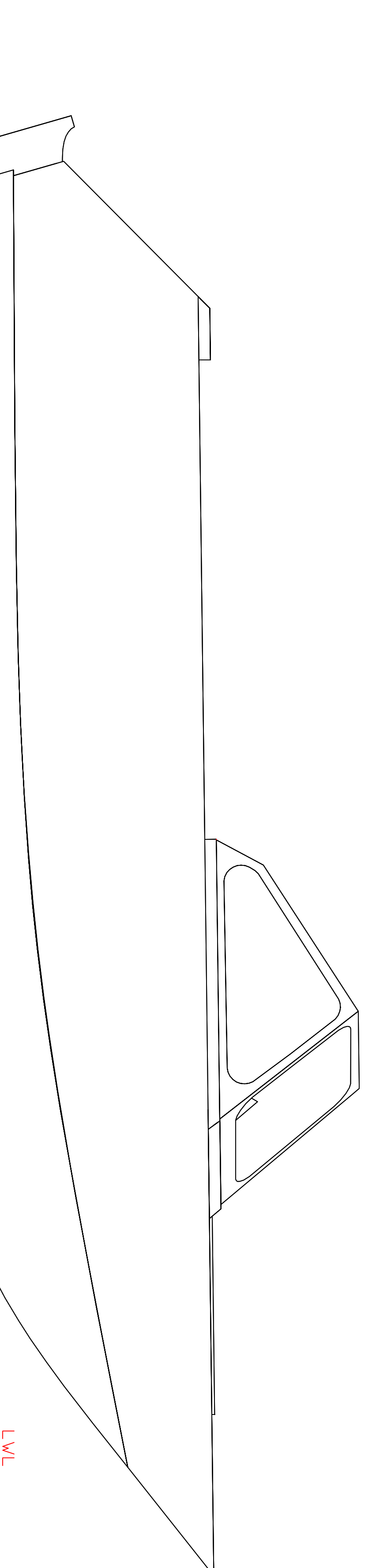
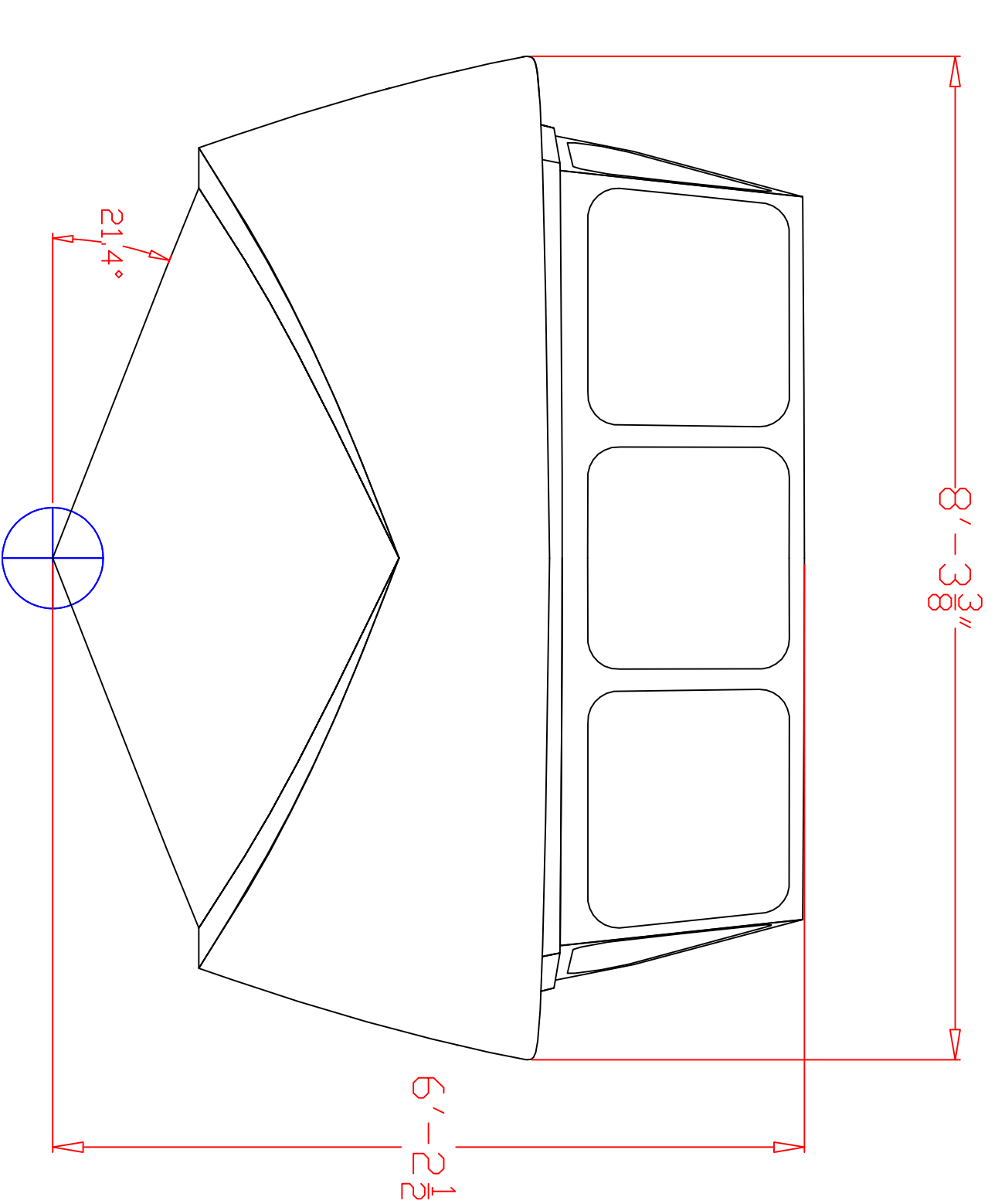
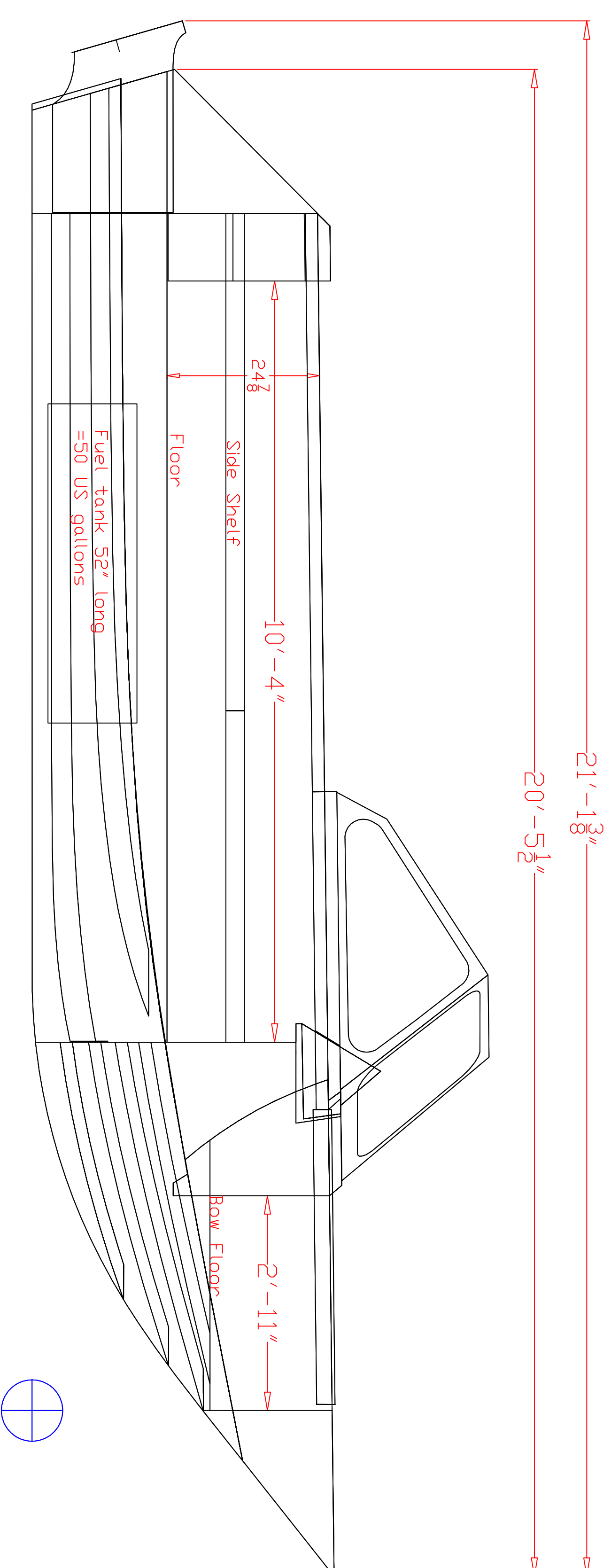


# Cope 21ft Savary Island Bowrider Study Plan

Plate List  
Cope 21ft Savary Island Bowrider  
Single Outboard Model  
Feb 2 - 2015

- 1/8" sheet 1/8"x4ftx24ft-----S086 H116
- 3/8" plate 3/8"x4ftx8ft----- S086 H116
- 1/4" sheet 1/4"x4ft x10ft ----- S086 H116
- 3/8" sheet 3/8"x4ftx24ft----- S086 H116
- 3 sheets 3/8"x4ftx20ft----- S052 H32
- 3/8" sheet 3/8"x4ftx20ft----- S052 H32
- 1 sheet 3/8"x6ftx20ft ----- S052 H32
- 2 sheet 3/8"x4ftx12ft-----S052 H32

There is a total of 14 sheets



Cope 21ft Savary Island Bowrider  
Construction-Aluminum  
Measurements-Imperial

LDA-----21ft 1in  
Beam-----8ft 3in  
Draft-----21 degrees

Designed by A.B.COPE LTD,  
Designer-Bruce Cope  
February 2 2015 scale--3/4\"/>