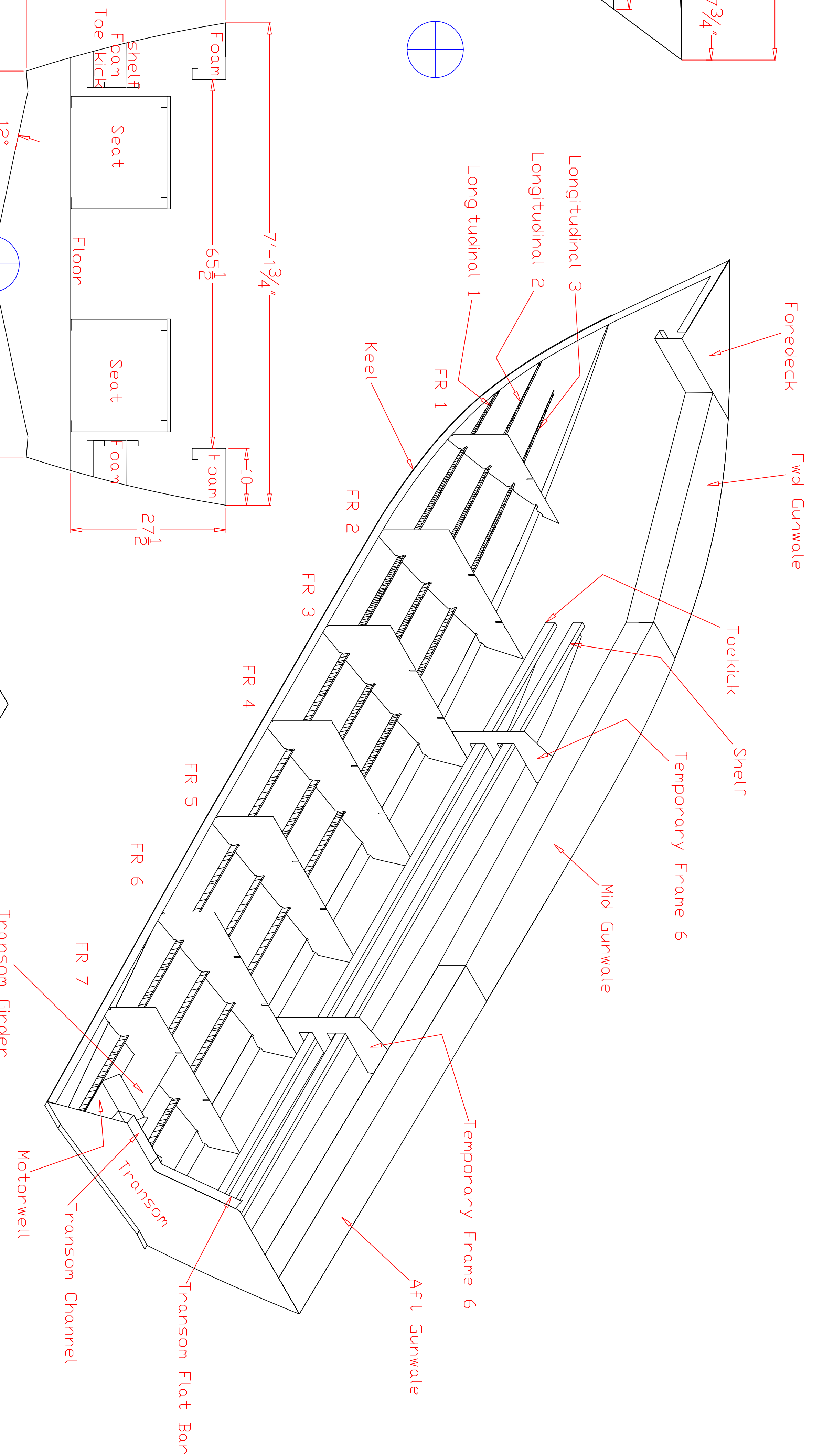
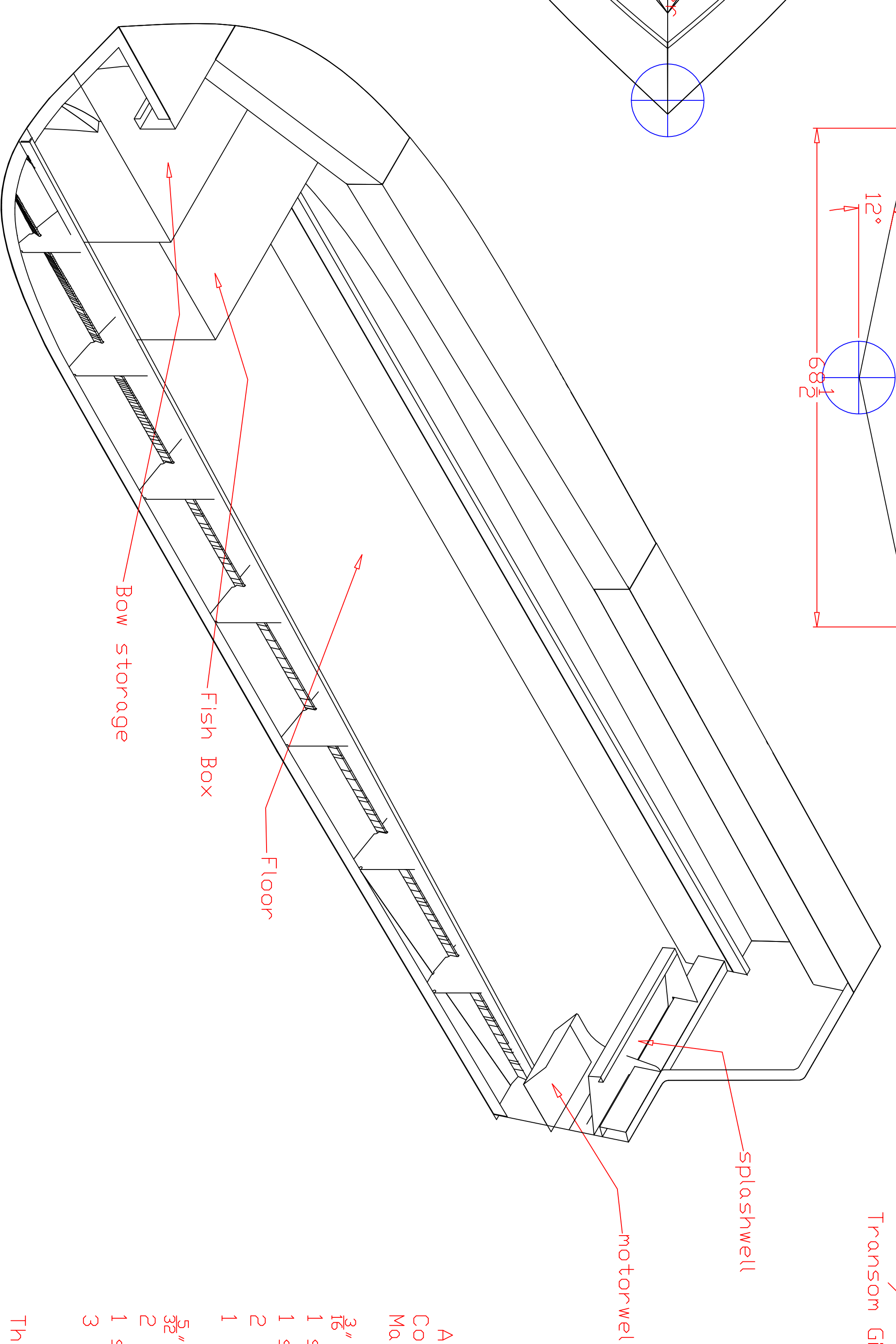
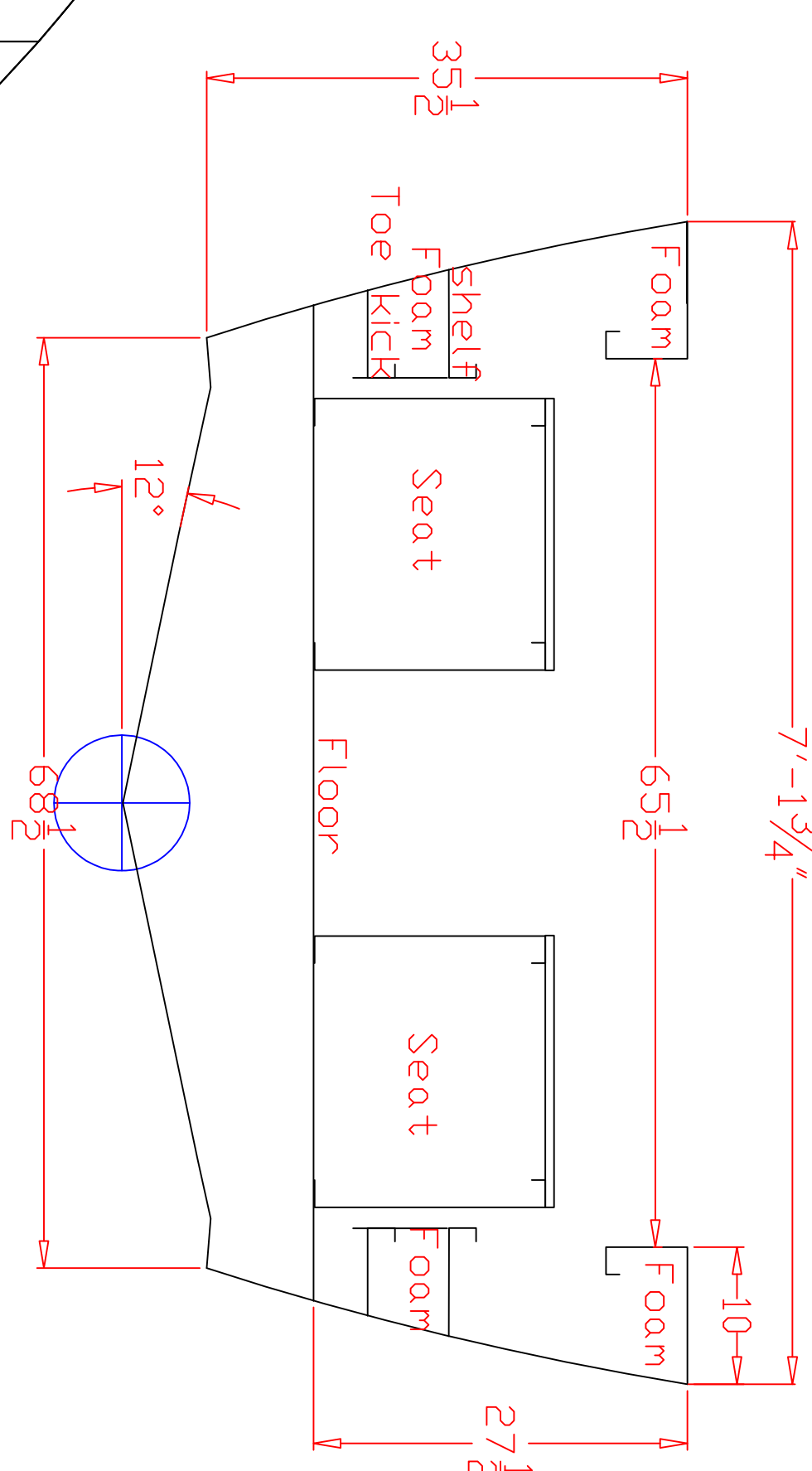
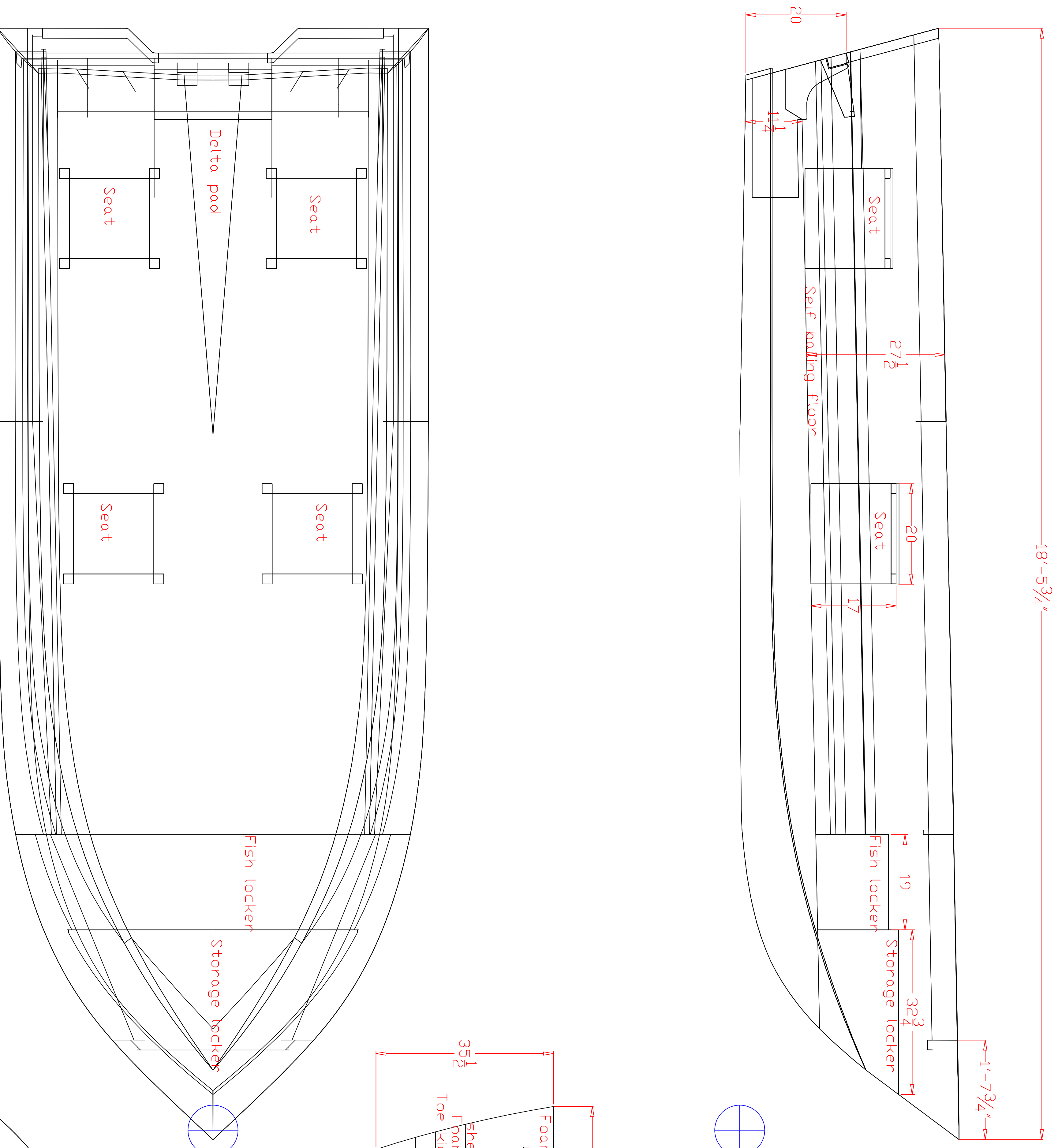


Cope 18ft 6inch 12 degree deadrise Open Skiff with self bailing floor Study Plan



Cope 18ft 6in.
12 Degree Deadrise Open Skiff

Length Hull-----18ft 6in
Beam-----7ft-2in, 9ft 6in.
Power-----single 60 hp, Outboard
Lightship-----1550lbs
Fully Loaded-----2133lbs

Designed by A.B.COPE LTD.
Designer--Bruce Cope
February 20 2016

- Aluminum Plate List
Cope 18ft 6in 12 deg Open Skiff
March 12 2016
- 1 3/8" plate
 - 1 sheet 3/8"x4ftx8ft-----5086 H116
 - 1 sheet 1/2"x5ftx20ft-----5052 H32
 - 2 sheets 3/8"x4ftx20ft-----5086 H116
 - 1 sheet 1/2" x 5ft x 12ft 5052 H32
 - 3/8" sheet
 - 2 sheets 3/8"x4ftx20ft-----5086 H116
 - 1 sheet 3/8" x 4ft x 20ft---5052 H32
 - 3 sheet 3/8" x 5ft x 20ft ----5052 H32
- There is a total of 11 sheets