

COPE 17FT RUNABOUT STUDY PLAN

Aluminum Plate List
Cope 17ft Runabout
August 9 2016

3" Plate
1 sheet 4ftx20ft Alloy 5086 H116

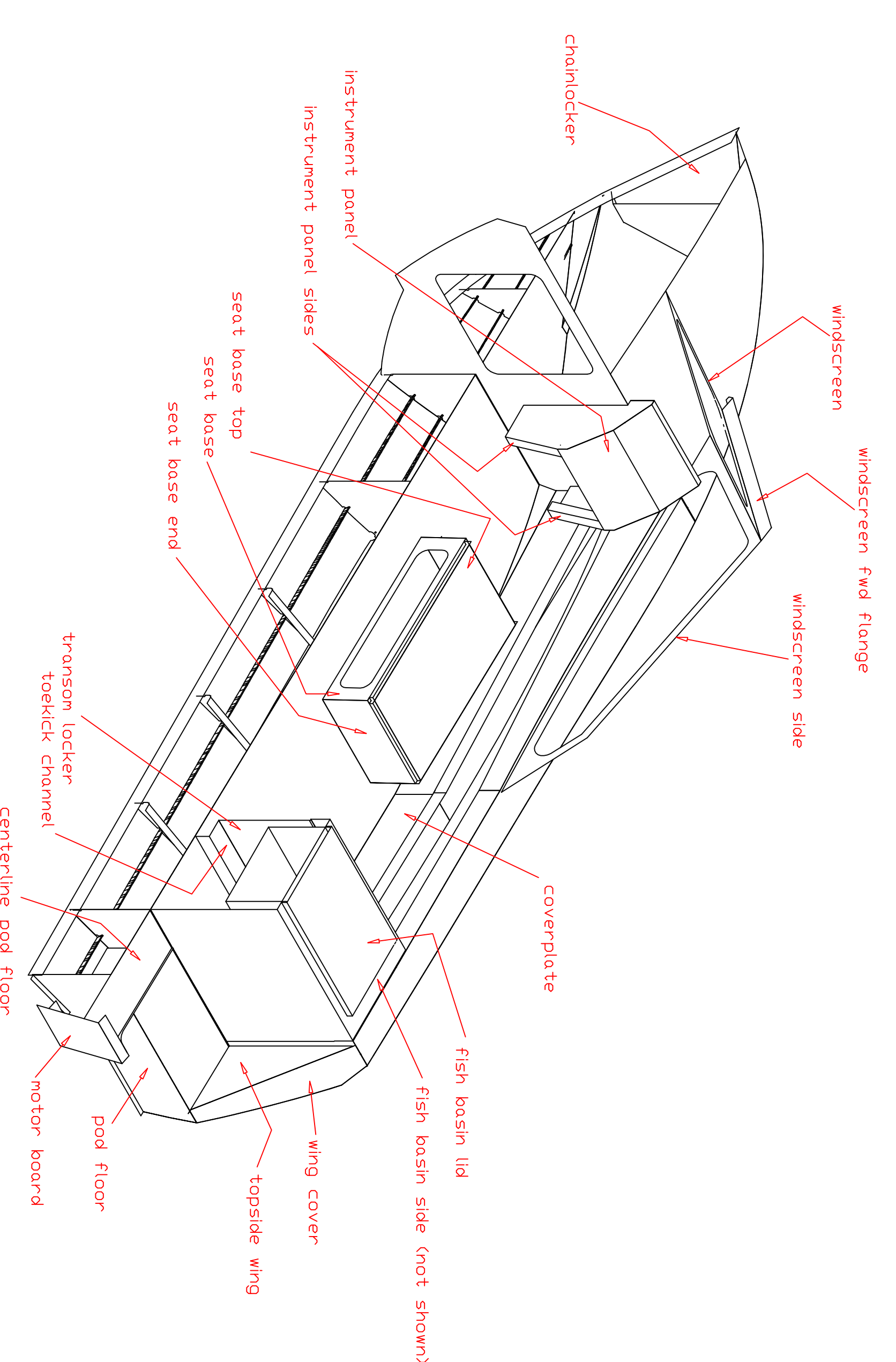
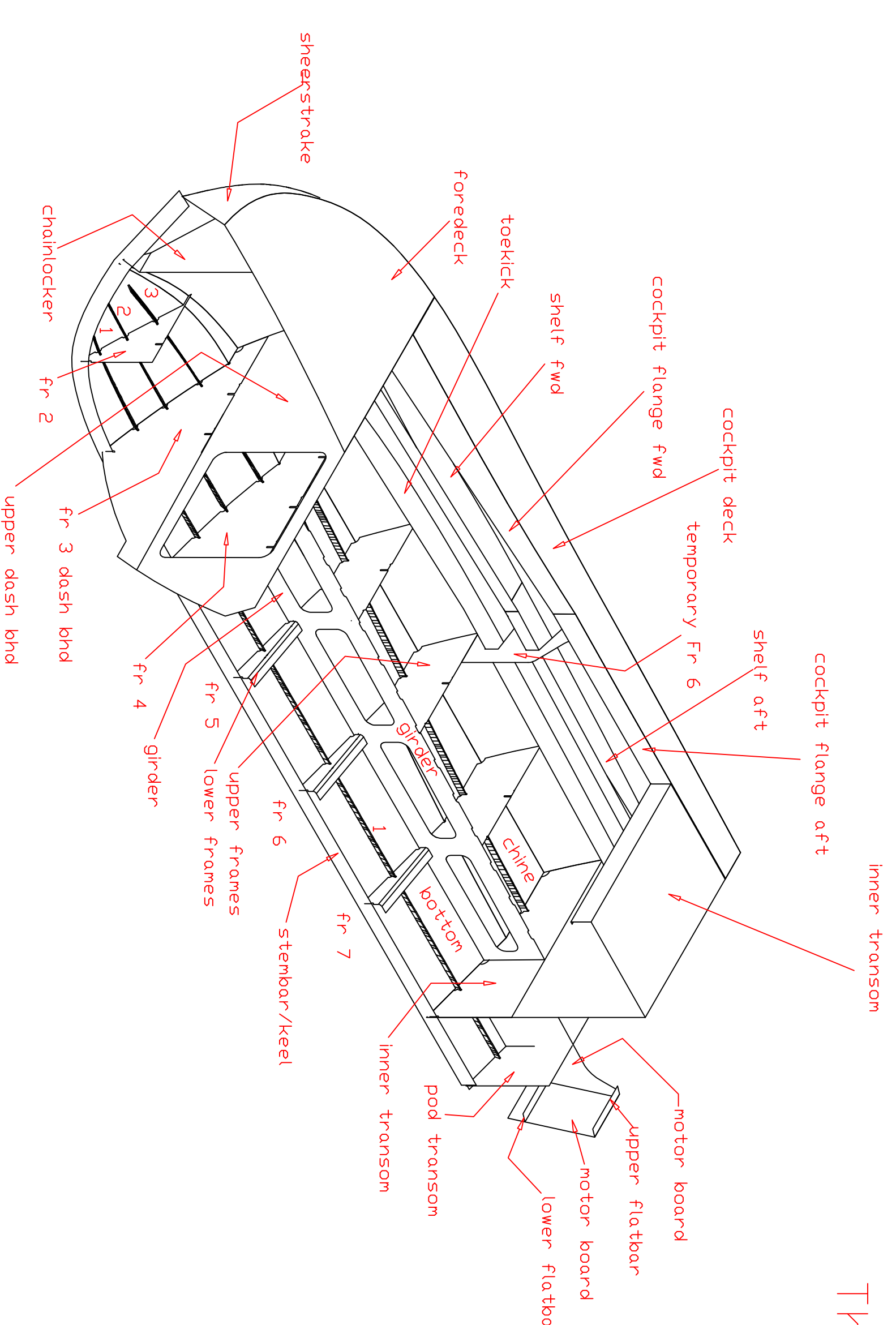
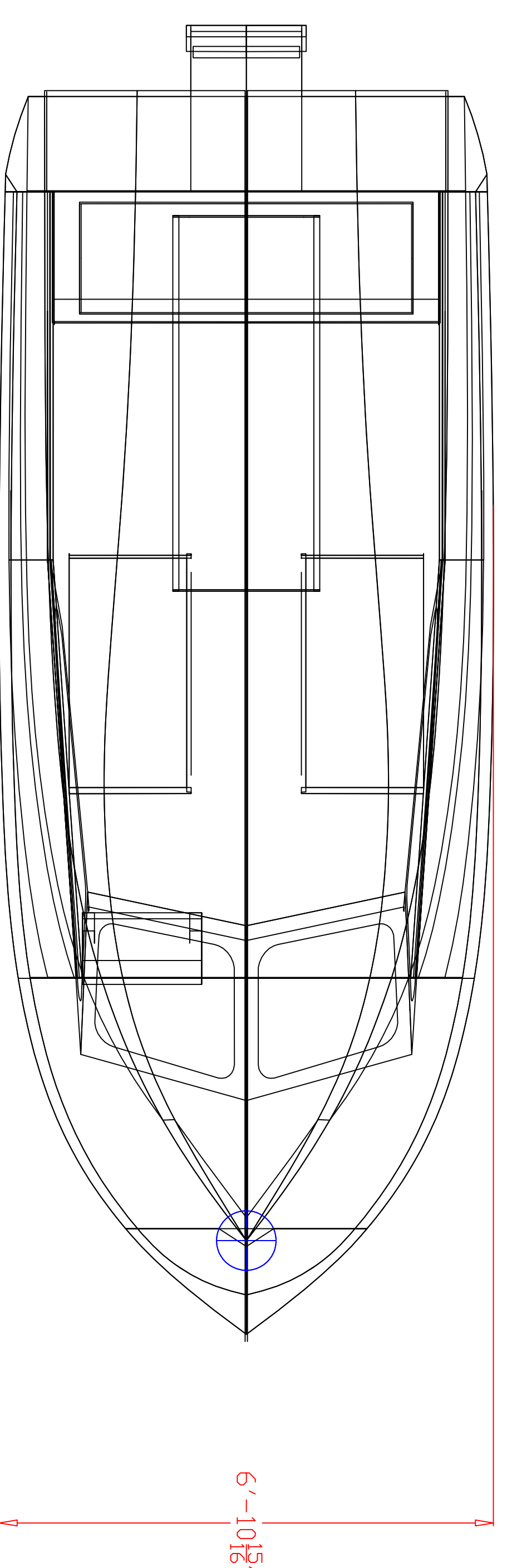
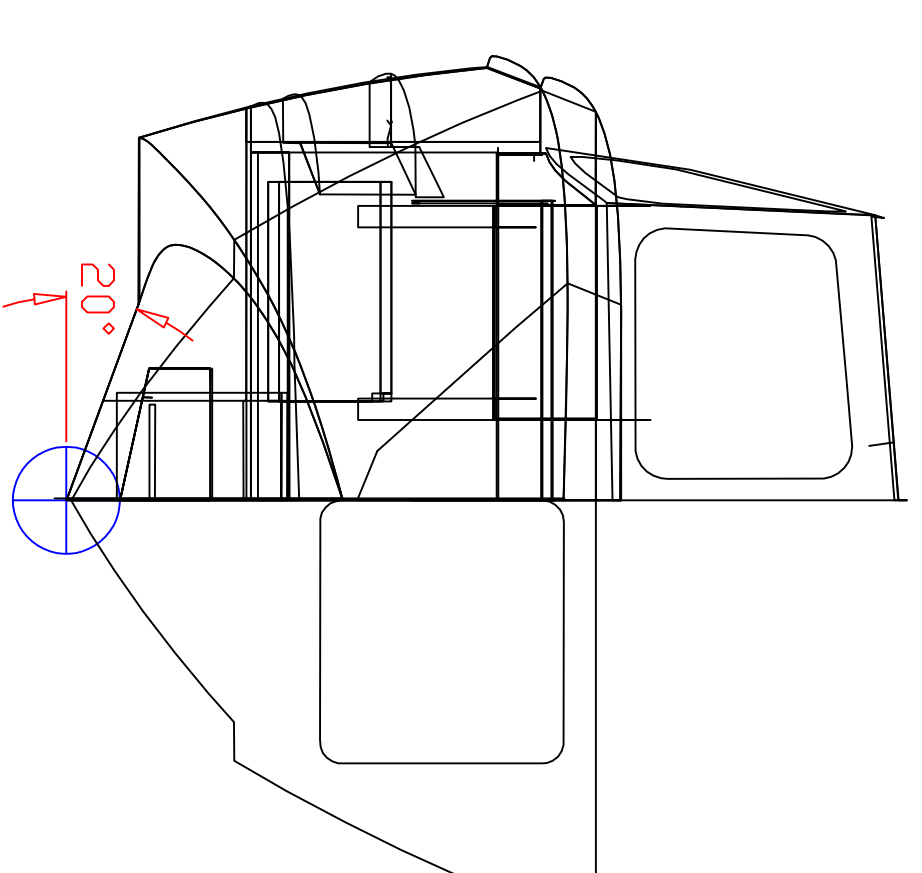
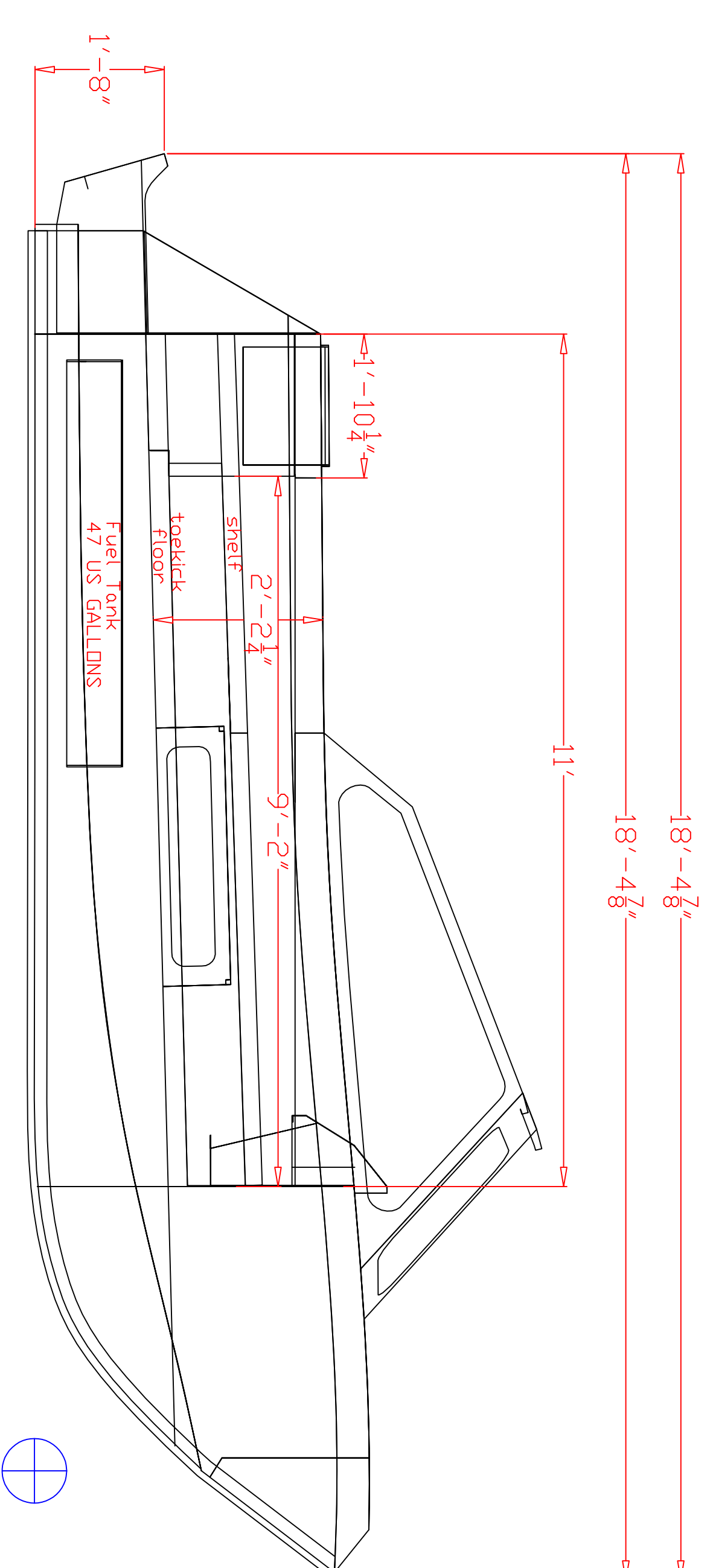
3/16" plate
1 sheet 4ftx20ft Alloy 5086 H116
1 sheet 5ftx20ft Alloy 5086 H116
1 sheet 5ftx20ft Alloy 5052 H32

5/32" Plate
3 sheets 4ftx20ft Alloy 5052H32

1/8" Plate
2 sheets 4ftx20ft Alloy 5086 H116
1 sheet 6ftx20ft Alloy 5052 H32
1 sheet 5ftx20ft Alloy 5052 H32

.100" Plate
1 sheets 4ftx20ft Alloy 5052 H32

There is a total of 12 sheets



Cope 17ft Runabout

Length over all-----18ft 5/8
Deadrise ----- 20 degree
Beam----- 7ft
Power----- Yamaha 70hp

Designed by ABGPE LTD.
Designer-Bruce Cope
August 8 2016