

# Cope 12-14ft Bay Skiff Study Plan

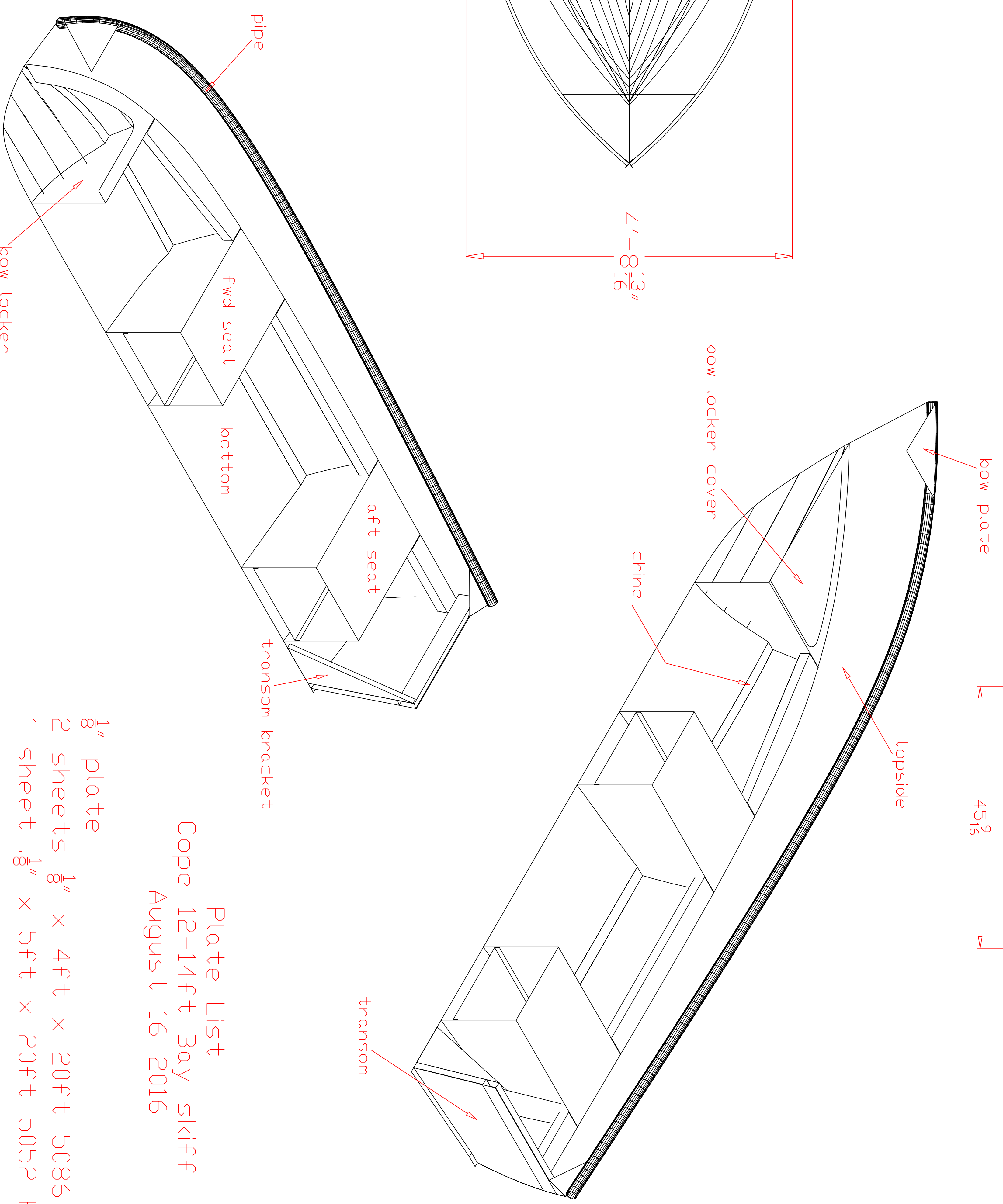
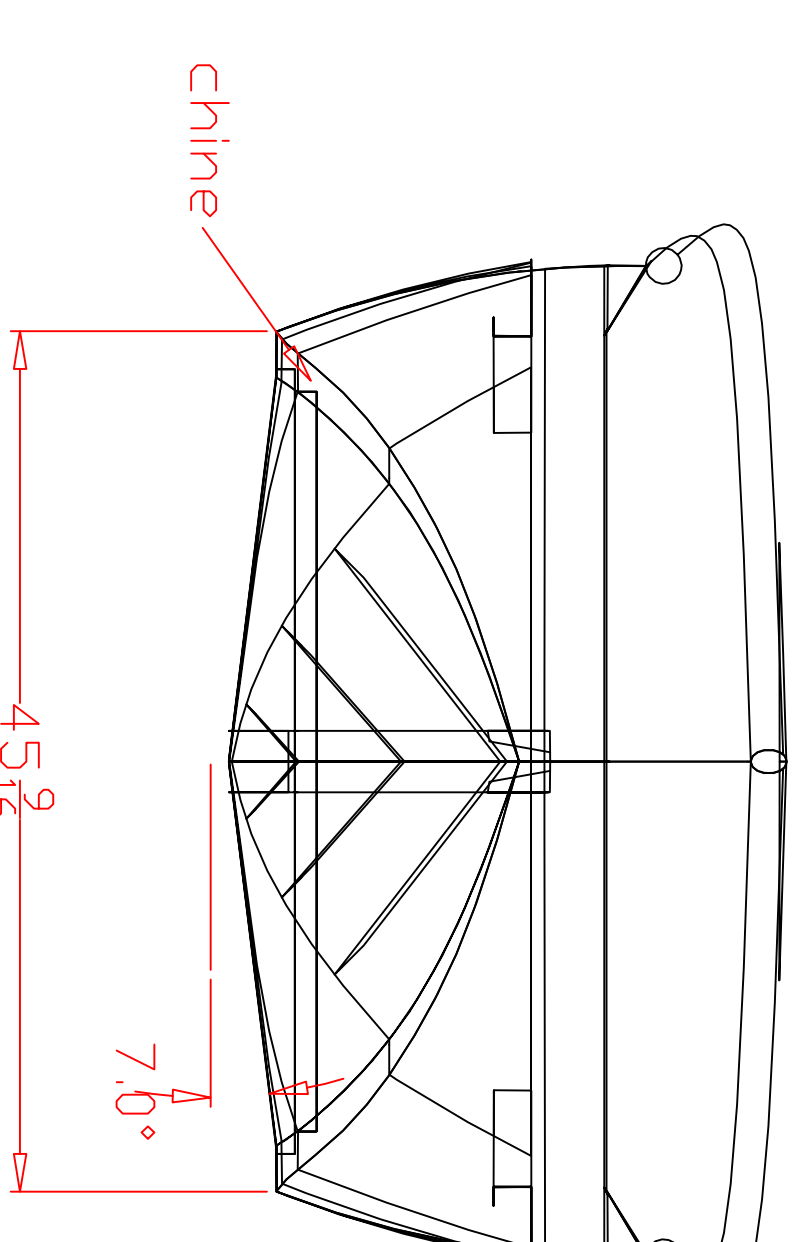
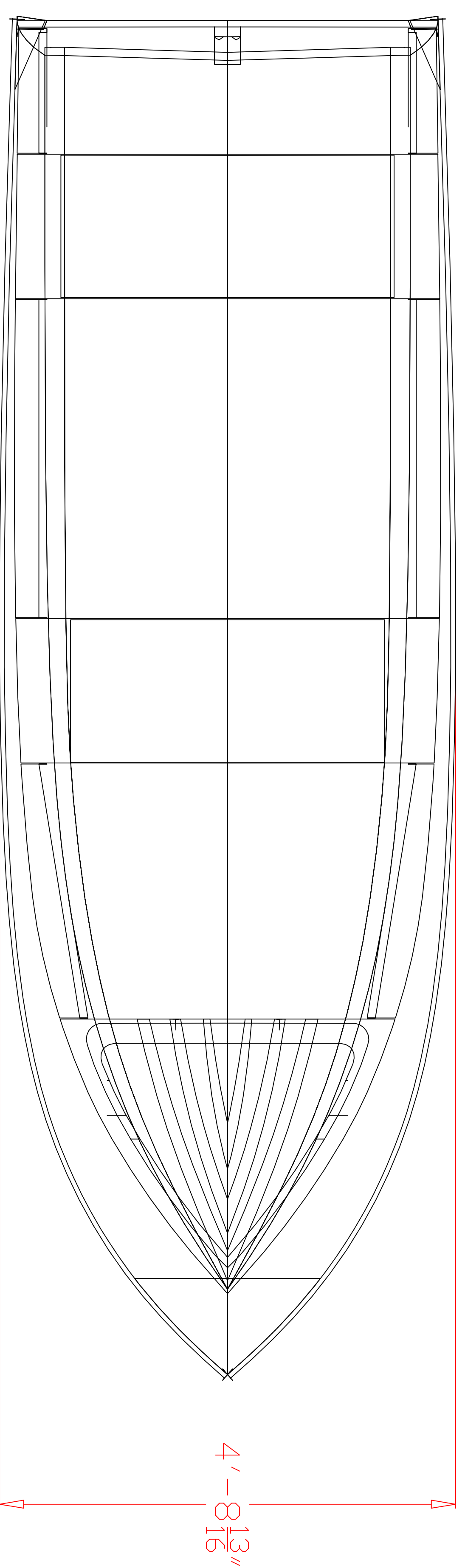
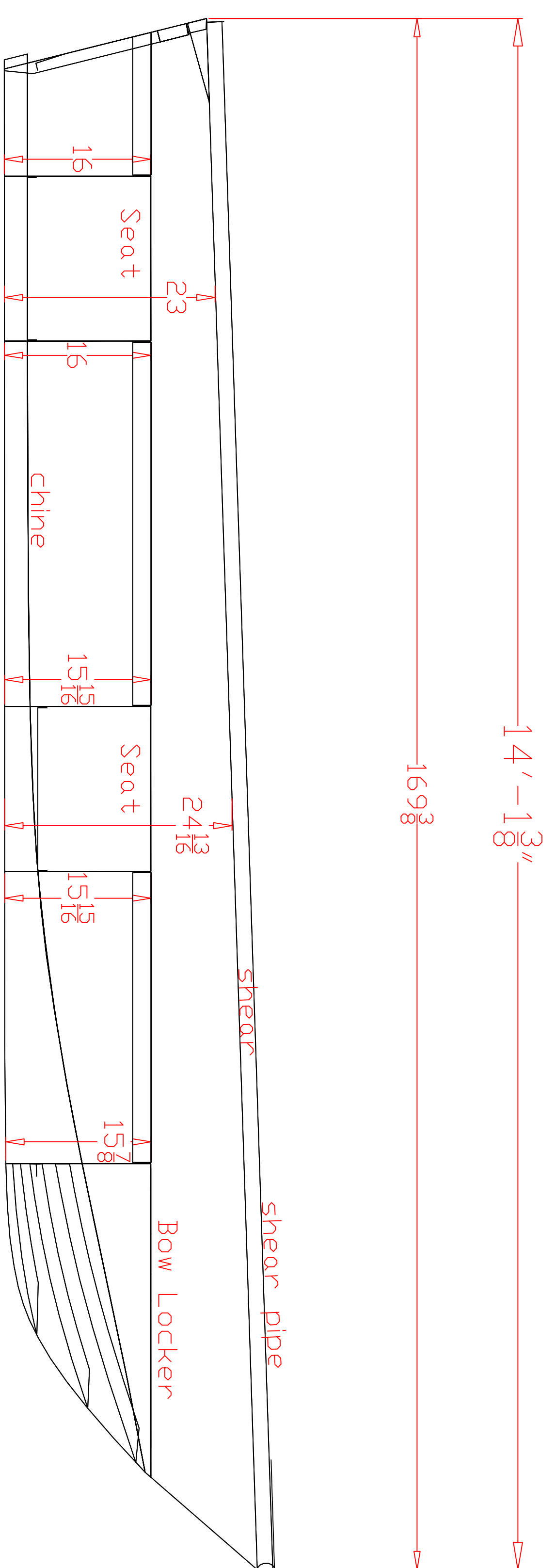


Plate List  
Cope 12-14ft Bay Skiff  
August 16 2016

- 1/8" plate
  - 2 sheets 1/8" x 4ft x 20ft 5086 H116
  - 1 sheet 1/8" x 5ft x 20ft 5052 H32
- There is a total of 3 sheets

Cope 12-14ft Bay Skiff  
Study Plan

Length over all----- 14ft-1-3/8in  
 Deadrise ----- 7 degree  
 Beam----- 4ft 9in  
 Bottom width----- 45-9/16in  
 Designed by A.B.COPE LTD.  
 Designer--Bruce Cope  
 August 17 2016