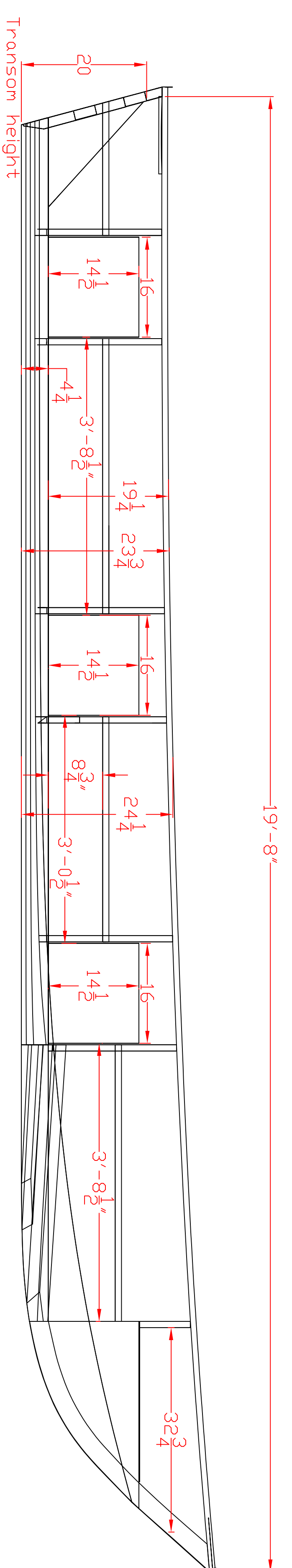
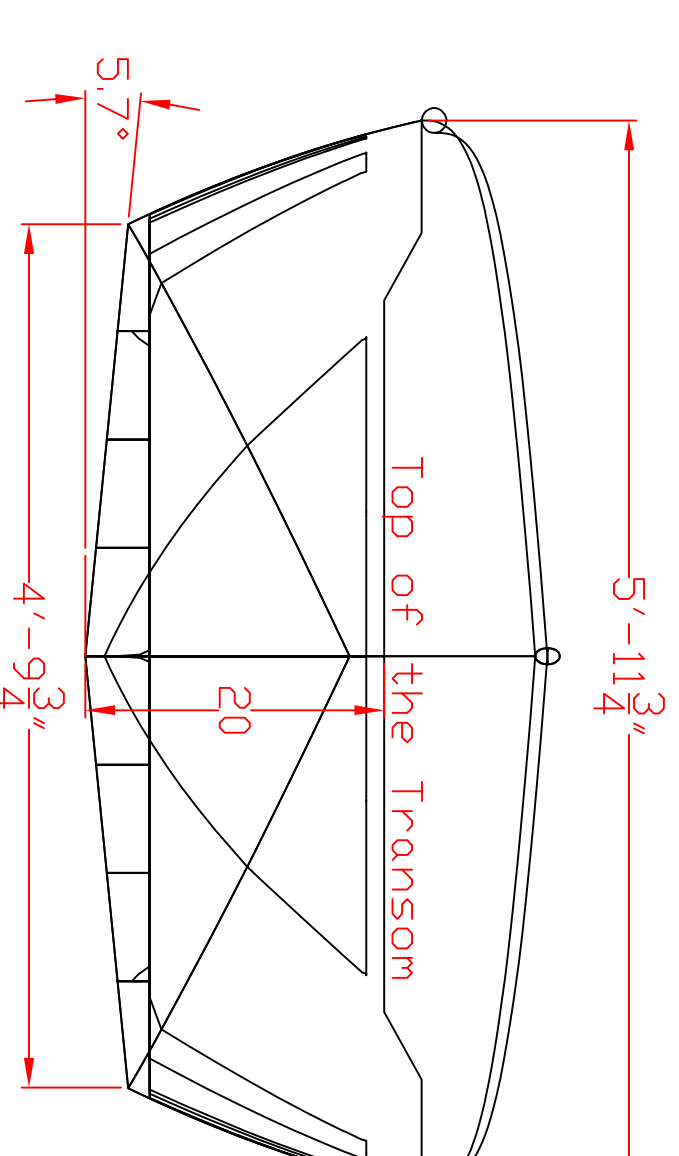
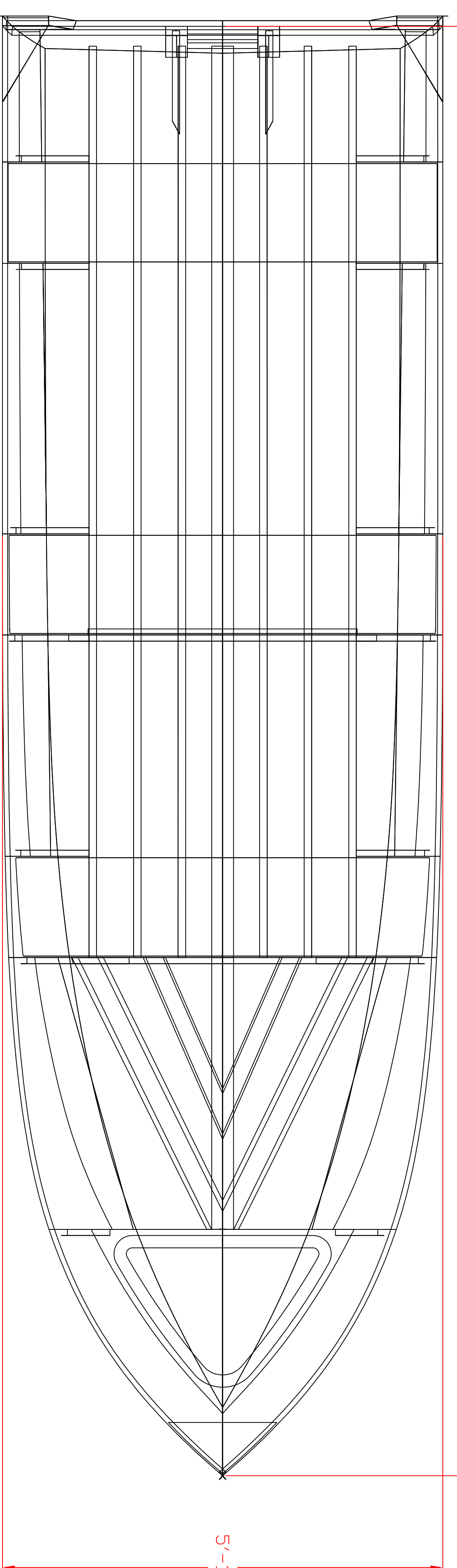


Cope Amazon River 19 19ft 8in Open Skiff Study Plan



19'-8"

5'-11 3/4"

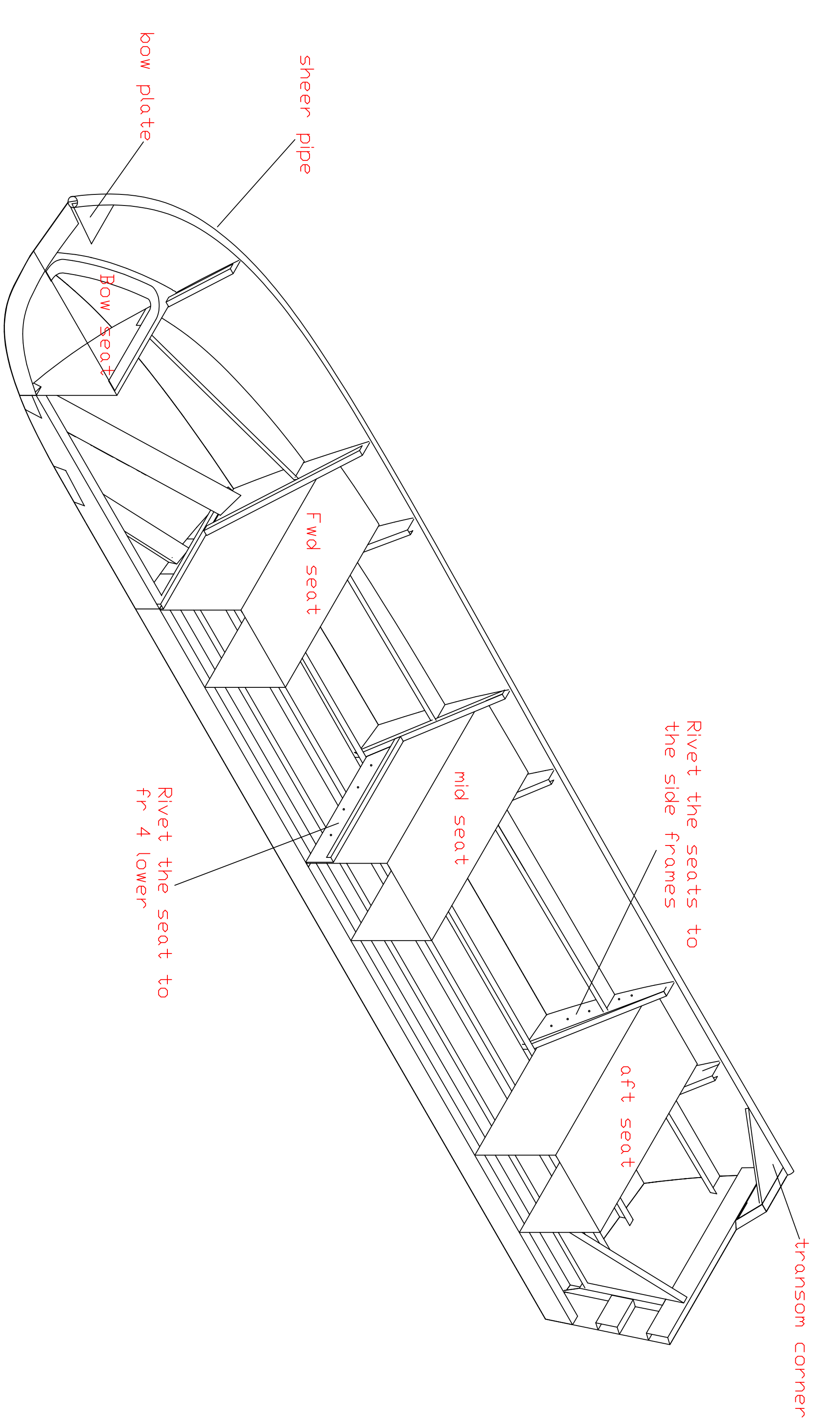


Extrusion List
Cope Amazon River 19
(19ft 8 in. Open Skiff)
Single Outboard Model
Oct 2012
All lengths are 20ft.

Plate List
Cope Amazon River 19
(19ft 8in. Open Skiff)
Single Outboard Model
Oct -2012

3/8" plate
1 sheet 3/8"x4ftx8ft 5086 H116
1/4" sheet
3 sheets 1/4"x4ft x20ft 5086 H116
1 sheet 1/4"x4ftx20ft 505052 H32
3/8" sheet
1 sheet 3/8"x5ftx20ft 5086 H116
1 sheet 3/8"x4ftx12ft 5052 H32
3/8" sheet
2 sheets 3/8"x5ftx25ft 5086 H116
3 sheets 3/8"x5ftx20ft 5052 H32
1 sheet 3/8"x5ftx12ft 5052 H32
1/8" sheet
1 sheet 1/8"x6ftx10ft 5052 H32
.063" sheet
1 sheet .063x4ftx10ft 5052 H32

There is a total of 15 sheets



Cope Amazon River 19
19ft 8in Open Skiff

Length-----19ft 8in
Beam-----6ft
Power---outboard 25hp to 40 hp
Deadrise-----5.7 degrees

Designed by ABCOPE LTD.
Designer--Bruce Cope
Oct-2012