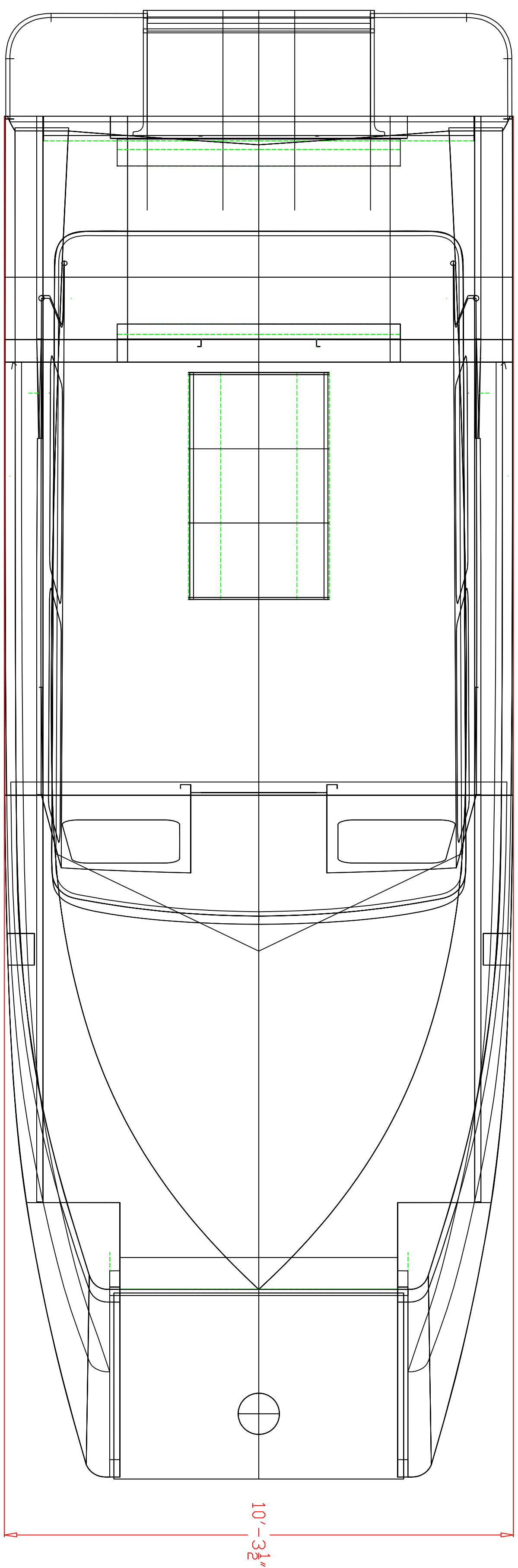
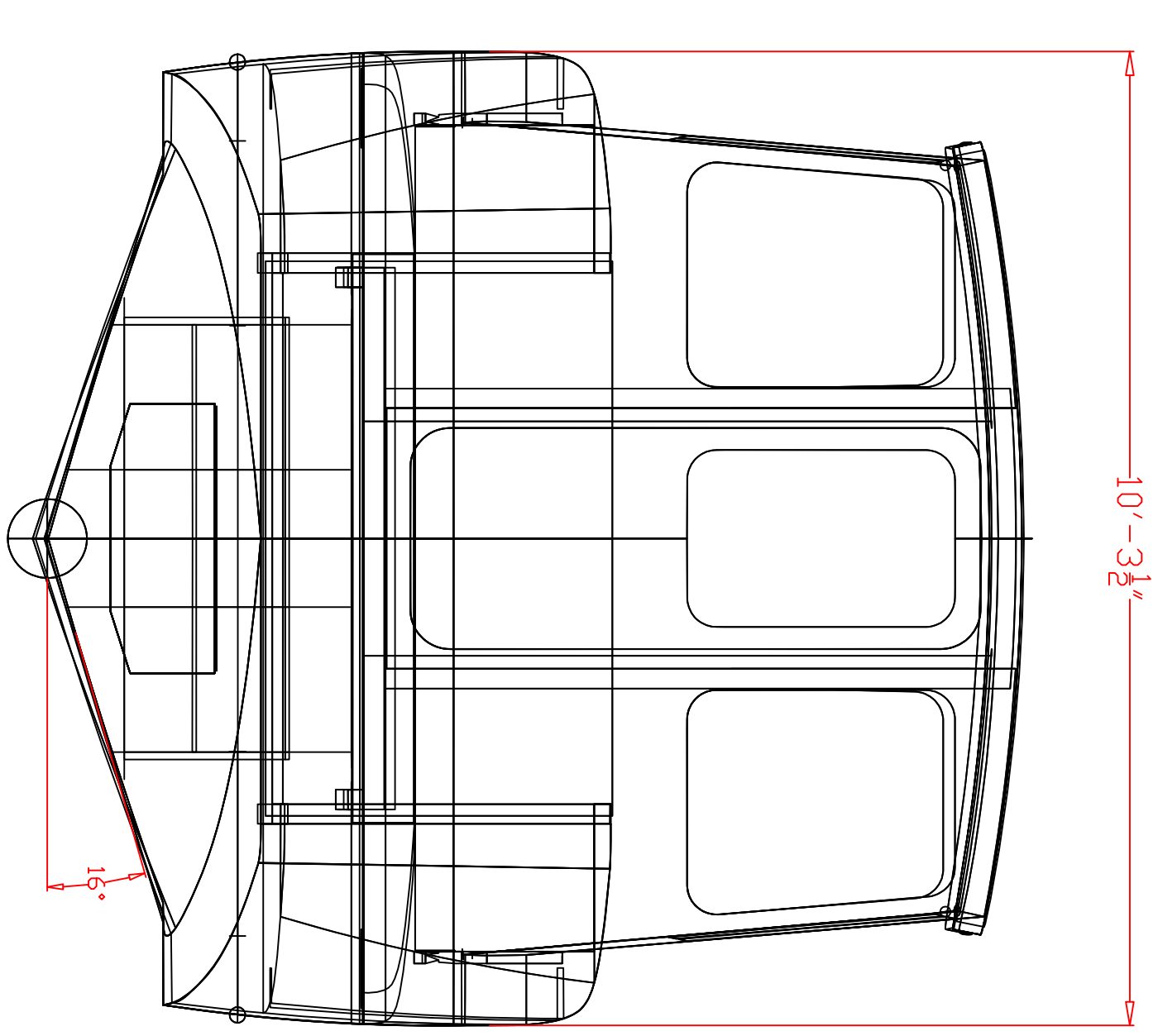
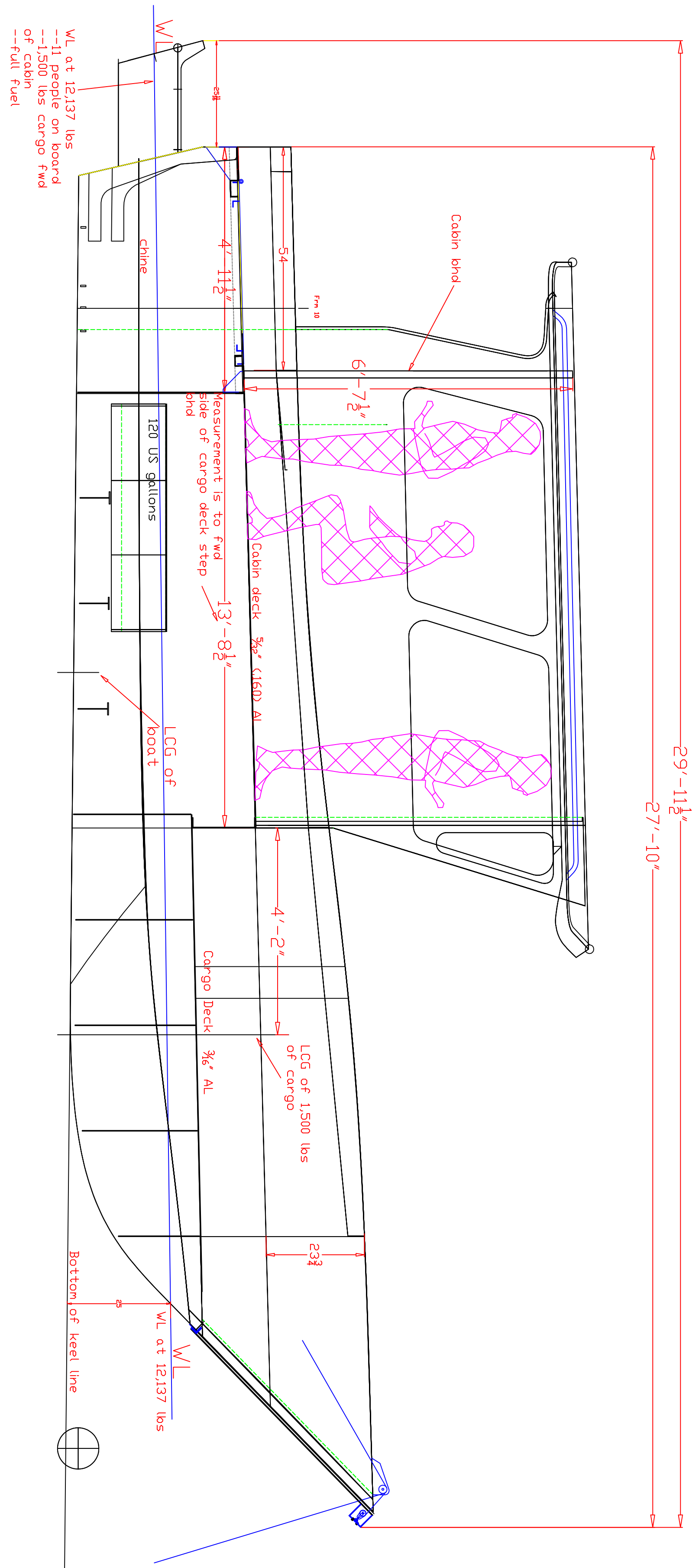


COPE - DISCOVERY PASSAGE 28
27ft 10in. Landing Craft
General Arrangement
Outboard Model



Cope :27ft 10in Landing Craft DB
Length hull-----27ft 10in
Length DA including swingrd----- 30ft 5in
Beam-----10ft 6in
Displacement-----13272 lbs
Displacement---Lightship-----272 lbs
Cargo Capacity---Loaded 13256 lbs
Cope :27ft 10in Landing Craft DB
Designed by AS Gipe
Designer-Bruce Cope
June 2013

Scale--3/4=1ft

Performance Data from Sea Trial
Sept 2017
- Power: Twin 250hp DB
- Top speed: 50mph
- Cruise speed: 36mph

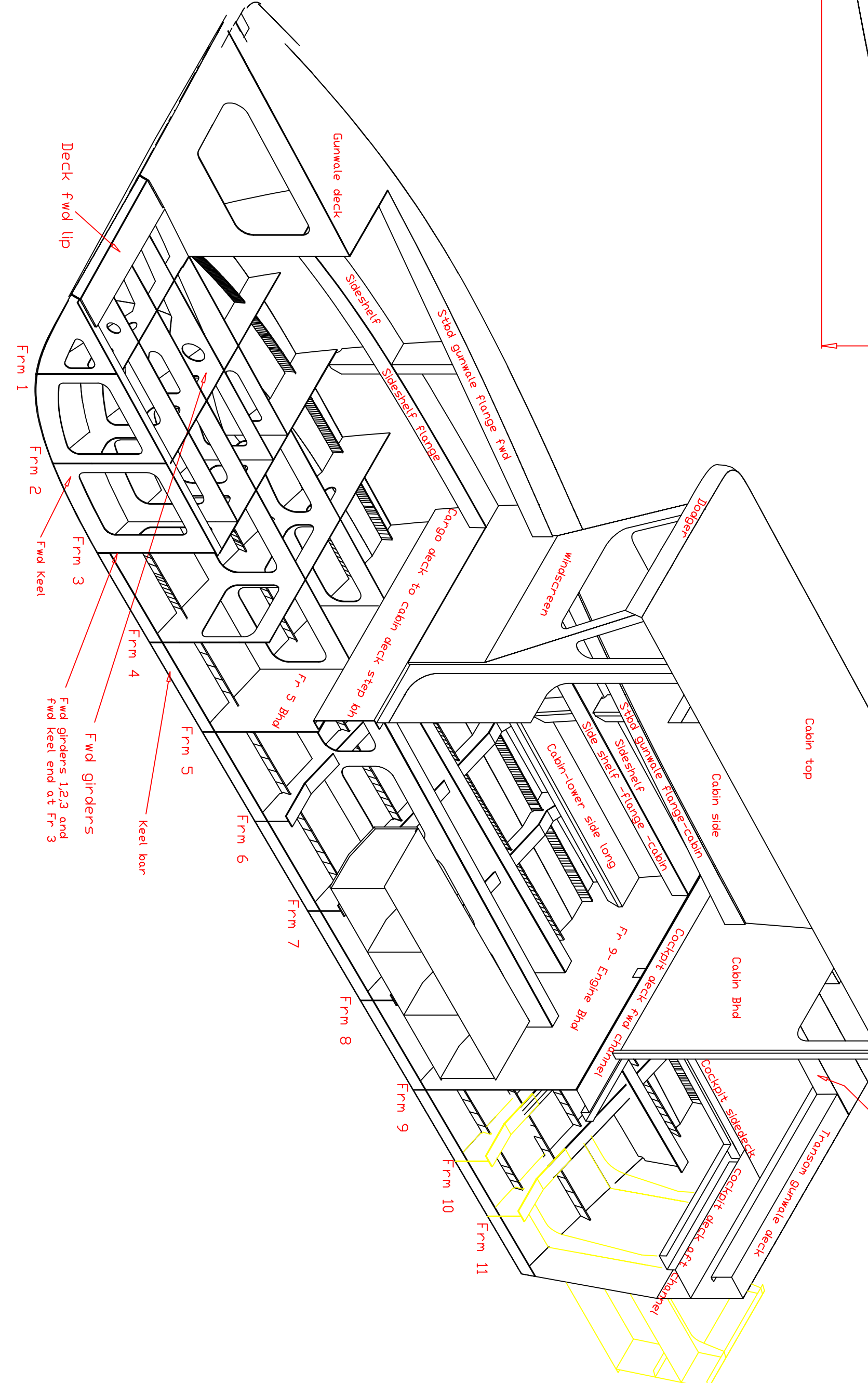
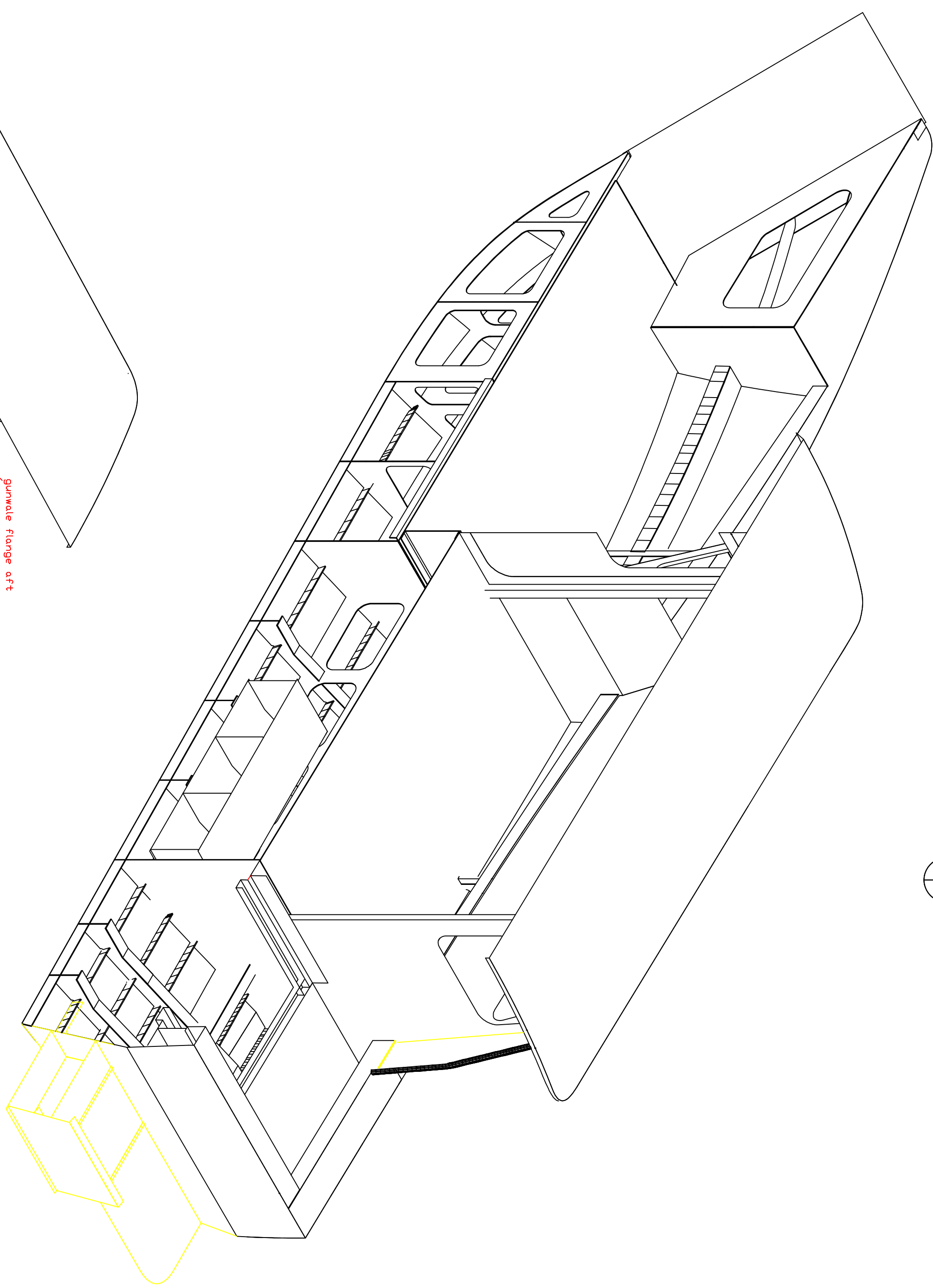


Plate List

- Cope 27ft 10in Landing Craft
- Single ID Diesel Model
- May 14-2013
- 3/4" plate-5086 H116
- 1 sheet 3/4"x5ftx20ft 5086 H116
- 1/2" sheet-5086 H116
- 5 sheets 3/4"x20'x20' 5086 H116
- 1 sheet 3/4"x5ftx20ft 5086 H116
- 1 sheet 1/2"x5ftx20ft 5086 H116
- 1 sheet 1/2"x4ftx20ft 5086 H116
- 3/4" sheet-5086 H116
- 1 length 3/4" x 1 1/2"
- 1 length 3/4" x 3"
- 1 length 3/4" x 3"
- 1 length 3/4" x 3"
- 1 length 3/4" x 3"
- 3/4" sheet-5082 H32
- 2 sheets 3/4"x6ftx20ft 5082 H32
- 2 sheets 3/4"x5ftx20ft 5082 H32
- 1 sheet 3/4"x4ftx20ft 5082 H32
- 1 sheet 3/4"x4ftx20ft 5082 H32
- 1 sheet 3/4"x4ftx20ft 5082 H32
- 1 sheet 3/4"x4ftx20ft 5082 H32
- 1 sheet 3/4"x4ftx20ft 5082 H32
- There is a total of 26 sheets

Extrusion List

- Cope 27ft 10in Landing Craft
- Single ID Diesel Model
- May 14-2013
- revised March 22 2017 AH
- All lengths are 20ft
- 6063 B32
- 13 lengths 3/4"x2 1/2"x 6061 T6
- 4 lengths 3/4"x1 1/2"x 6061 T6
- 5 lengths 3/4"x1 1/2"x 6061 T6
- 1 length 3/4" x 3"
- 1 length 3/4" x 3"
- 1 length 3/4" x 3"
- 1 length 3/4" x 3"
- Schedule 40 pipe
- 2 lengths 2" x 6063 T5
- 3 lengths 1 1/2" x 6063 T5
- Schedule 40 pipe
- 3 lengths 1 1/2" x 6061 T6
- 1 length 1 1/2" x 6061 T6
- Hall Structures
- 2 lengths
- 4 Pipe
- 4 lengths x 2" 6061 T6