

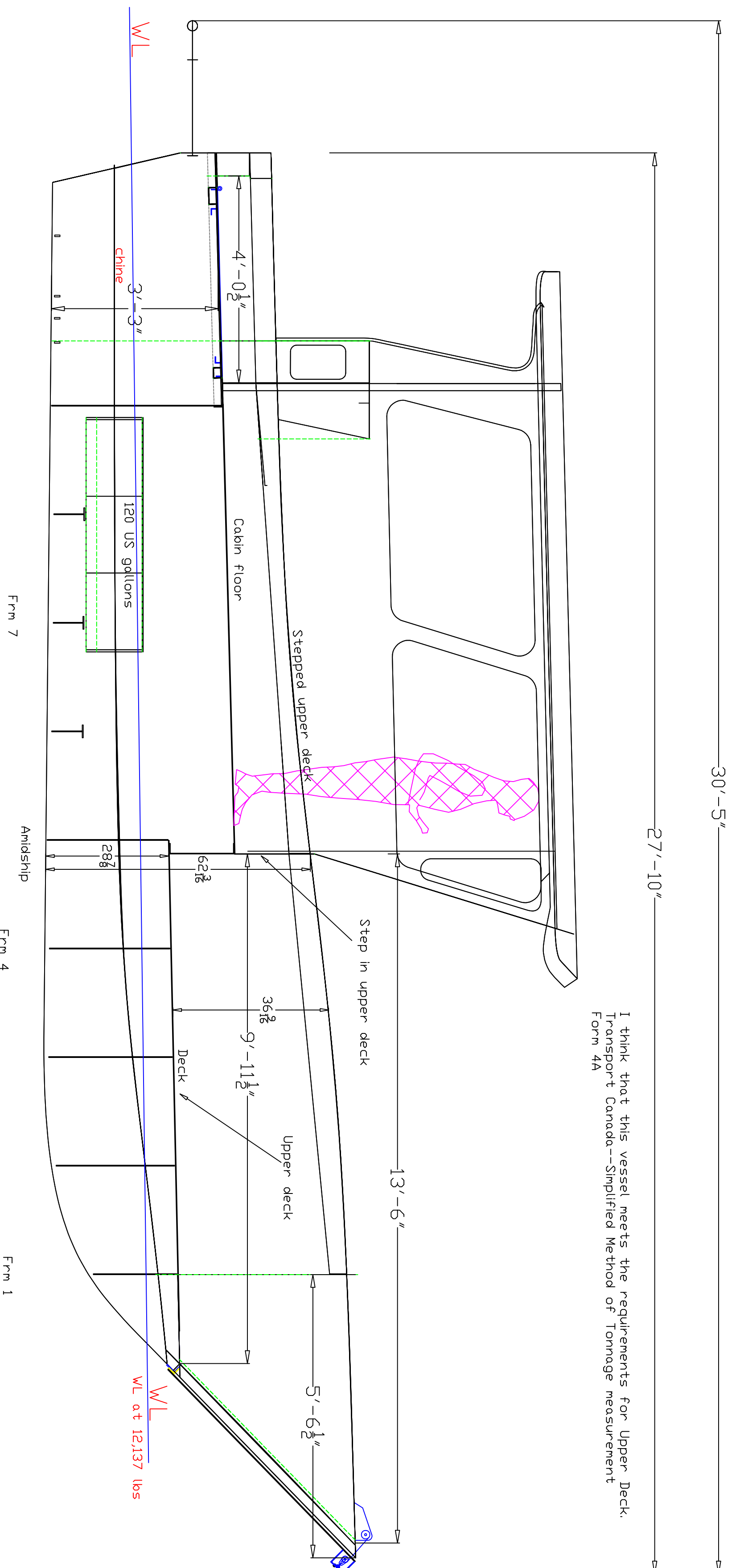
Performance of first post built to this design.
 Blind Bay Beams
 Power-Valve D6 330 hp I/O
 Propeller-D4
 Top speed-33.4 knots
 Fuel consumption at cruise=45 litre/hour
 Stability-with 11 people at the side-list = 5°

COPE - DISCOVERY PASSAGE 28

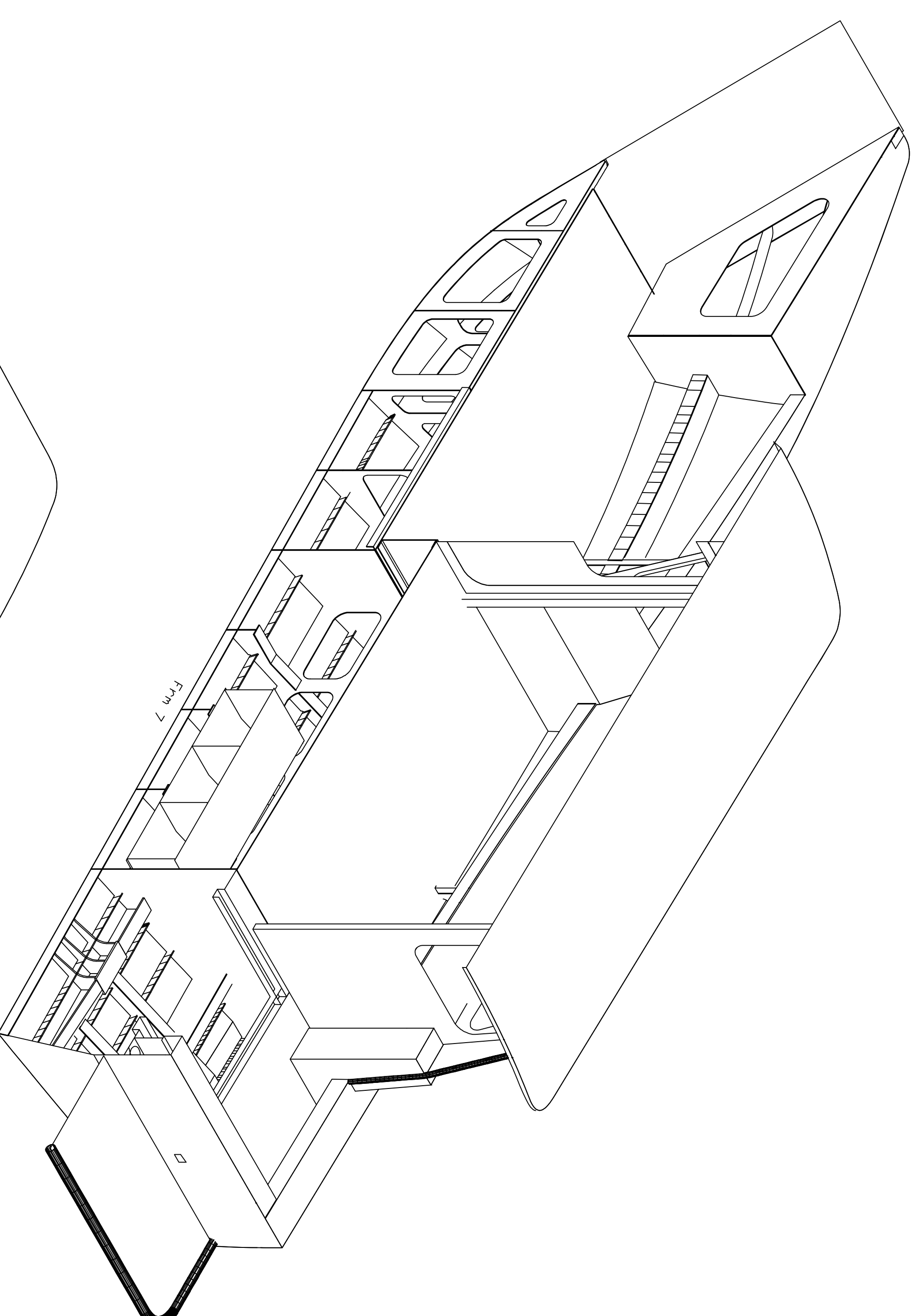
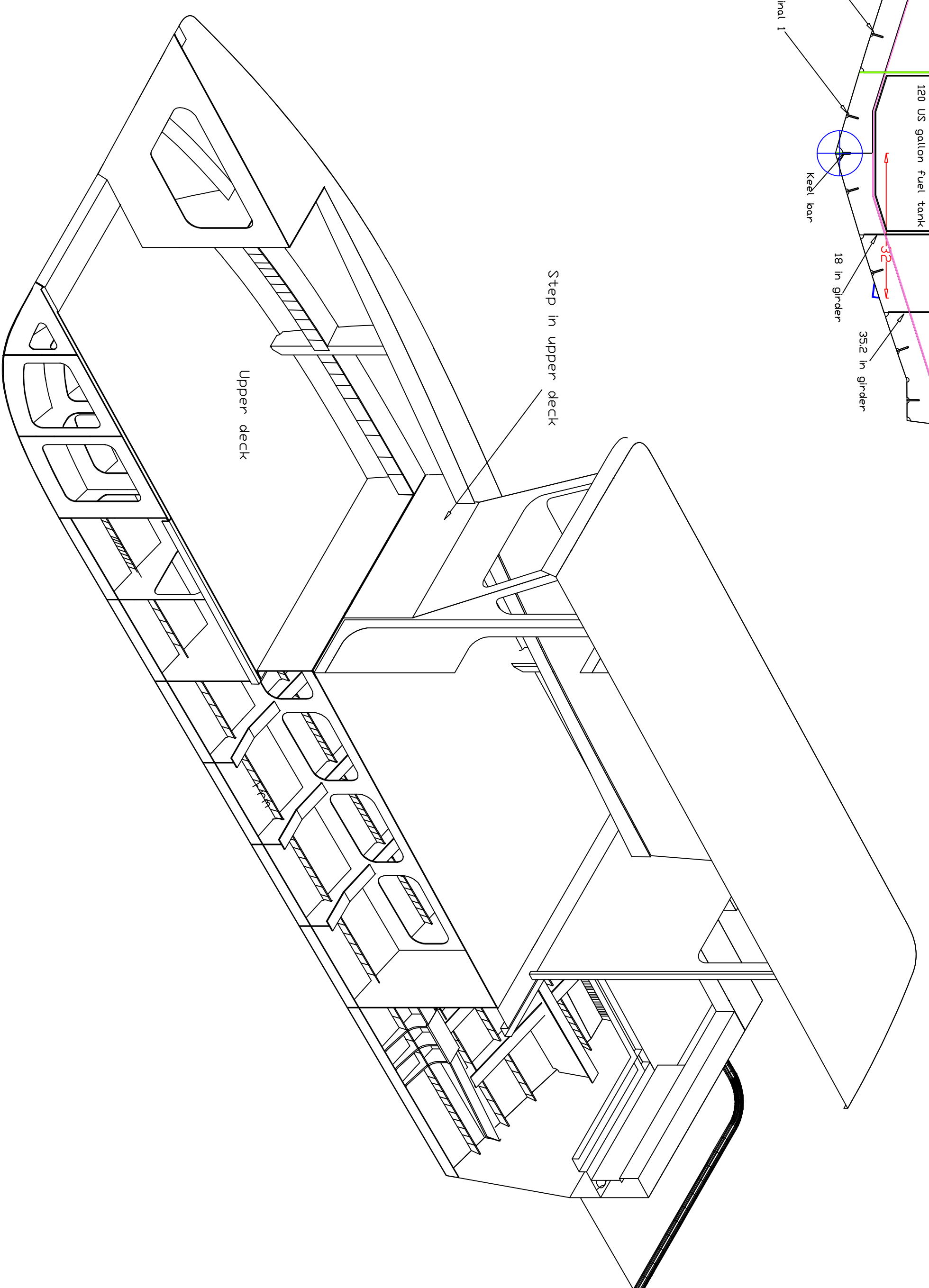
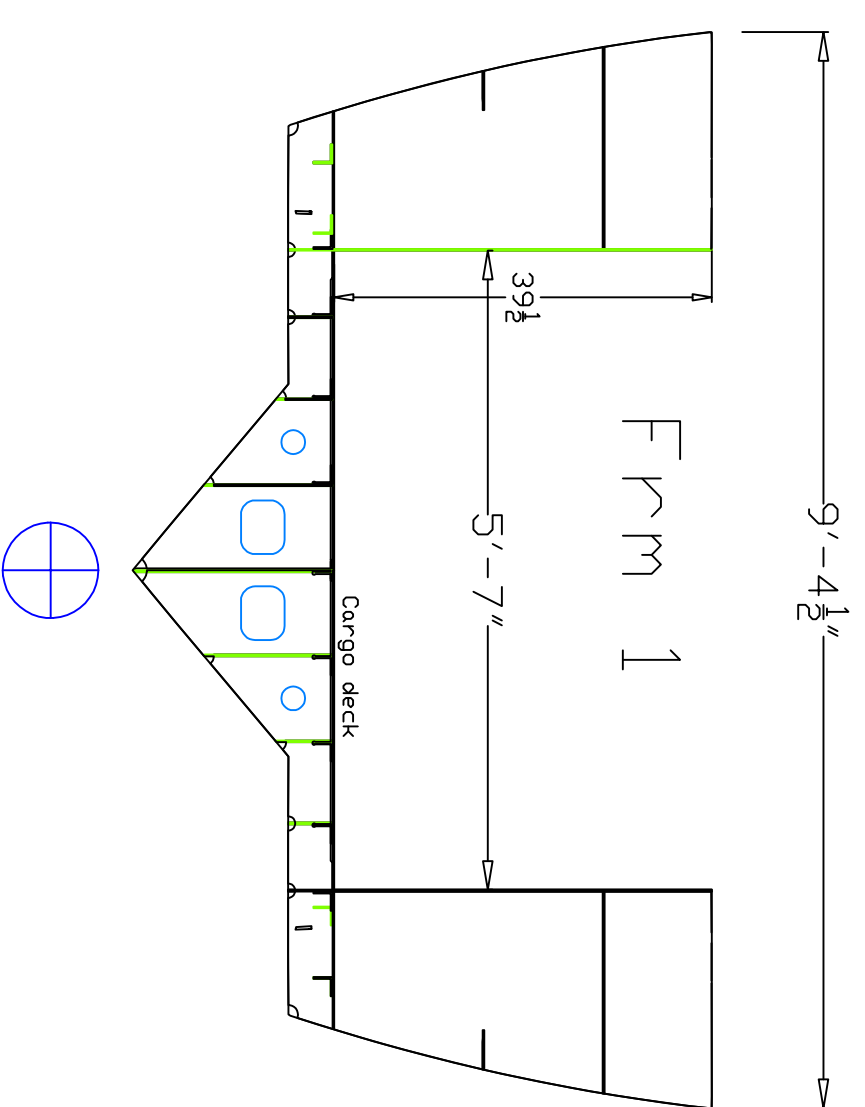
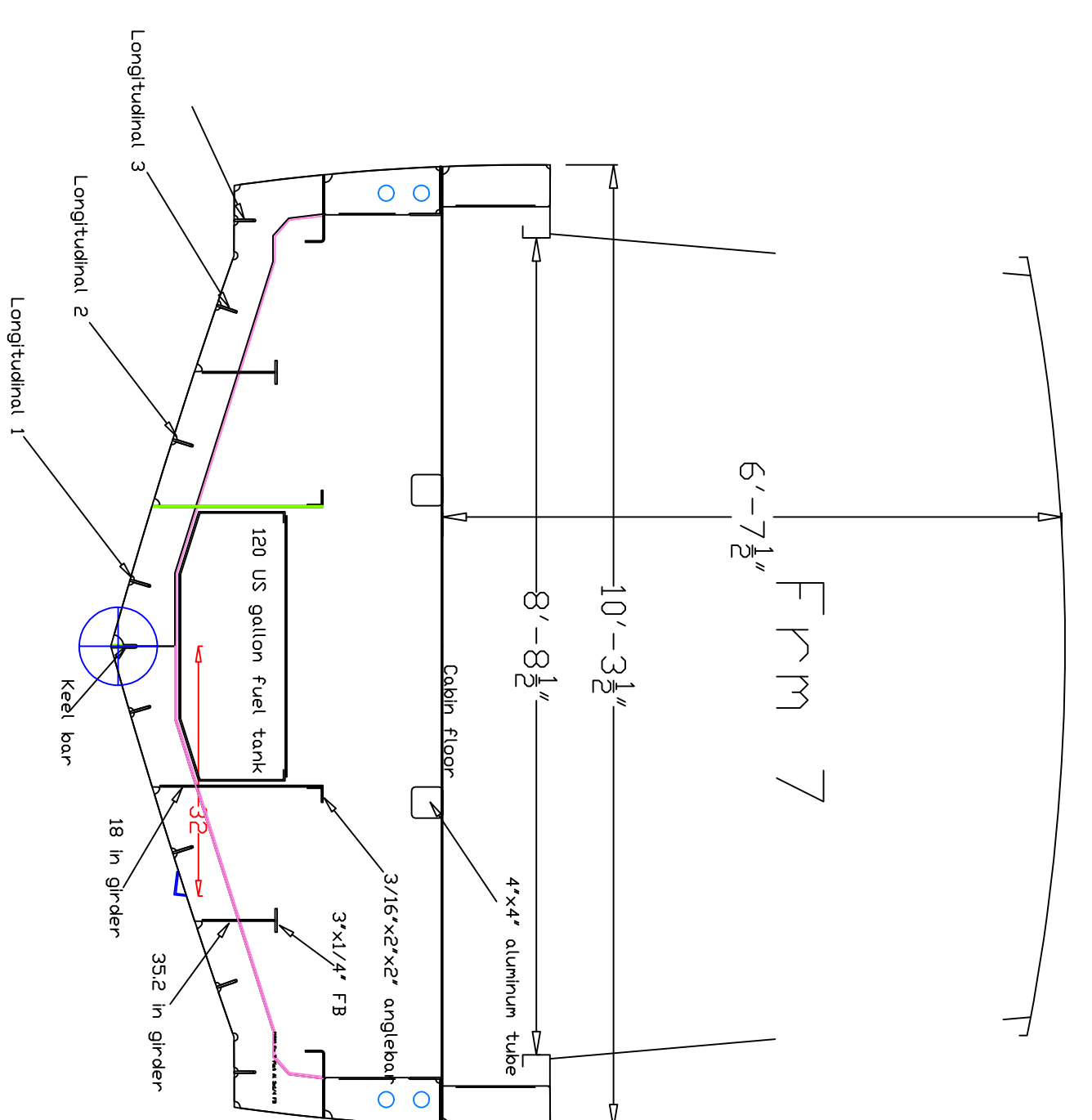
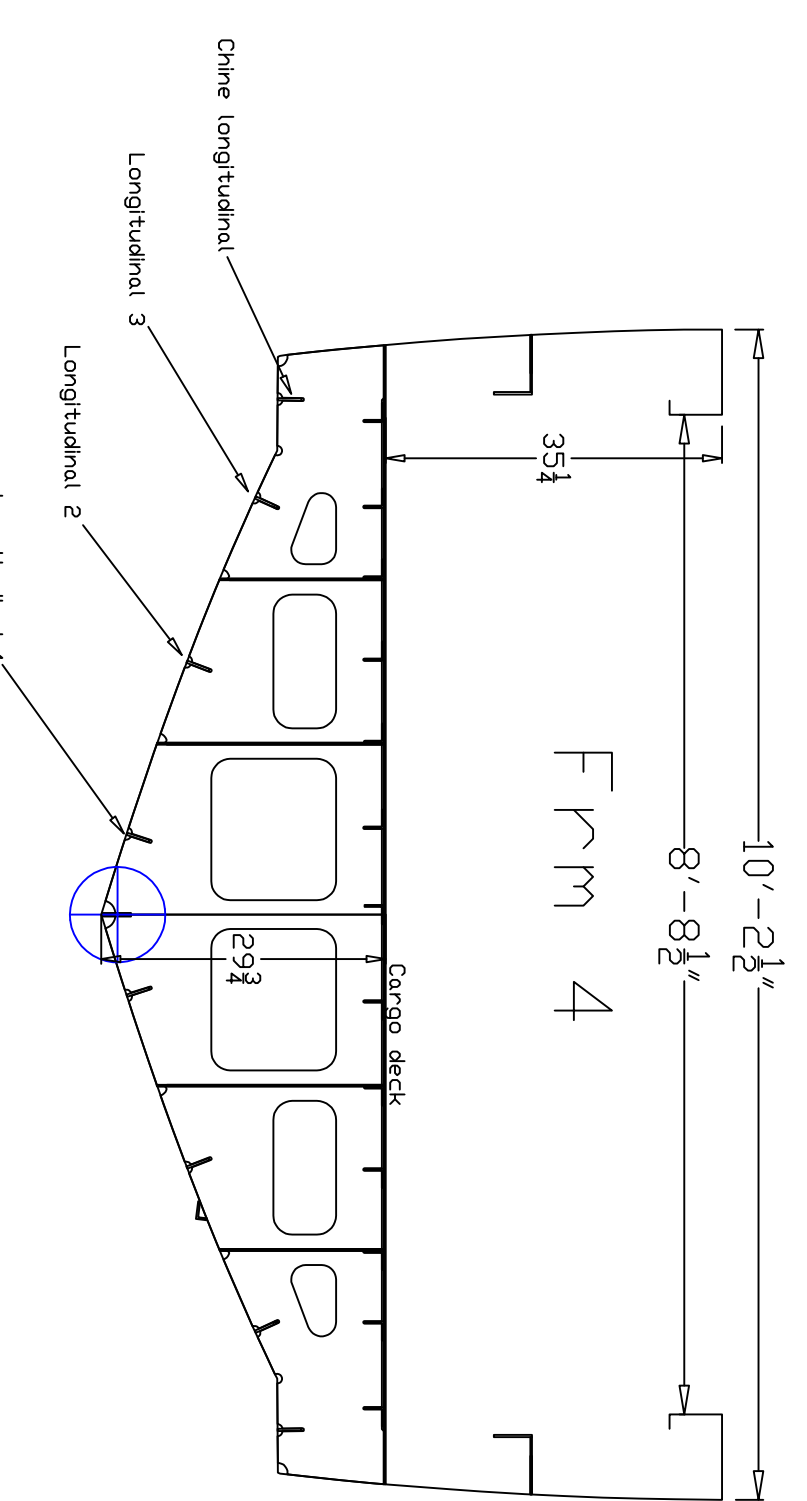
27ft 10in. Landing Craft

General Arrangement

I.D. Model



I think that this vessel meets the requirements for Upper Deck.
 Transport Canada--Simplified Method of Tonnage measurement
 Form 4A



Code : Discovery Passage 28

Length hull-----37ft 10in
 Beam DA including swaglines-----10ft 6in
 Beam B-----5ft 10in
 Beam B-----5ft 10in
 Power-----Single Valve D6 330HP I/O
 Deadrise-----16 degrees

Designed by A.G.C.P.E. LTD.
 Designer-Bruce Cop
 June 2013

01

Plate List

Code - Discovery Passage 28
 27ft 10in Landing Craft
 Scale 1/16 inch Model
 May 14-2013

- 3/8" plate-5086 H116
- 1 sheet 3/8"x5ftx8ft 5086 H116
- 1/4" sheet-5086 H116
- 2 sheets 1/4"x5ft x20ft 5086 H116
- 1 sheet 1/4"x5ftx20ft 5086 H116
- 1 sheet 1/4"x5ftx20ft 5086 H116
- 3/4" sheet-5086 H116
- 2 sheets 3/4"x5ftx20ft 5086 H116
- 1 sheet 3/4"x4ftx20ft 5086 H116
- 3/4" sheet-5052 H32
- 2 sheets 3/4"x6ftx20ft 5052 H32
- 7 sheets 3/4"x5ftx20ft 5052 H32
- 1 sheet 3/4"x4ftx8ft 5052 H32
- 3/4" sheet- 5052 H32
- 2 sheets 3/4"x6ftx20ft 5052 H32
- 1 sheet 3/4"x5ftx20ft 5052 H32
- 1 sheet 3/4"x4ftx10ft 5052 H32
- 1/4" sheet- 5089 H32
- 1 sheet 1/4"x5ftx20ft 5089 H32
- 1 sheet 1/4"x5ftx20ft 5089 H32

There is a total of 26 sheets