

22ft Landing Craft (Discovery Passage) Study Plan

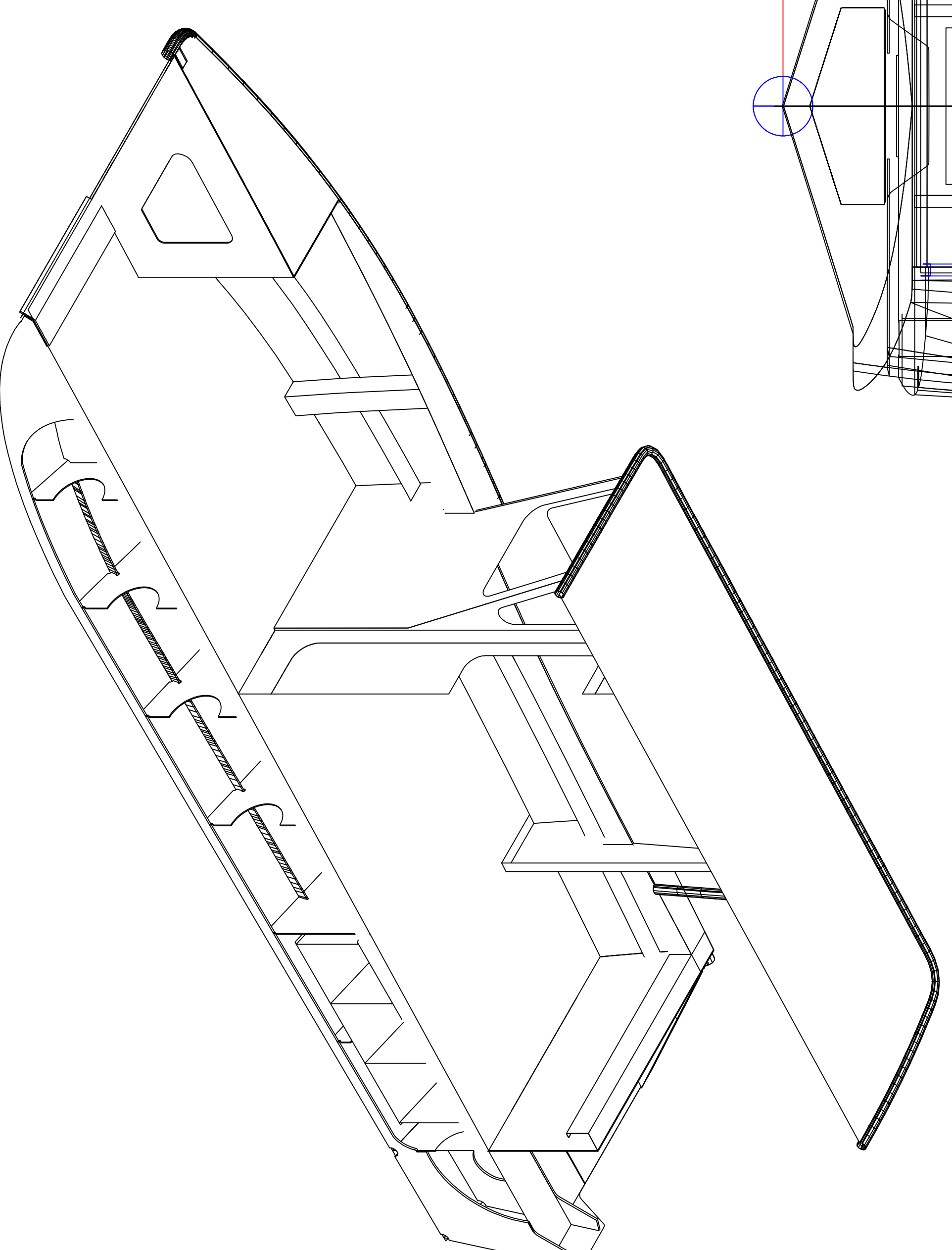
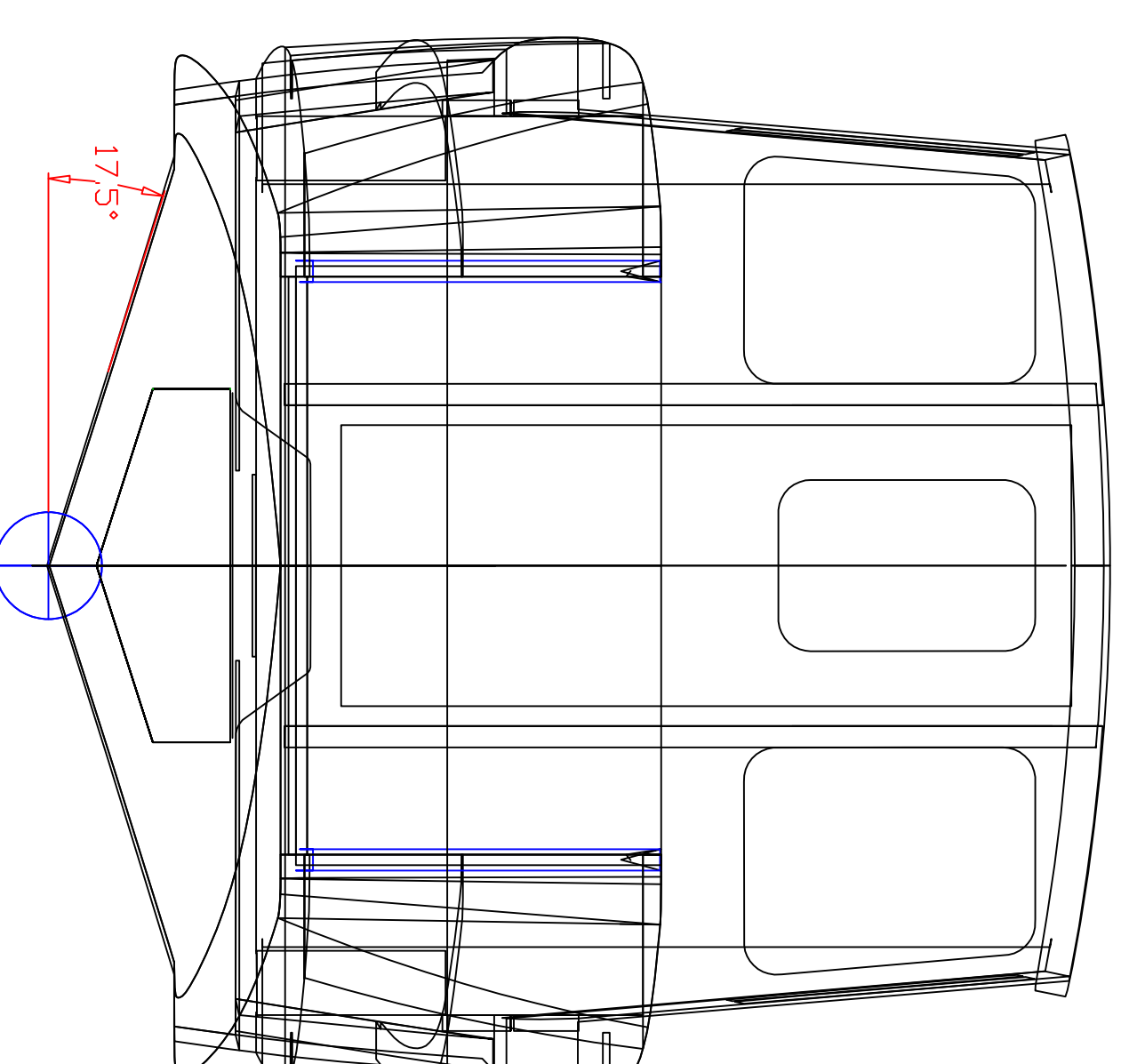
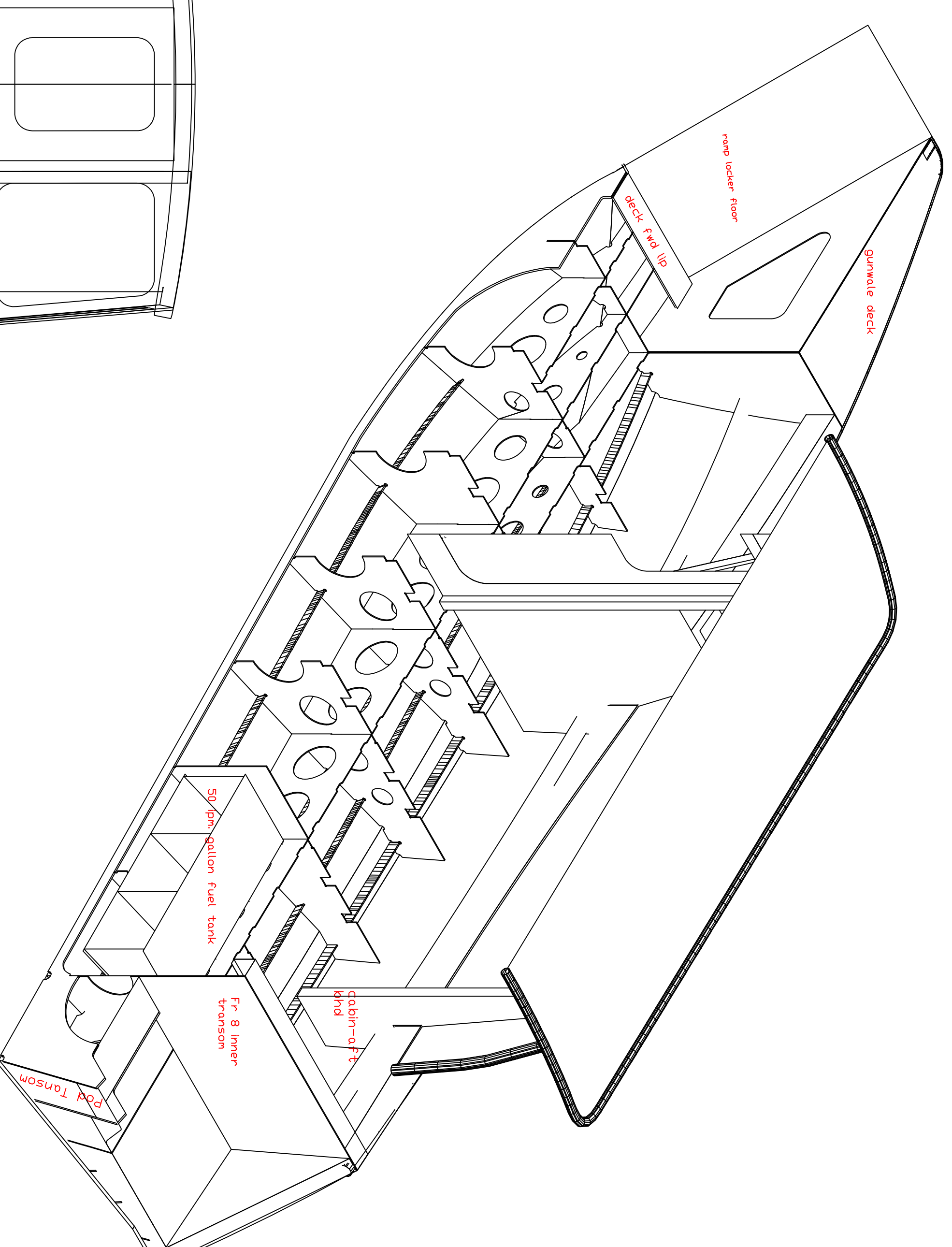
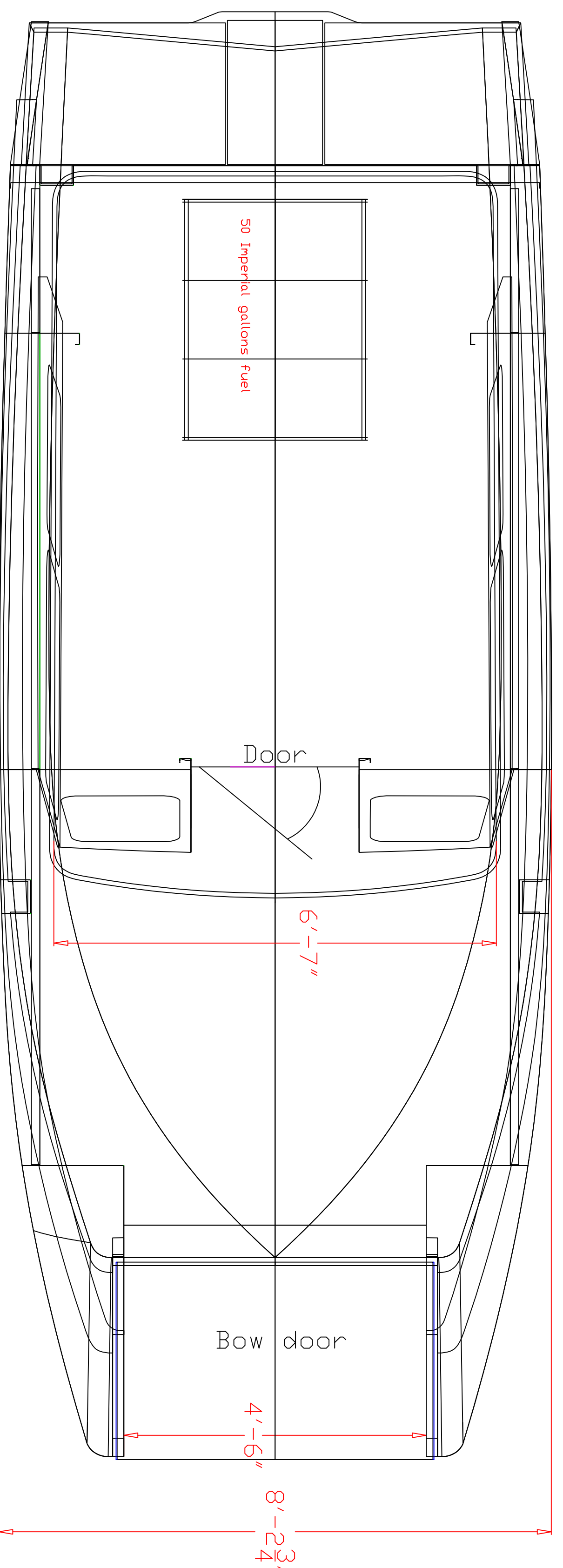
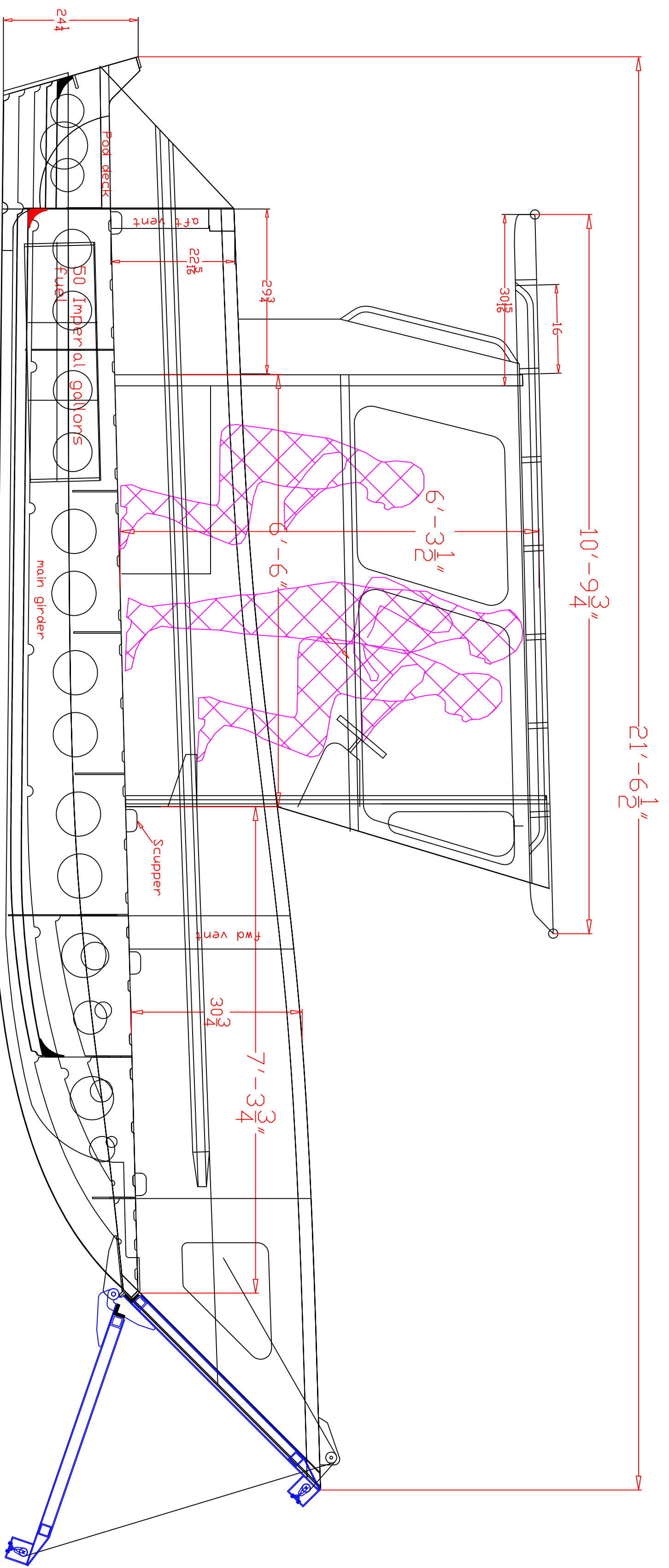


Plate List

- Cope 21ft 6in Landing Craft
Single Engine
March 18-2010
- 3/8" plate 1 plate 3/8"x4ft x10ft--5086 H116
 - 1/2" sheet 2 sheets 1/2"x4ft x20ft 5086 H116
 - 1 sheet 1/2"x5ftx20ft 5086 H116
 - 3/8" sheet 5086 H116 2 sheets 3/8"x4ftx20ft 5086 H116
 - 1 sheet 3/8"x5ftx20ft 5086 H116
 - 1 sheet 3/8"x4ft x 20ft 5086 H116
 - 1 sheet 3/8"x4ft x 10ft 5086 H116
 - 3/8" sheet 5052 H32 1 sheet 3/8"x5ftx20ft 5052 H32
 - 3 sheets 3/8"x4ftx20ft 5052 H32
 - 1 sheet 3/8"x4ftx10ft 5052 H32
 - 3/8" sheet 1 sheet 3/8"x6ftx20ft 5052 H32
 - 1 sheet 3/8"x8ftx20ft 5086 H116
- There is a total of 16 sheets

Extrusion List

- Cope 22ft Landing Craft
Single Engine
March 18-2010
- All extrusions are 20ft lengths.
- 3/4"x2"x2" 6061 T6 square tube--2 lengths
 - 1/2"x1 1/2"x1 1/2" 6061 square tube--2 lengths
 - 1/2"x1 1/2" 6061 T6 square tube--round corners--1 length
 - 3/4"x2"x2" 6061 T6 angle bar--2 lengths
 - 1 1/2"x1 1/2" 6061 T6 pipe--2 lengths
 - 1 1/2" screw 40 6063 T5 pipe--2 lengths
 - 3/4" screw 40 6063 T5 pipe--2 lengths
 - 3/4" screw 40 6063 T5 pipe--2 lengths
 - 1 1/2" screw 40 6063 T5 pipe--1 length
 - 1 1/2" screw 40 6063 T5 pipe--1 length
 - 2" screw 40 6063 T5 half pipe--2 lengths
 - Hull stiffener--2 lengths

Cope i:Discovery Passage 22
21ft 6in. Landing Craft
Length-----21'-6"
Beam-----8'-6" with gunwale pipe.
Displacement-Lightship-----3,670 lbs
Displacement-Full Fuel, 4 people-no cargo-4,600 lbs
DWL-----17ft 8"
Power-----single outboard to 225 HP