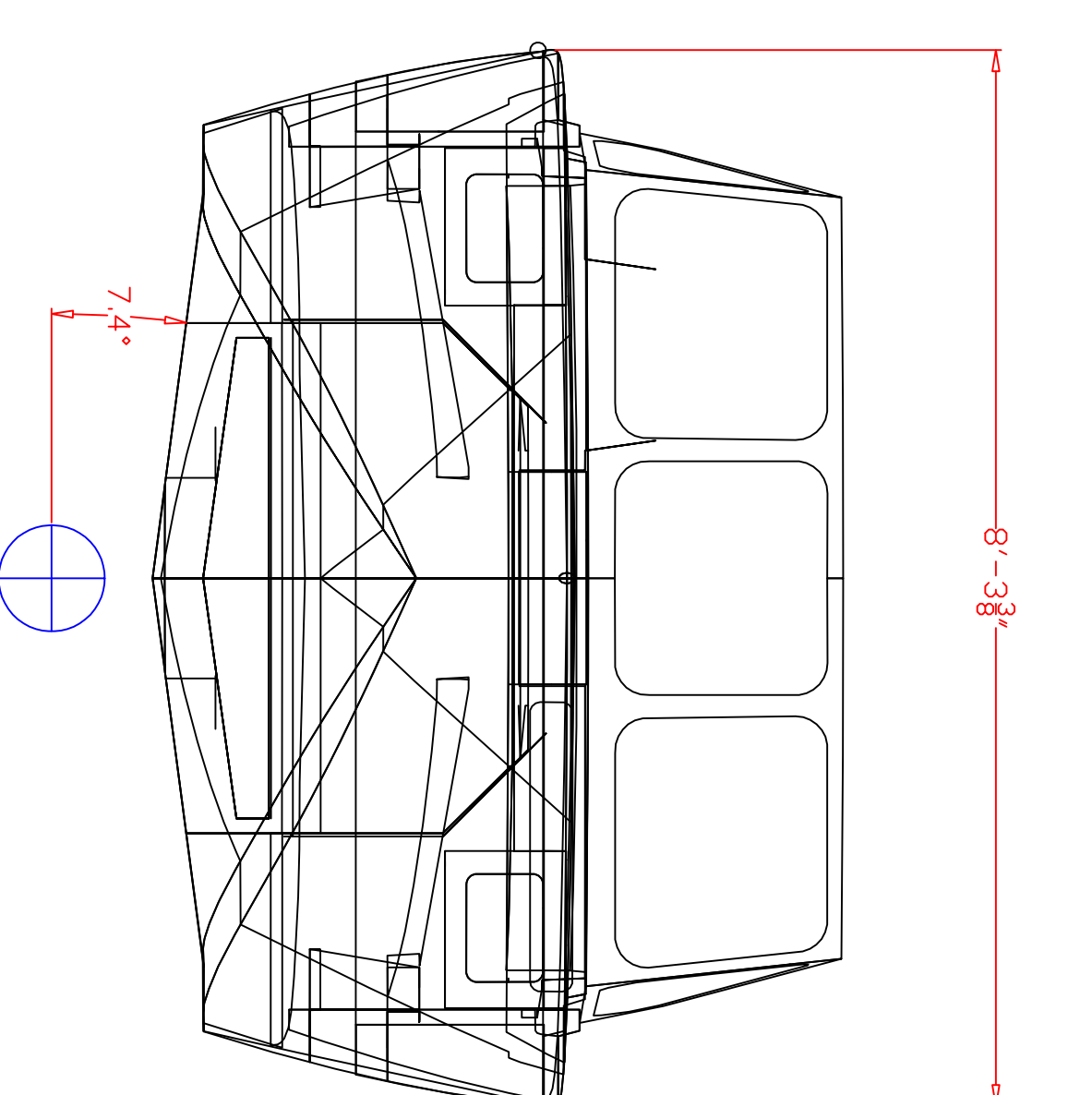
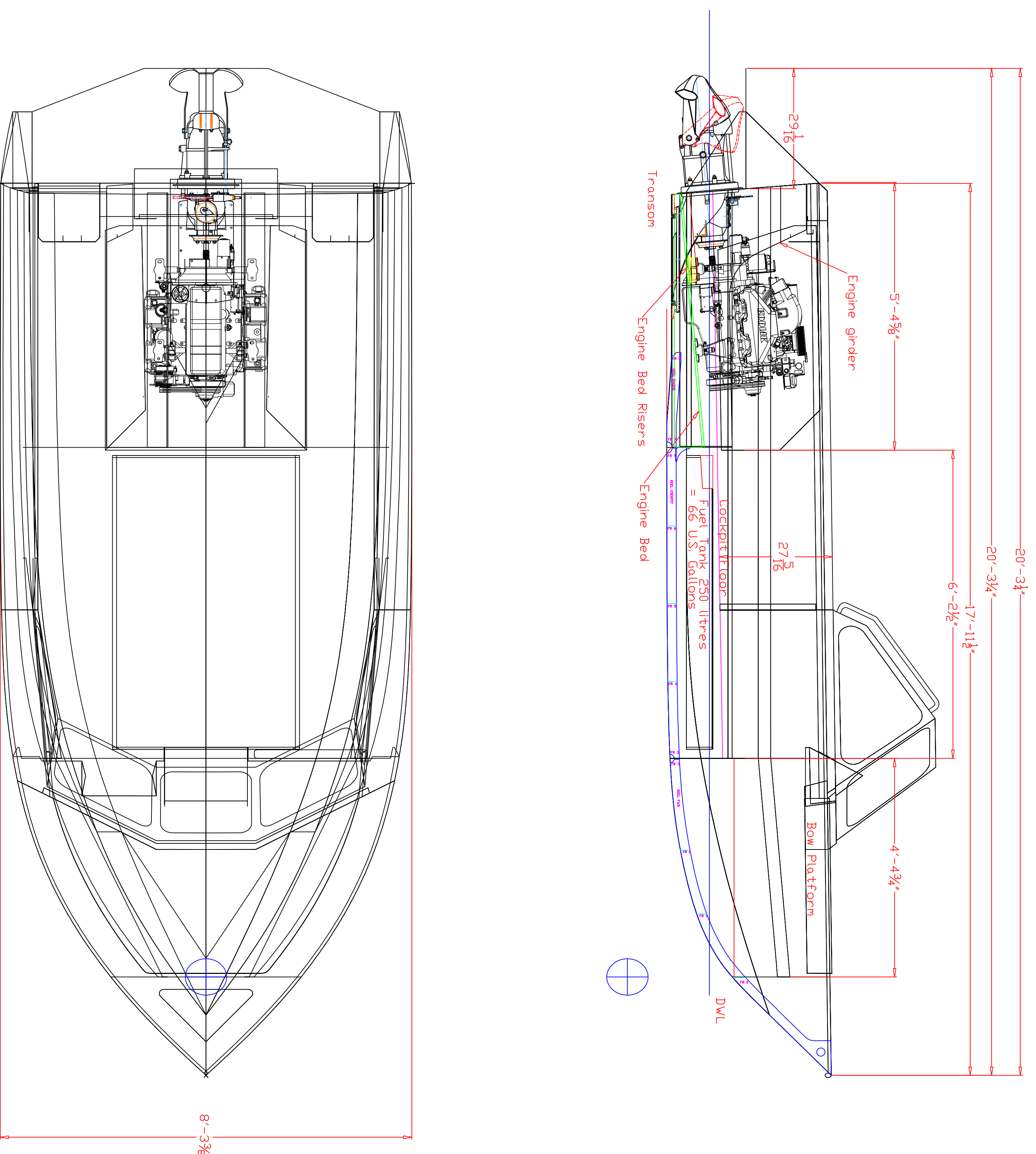
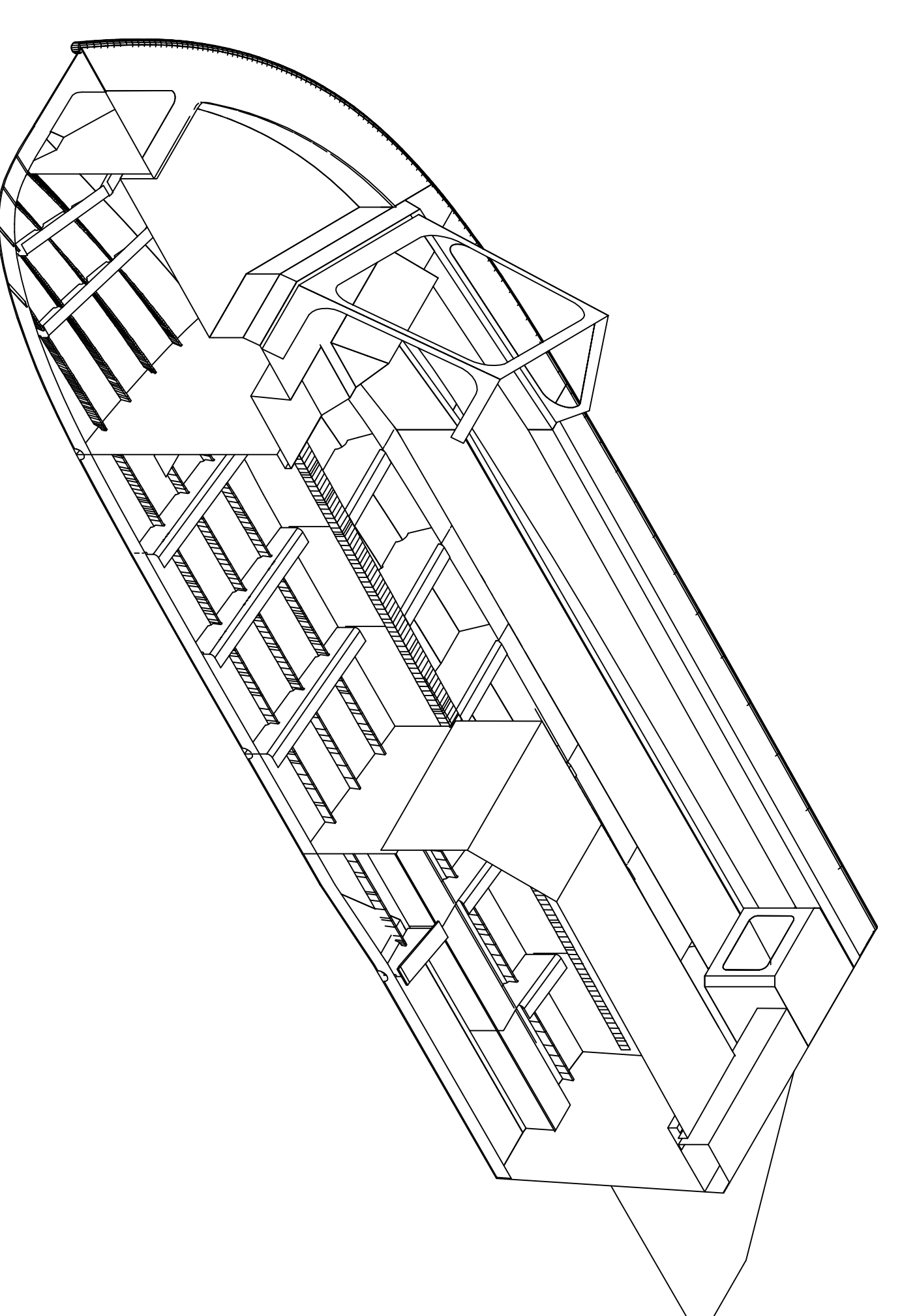
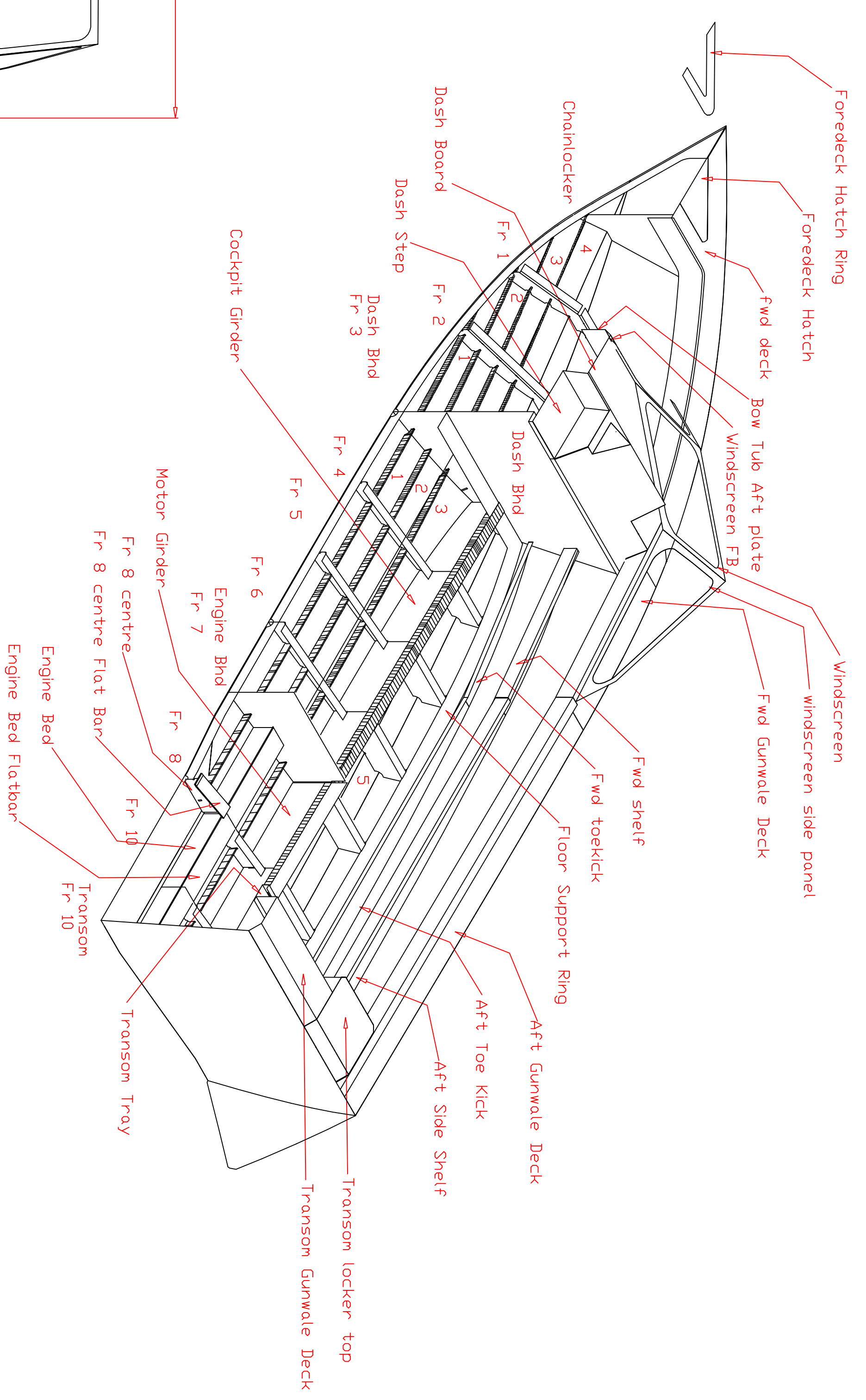


COPE 18FT 8DEGREE WALK-THRU JETBOAT STUDY PLAN



- Extrusion List**
Cope 18ft 8 degree Walk thru Jetboat
April 17 - 2017
- Angle Bar - 6061 T6**
- 3 lengths ---- 3/4" x 1-1/2" x 2" ---- Bulkhead Stiffening
 - 2 lengths ---- 1/2" x 1-1/2" x 1-1/2" ---- Girder Angle Bar
- Square Tube with Round Corners - 6061 T6**
- 1 length ---- 1/2" x 1" ---- Windscreen Stiffening
- Pipe**
- 1 length ---- 1/2" schedule 40 ---- Handrail
- Plate List**
Cope 18ft 8 degree Walk thru Jetboat
April 6 - 2017
- 1/4" sheet S052 H32
 - 1 sheet ---- 1/4" X 4ft X 20ft ---- S052 H32
 - 1/4" sheet S086 H16
 - 1 sheet ---- 1/4" X 4ft X 10ft ---- S086 H16
 - 3/8" sheet S086 H16
 - 1 sheet ---- 3/8" X 4ft X 8ft ---- S086 H16
 - 3/8" sheet S052 H32
 - 1 sheet ---- 3/8" X 5ft X 20ft ---- S052 H32
 - 1 sheet ---- 3/8" X 4ft X 20ft ---- S052 H32
 - 3/8" sheet S086 H16
 - 2 sheets ---- 3/8" X 4ft X 25ft ---- S086 H16
 - 3/8" sheet S086 H16
 - 2 sheets -- 3/8" X 4ft X 20ft -- S086 H16
 - 3/8" sheet S052 H32
 - 2 sheets -- 3/8" X 5ft X 20ft -- S052 H32
 - 1 sheet -- 3/8" X 6ft X 10ft -- S052 H32
 - .001" sheet S052 H32
 - 1 sheet ---- .100" X 4ft X 10ft ---- S052 H32
- There is a total of 13 sheets



Cope 18FT Walk Thru Jetboat

Length-----20'-3"
Beam-----8'-4" with gunwale pipe
Displacement-----3100 lbs (lightship)
3542 lbs (full loaded)
Draft-----11'-2 1/4"
Draft room description-----
Power-----Vortec 871 w/ Hamilton 212 waterjet

Designed by A.B.COPE LTD.
Designer-Bruce Cope
April 10 2017