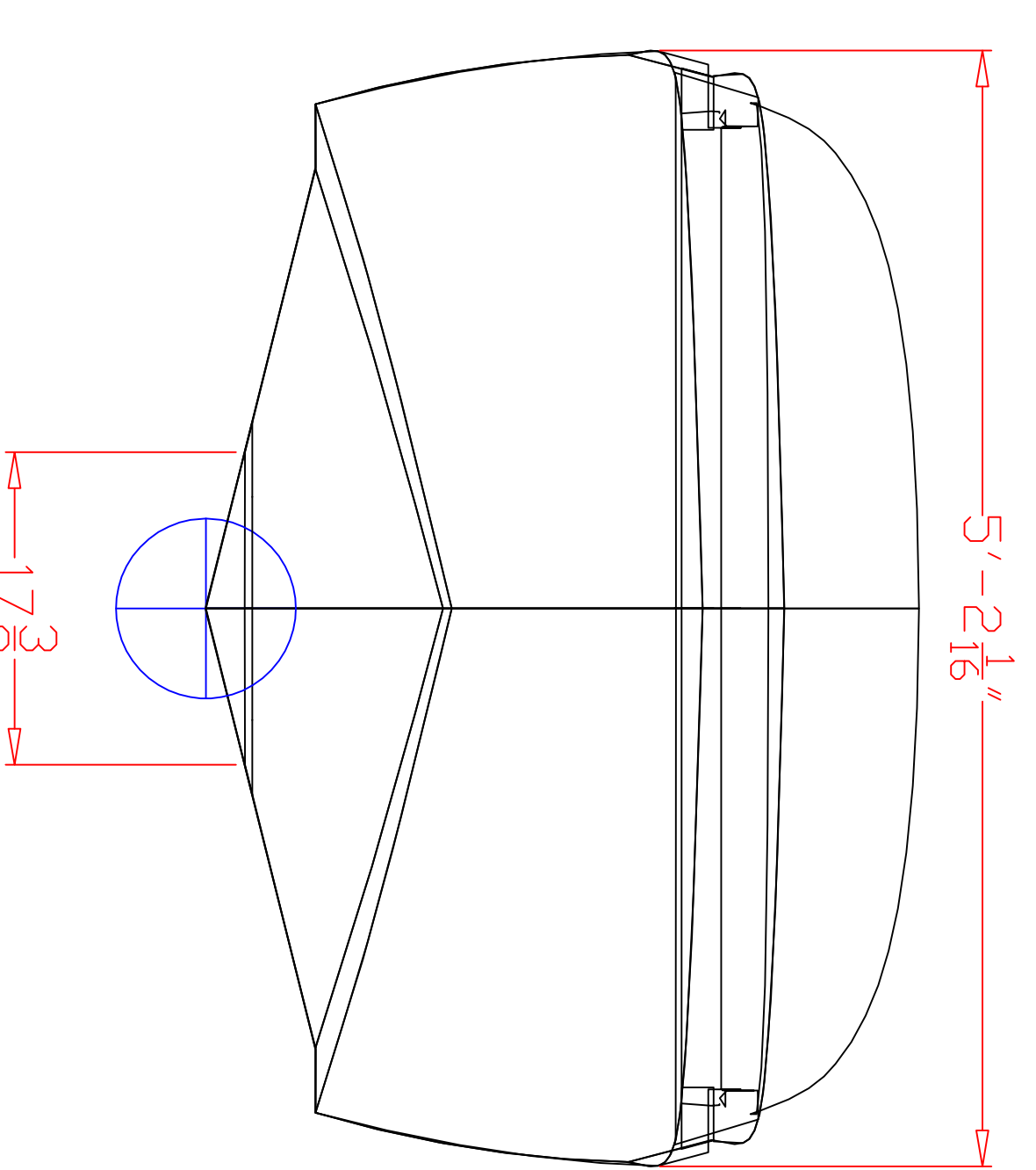
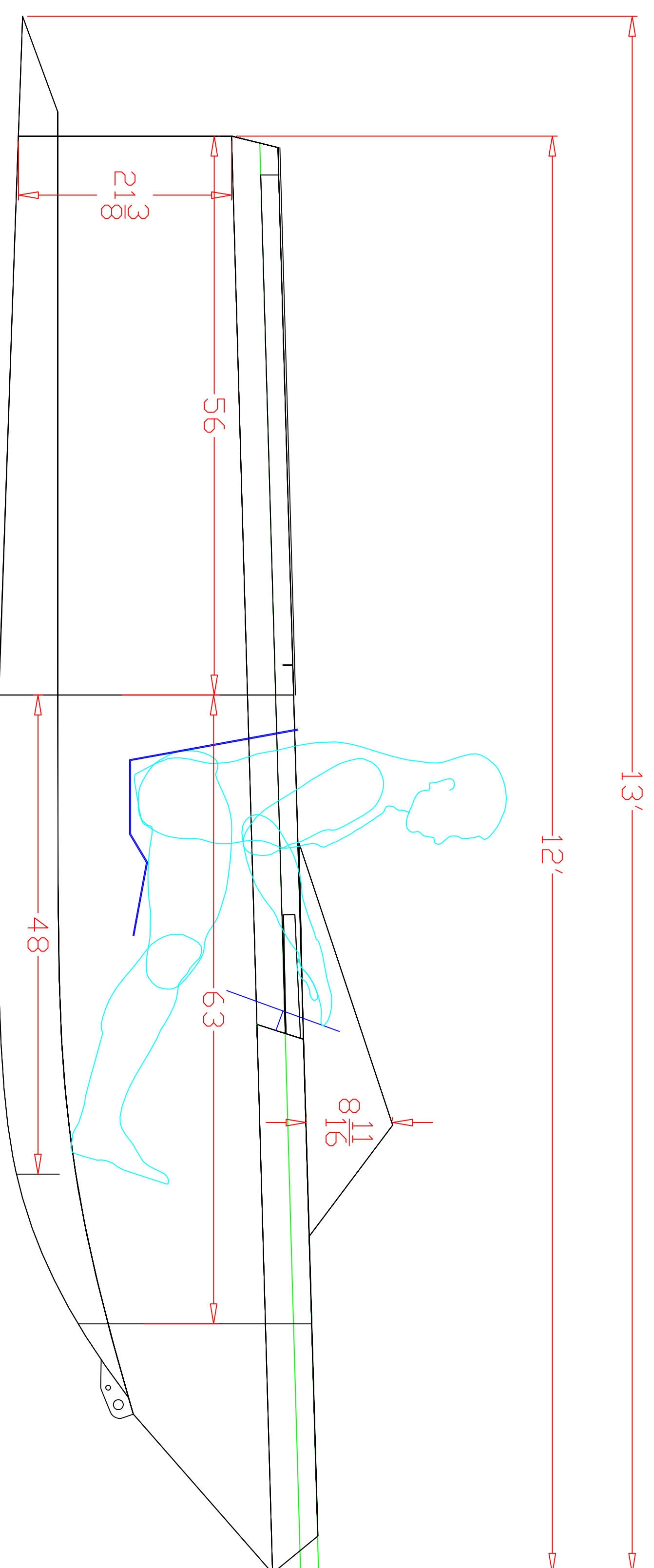
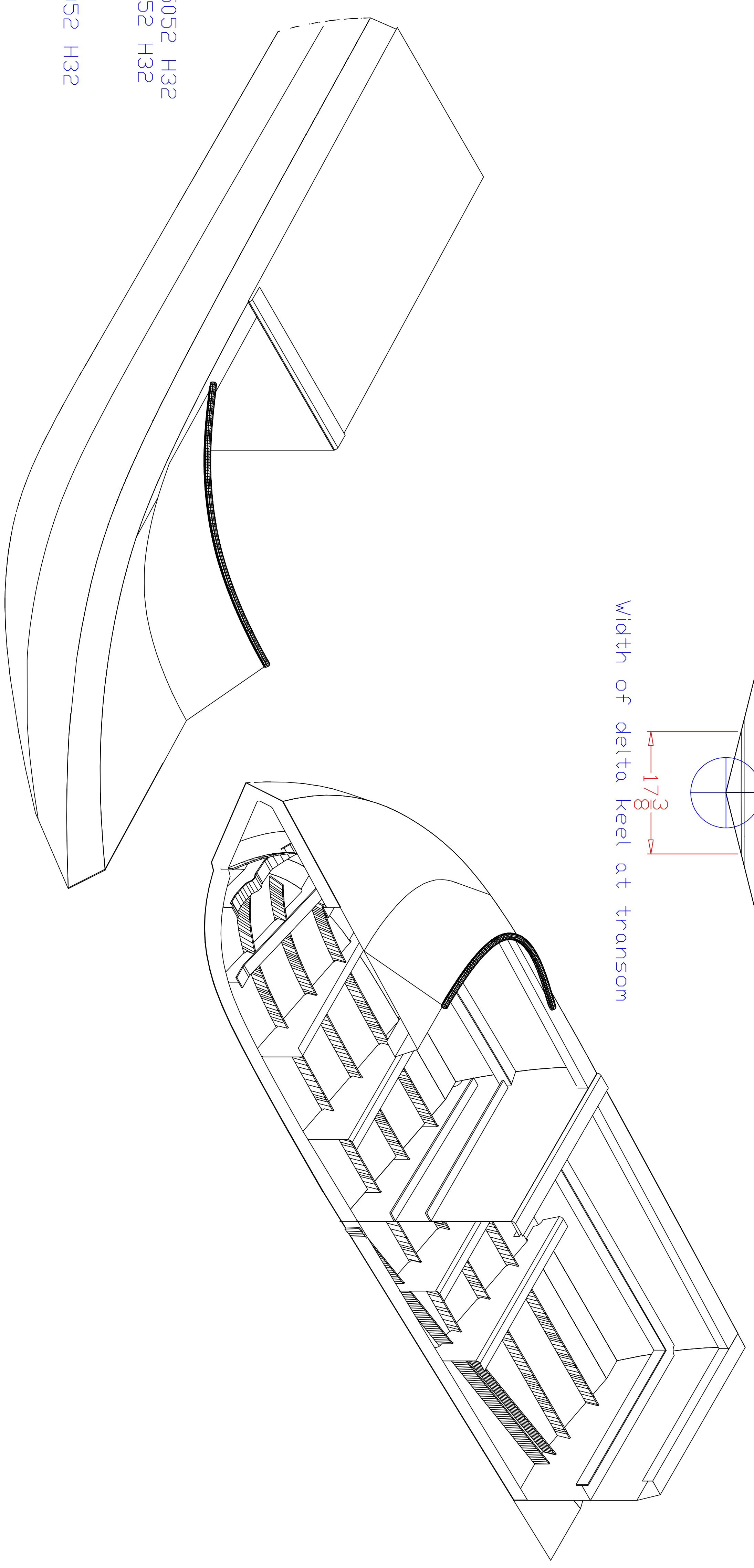


Cope 12ft Jet Boat Study Plan



Width of delta keel at transom



Cope 12ft Jetboat

Length-----12ft
 Beam-----5ft 2-¹/₈"
 Headrise----- 14°
 Power---inboard with jetpump

P 1

Plate List
 Cope 12ft Jetboat
 May 20 2015
 .100 Plate:
 1 sheets @ .100 x5ftx20ft -- Alloy 5052 H32
 1 sheet @ .100 x5ftx12ft -- Alloy 5052 H32
³/₁₆" Plate:
 4 sheets @ ³/₁₆"x4ftx12ft -- Alloy 5052 H32
 Total number of plate = 6 plates

Designed by A.B.COPE LTD.
 Designer--Bruce Cope
 May 20 2015