

# Cope 14ft Jetboat

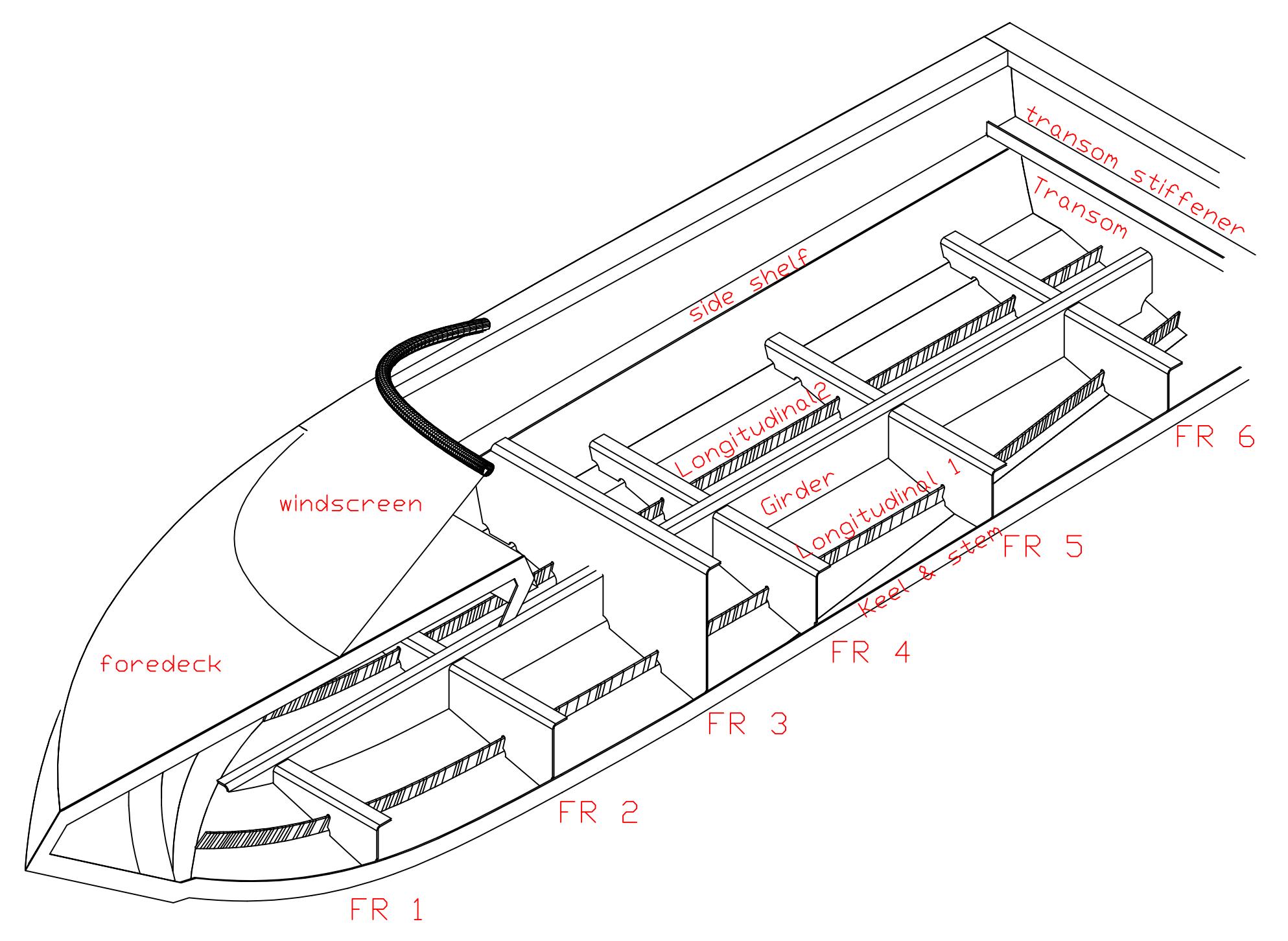
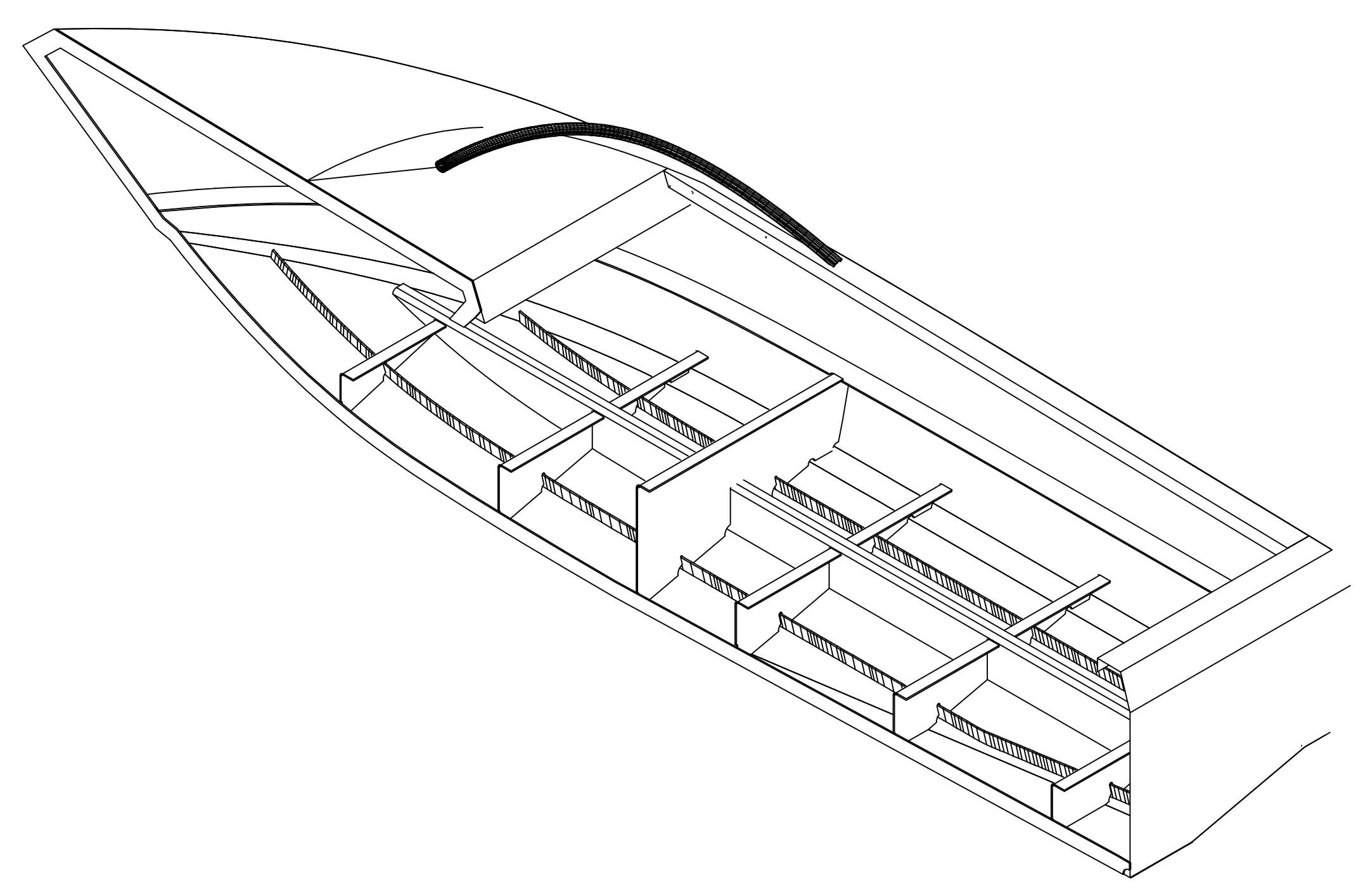
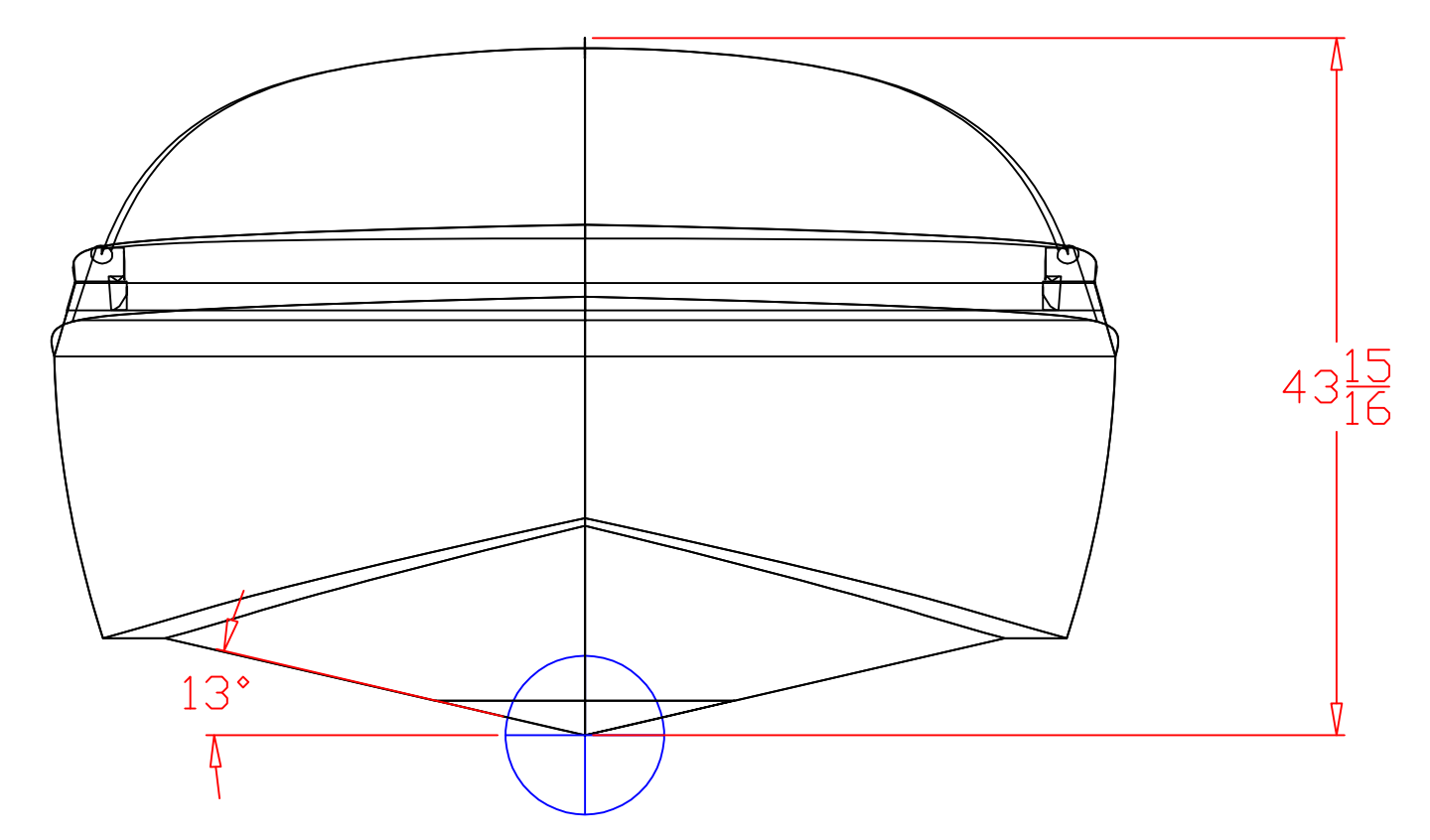
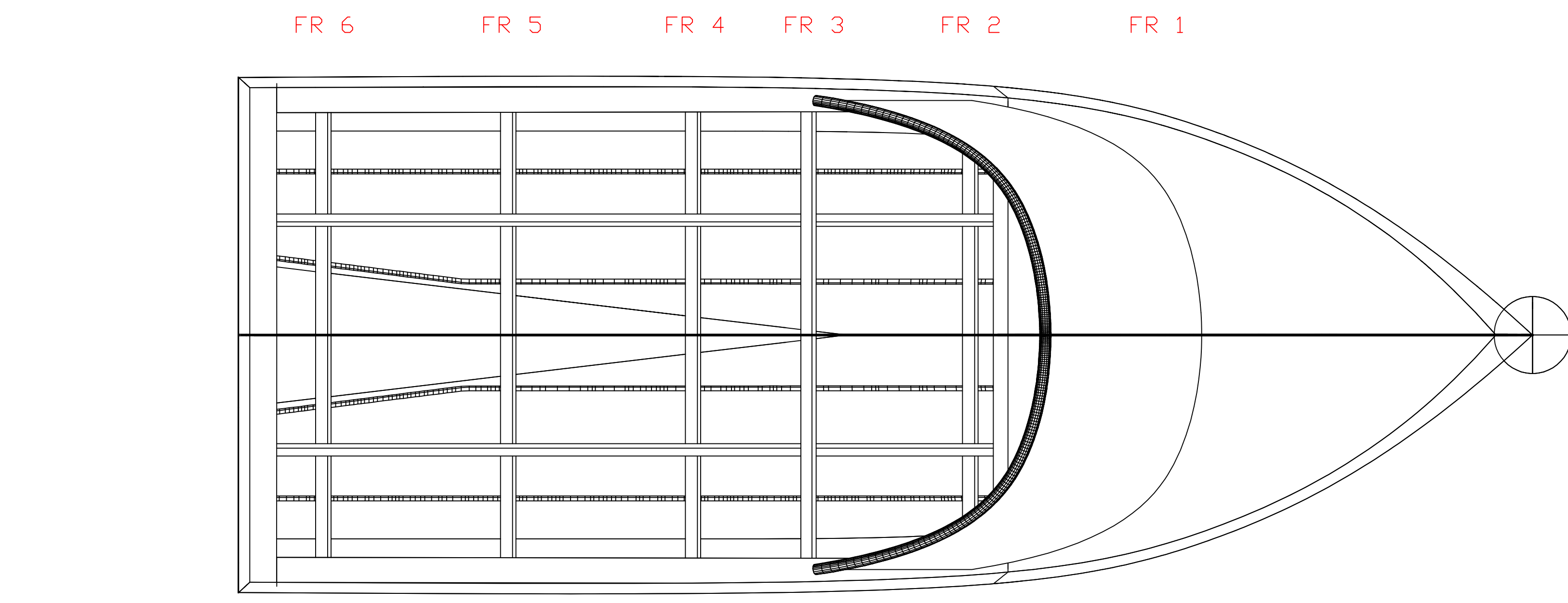
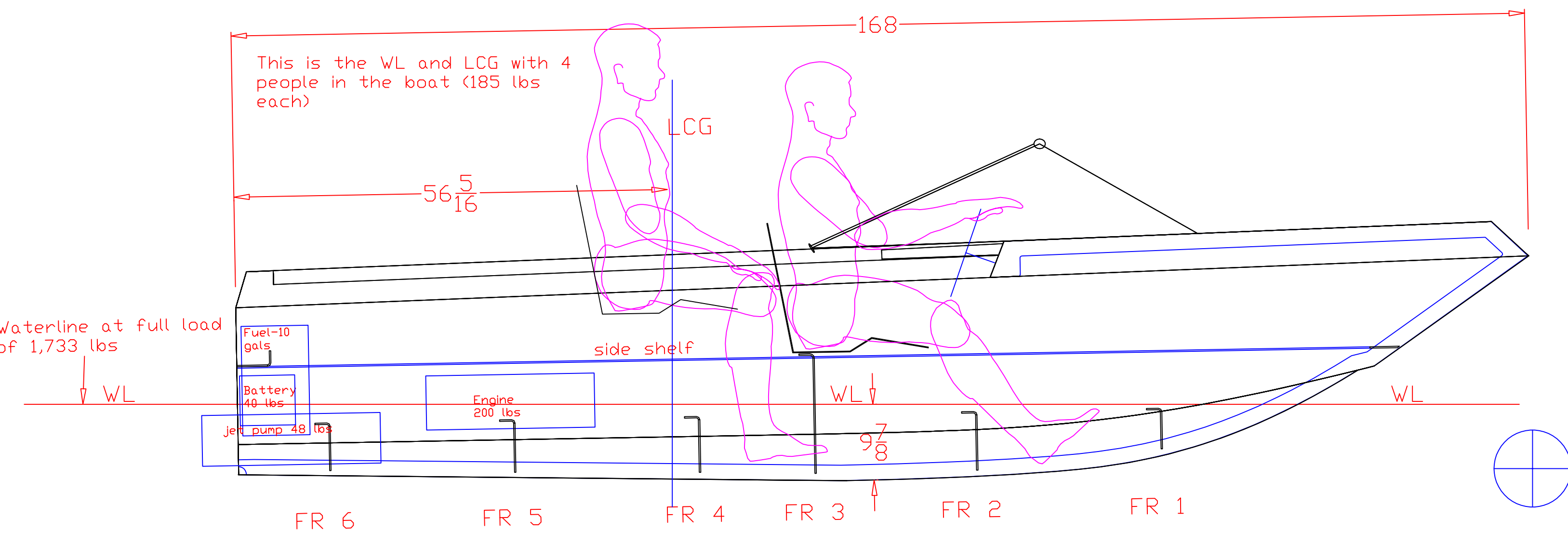
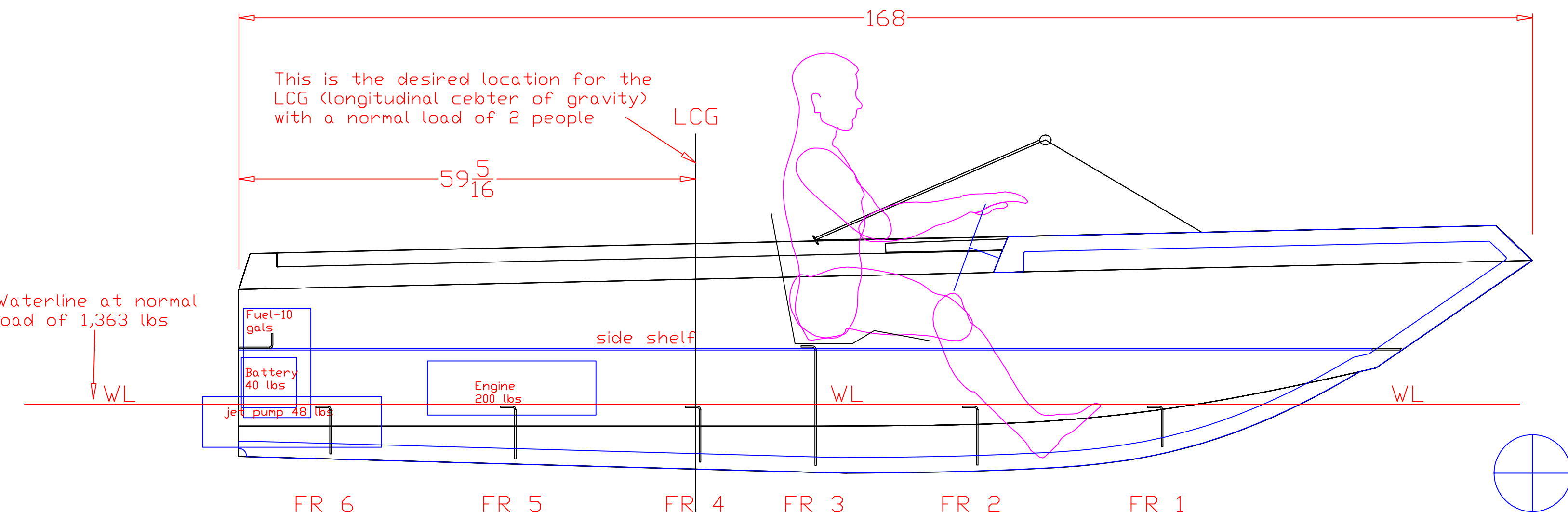
Normal load includes 2 people at 185 lbs each and fuel, engine, and battery at the locations indicated. A full load would be defined as 4 people of 185 lbs each.

Weight of aluminum in hull= 521 lbs  
 Scantlings  
 Hull bottom & chines -- $\frac{3}{16}$ " 5052 H32  
 Sides & Transom & decks-- $\frac{1}{8}$ " 5052 H32  
 Longitudinals and girders-- $\frac{3}{16}$ " 5052 H32

Cope 14ft Jetboat  
 Plate List  
 July 24-2012

1 sheet  $\frac{3}{16}$ "x6ftx20ft 5052 H32  
 1 sheet  $\frac{3}{16}$ "x4ftx12ft 5052 H32  
 2 sheets  $\frac{1}{8}$ "x4ftx20ft 5052 H32  
 1 sheet  $\frac{1}{8}$ "x6ftx10ft 5052 H32  
 1 sheet  $\frac{1}{8}$ " 4ftx8ft 5052 H32

There is a total of 6 sheets  
 Gross weight--888 lbs



Cope 14ft Jetboat  
 Length-----14ft  
 Beam-----5ft 7in  
 Displacement-- Lightship 841 lbs  
 Displacement---Loaded 1,363 lbs  
 Dwl-----11ft 6in  
 Power--inboard with jetpump  
 Designed by A.B.COPE LTD.  
 Designer--Bruce Cope  
 July-2012