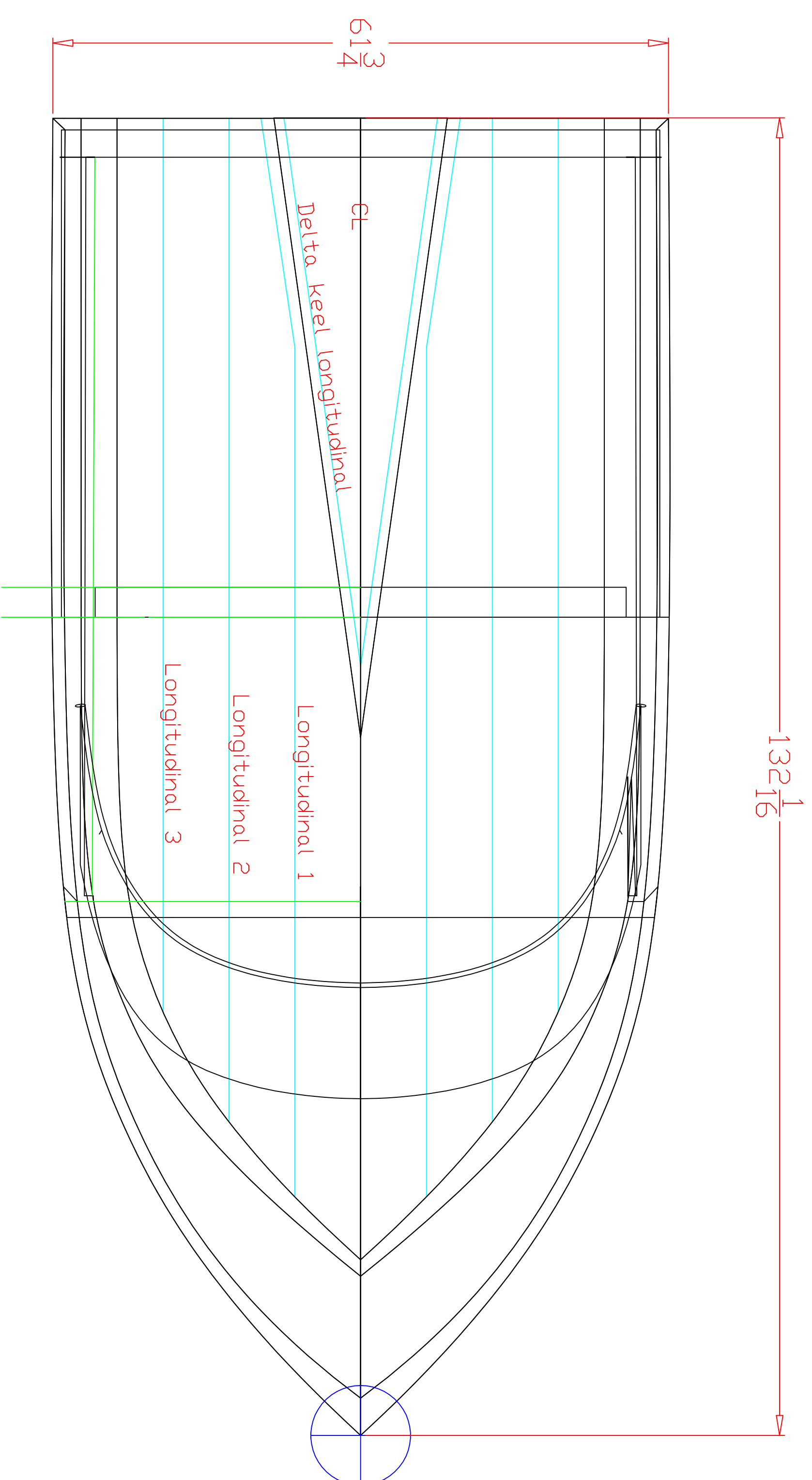
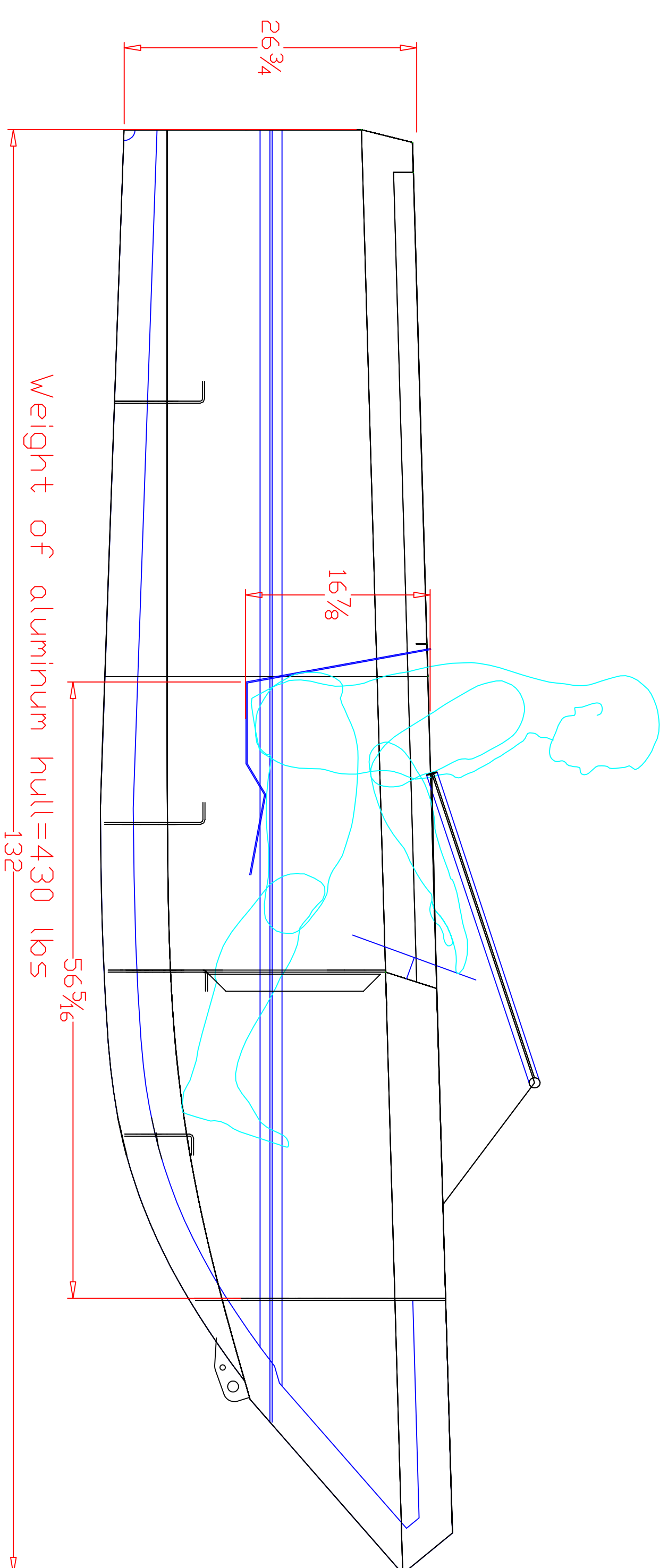
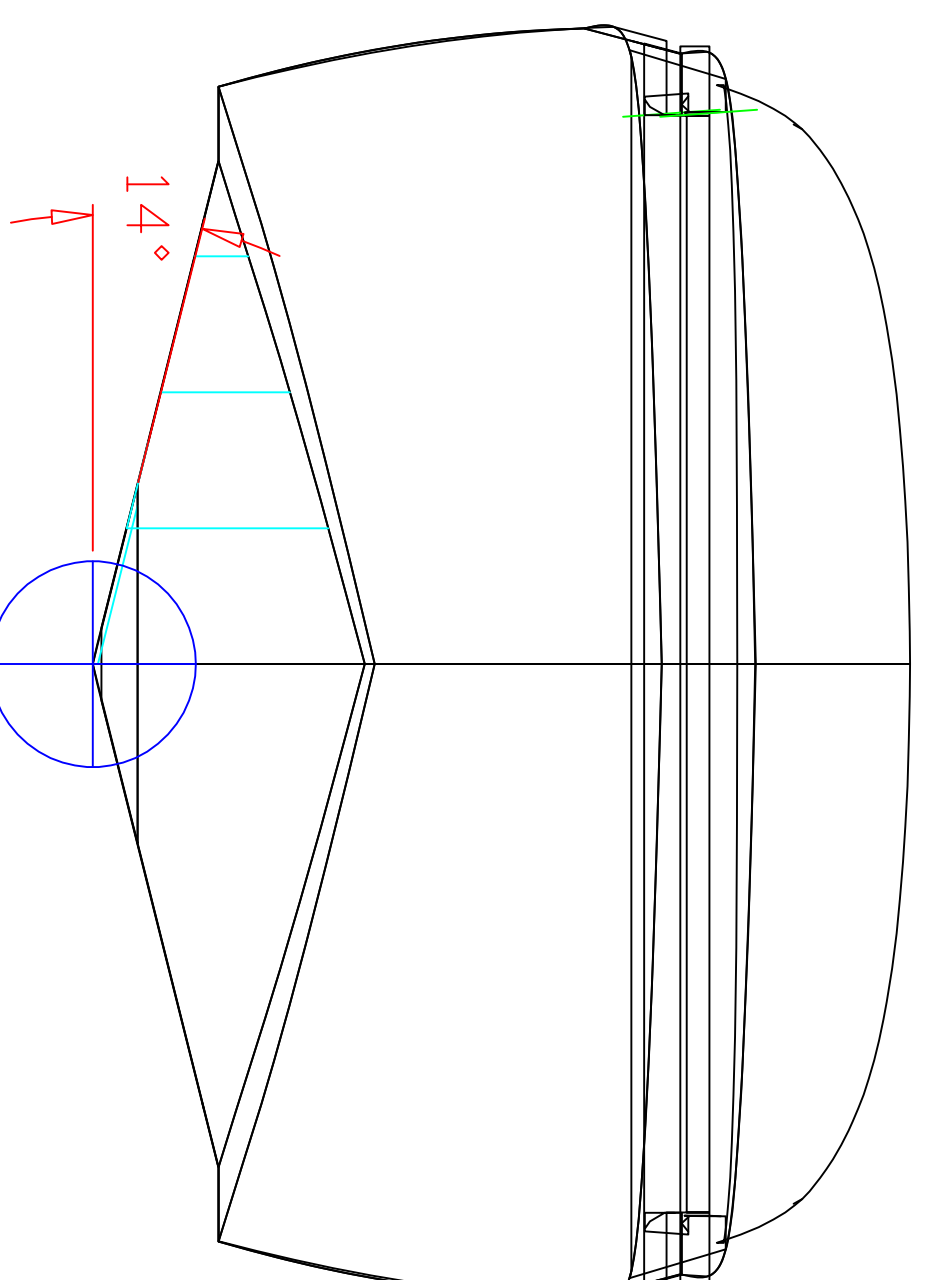
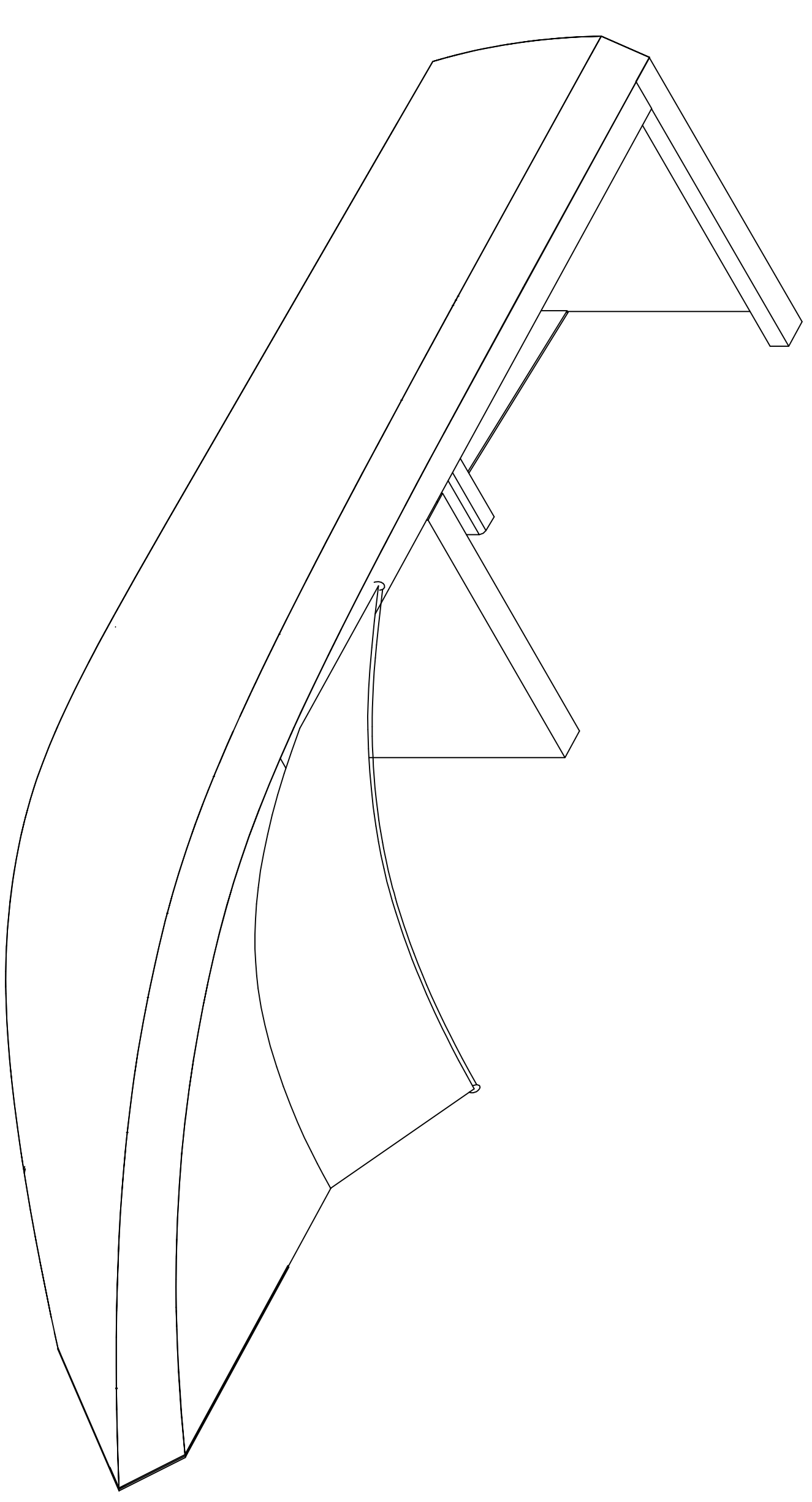
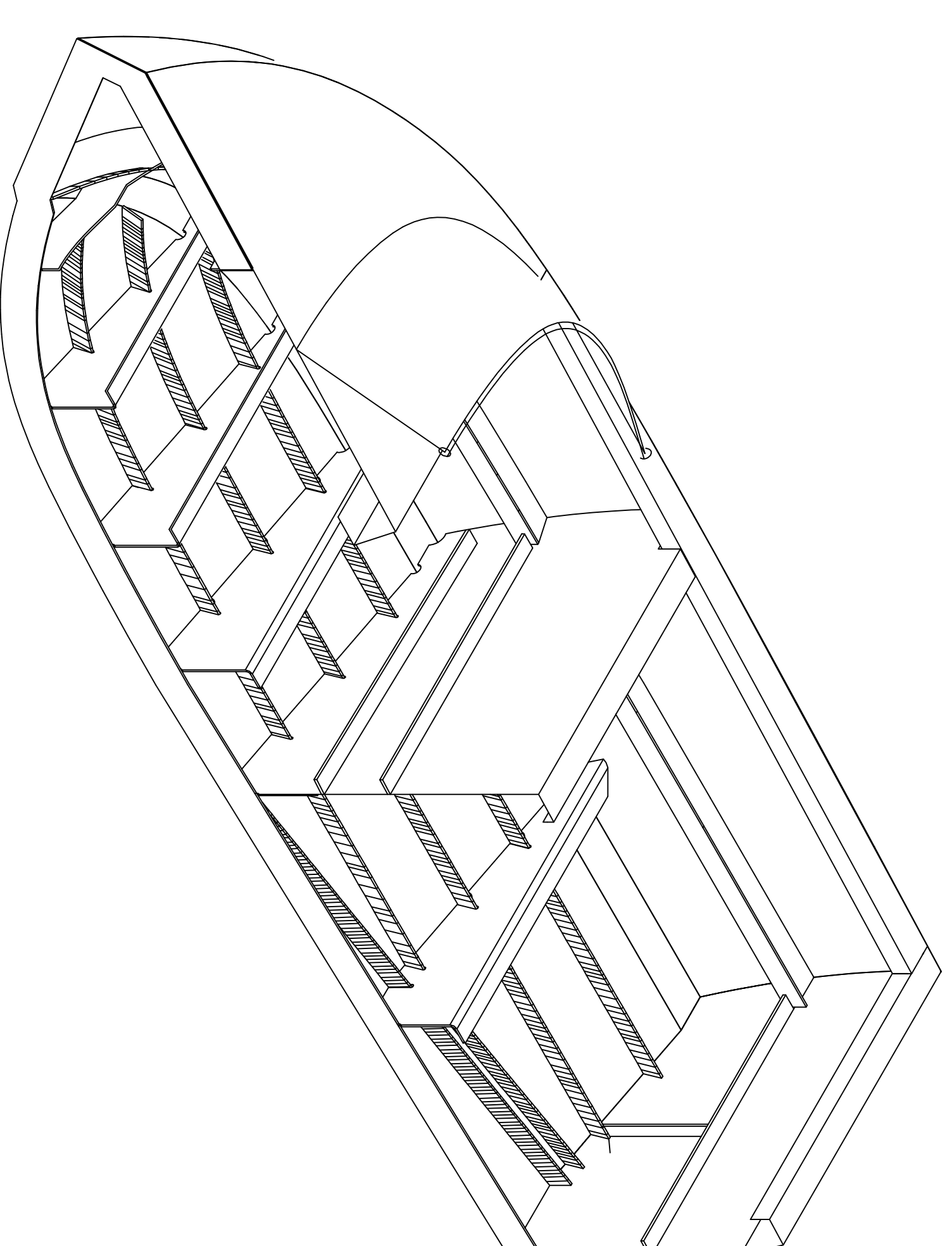
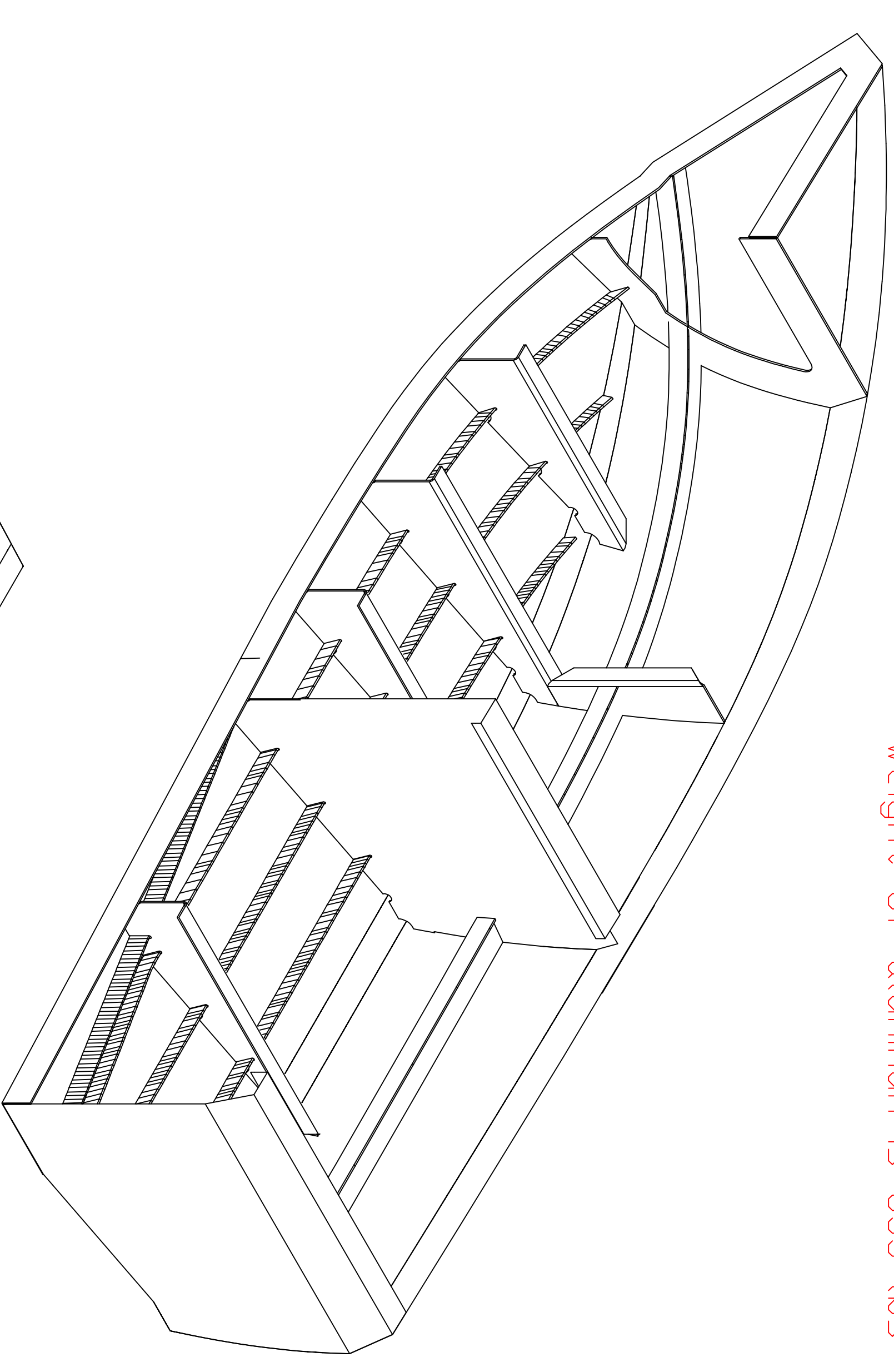


Cope 11ft Jetboat Study Plan



- Cope 11ft Jetboat
Extrusion List
Dct 02-2013
- 1 20ft length 3/8"x2" 6061 T6 flatbar
 - 1 12ft length 3/4" schedule 40 pipe 6063 T5

- Cope 11ft Jetboat
Plate List
Dct 02-2013
- 2 sheets 3/8"x5ftx12ft 5052 H32
 - 1 sheet 1/8"x5ftx12ft 5052 H32
 - 1 sheet 1/8"x4ftx12ft 5052 H32
 - 1 sheet .100 5ftx10ft 5052 H32.
 - 1 sheet .100 5ftx8ft 5052 H32
- There is a total of 6 sheets
Weight of aluminum is 635 lbs



Cope 11ft Jetboat

Length-----11ft
Beam-----5ft 2"
Displacement--Lightship 824 lbs
Displacement--Fully Loaded 1240 lbs
Dwl-----9ft-3/4"n.
Power---inboard with Jetpump

Designed by A.B.COPE LTD.
Designer--Bruce Cope
Dct. 02-2013

P 1

Scale--3/4"=1ft.