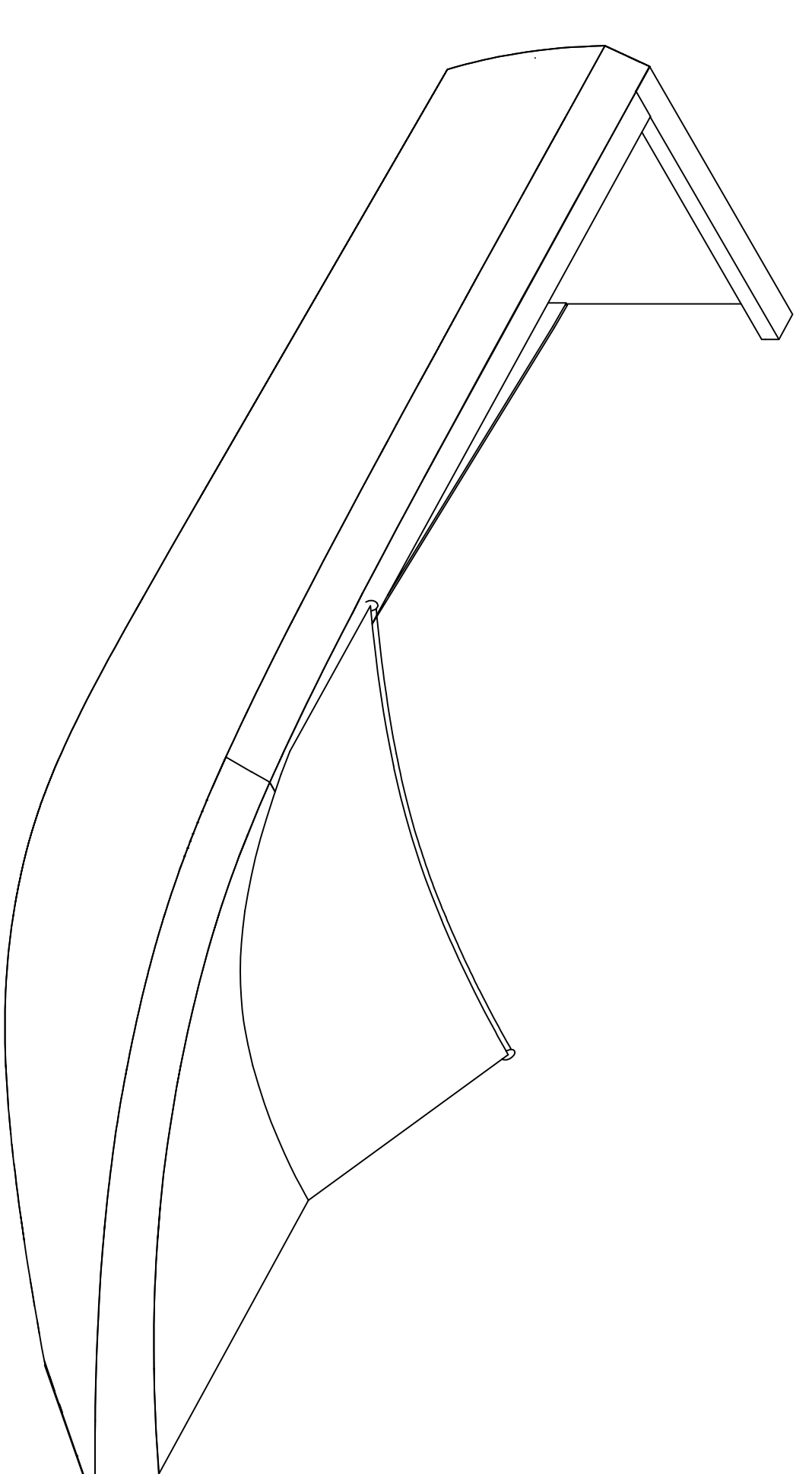
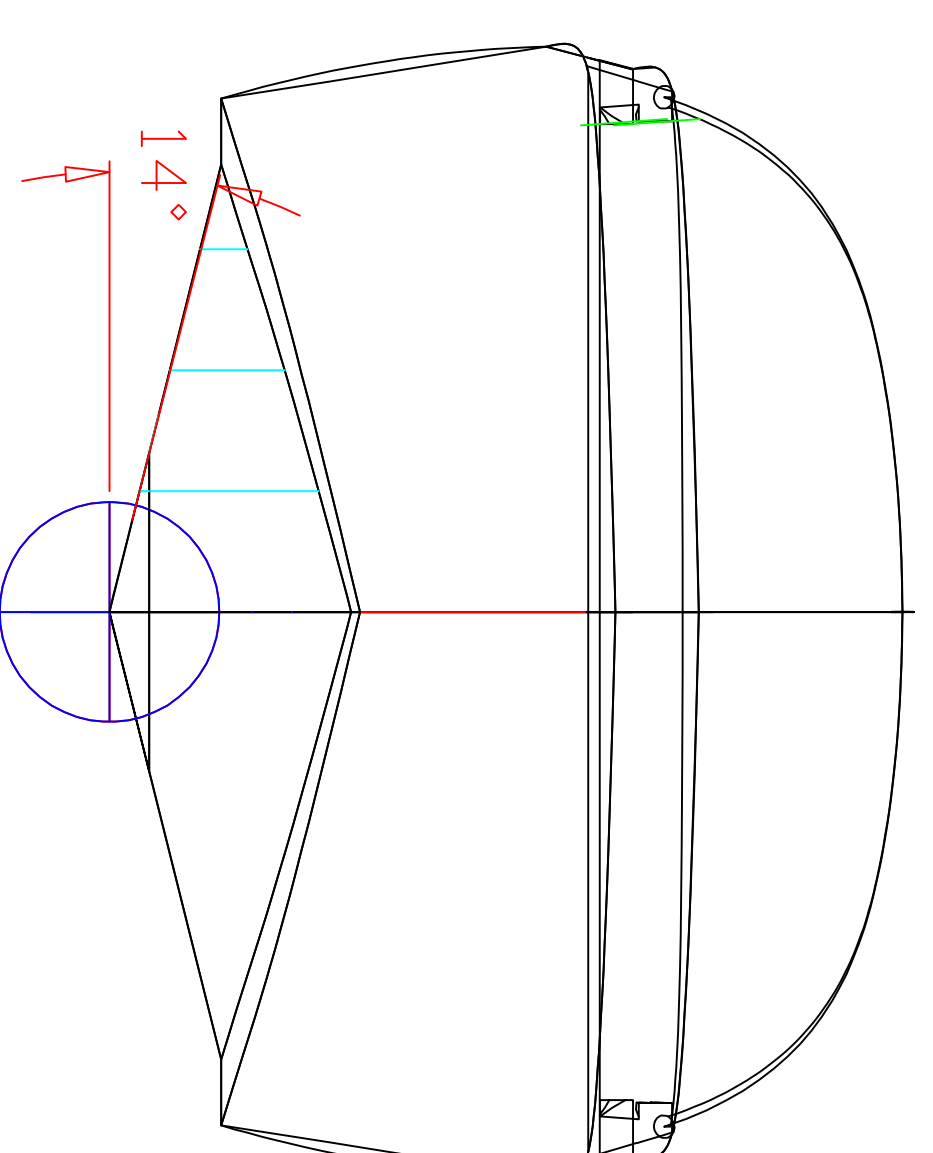
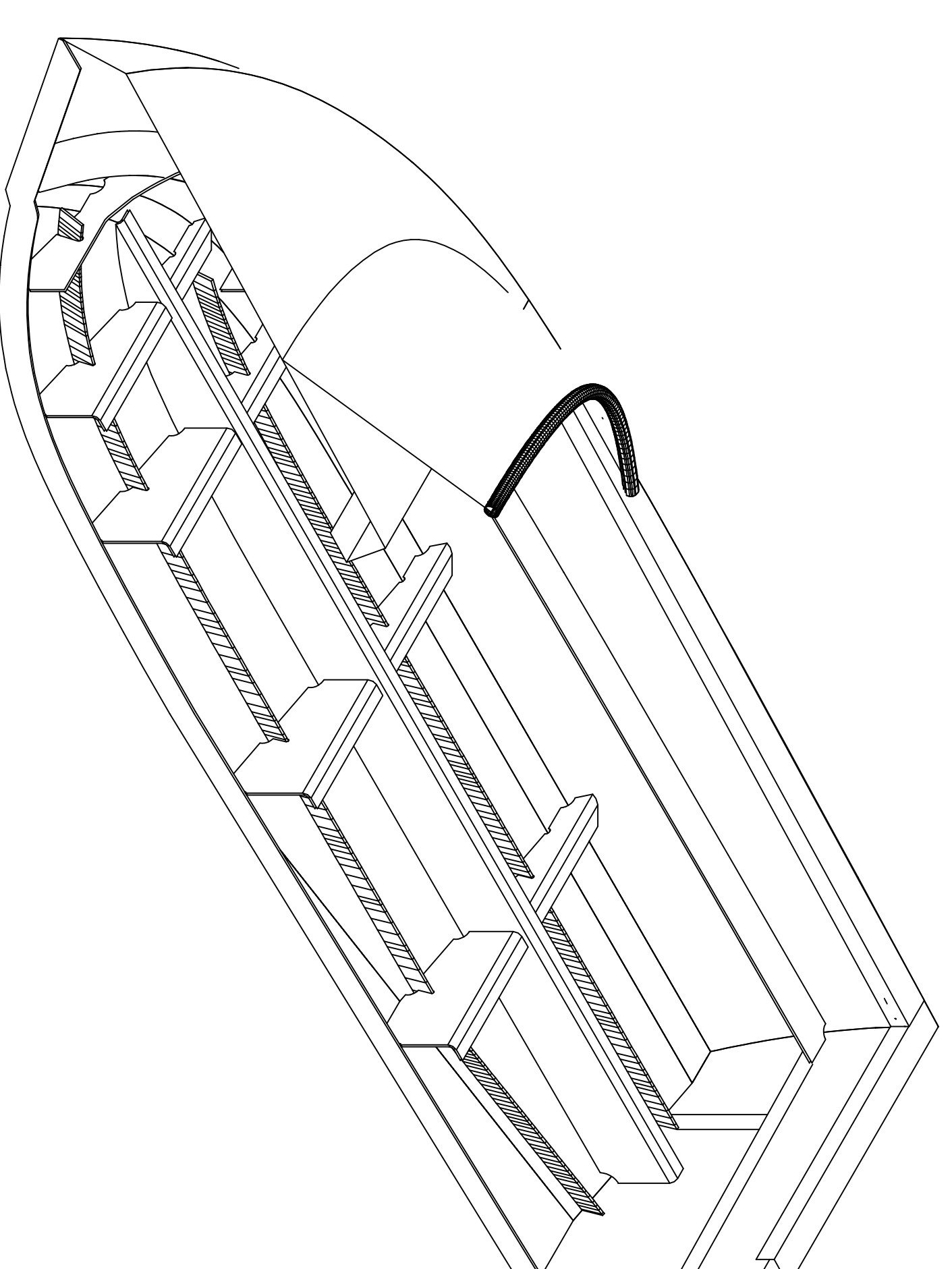
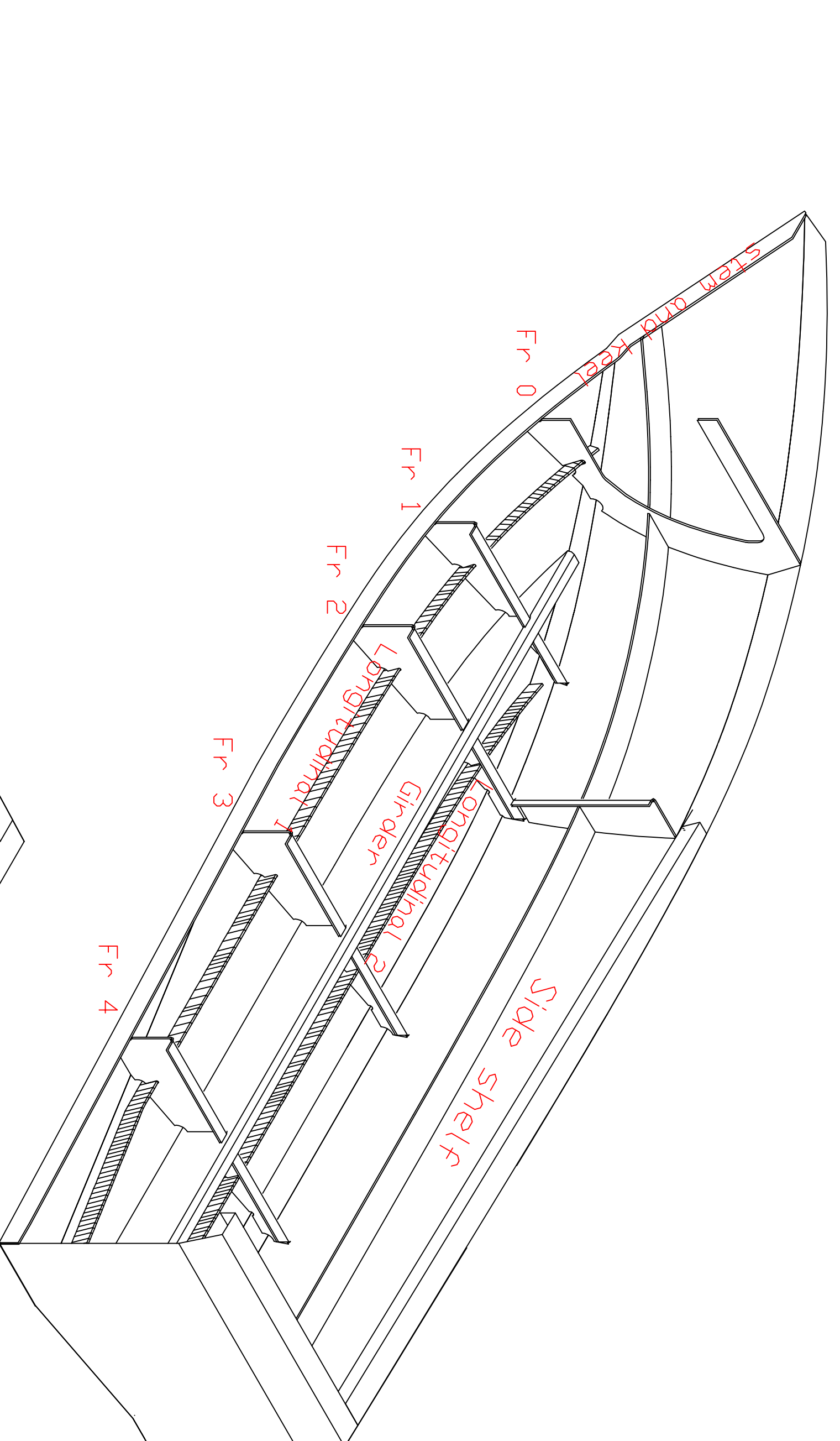
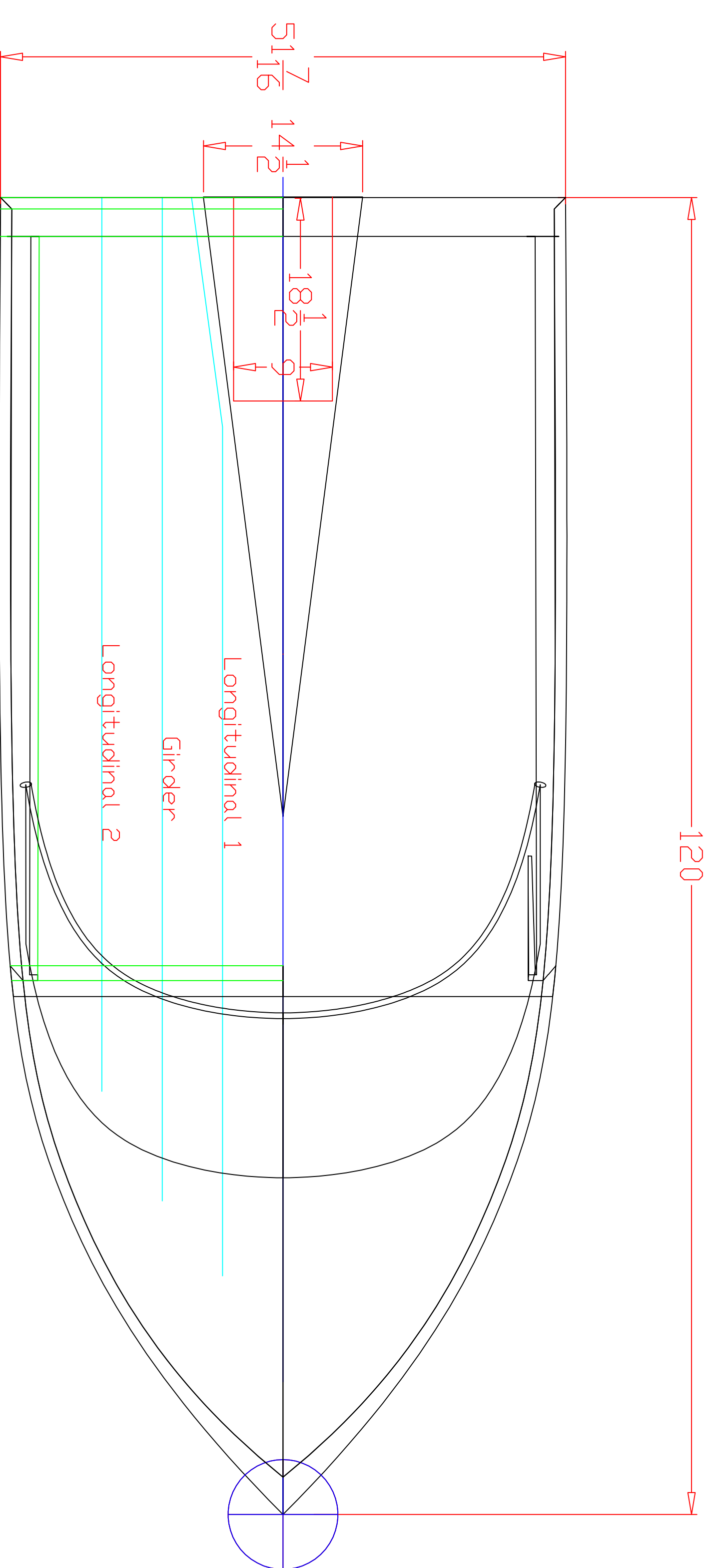
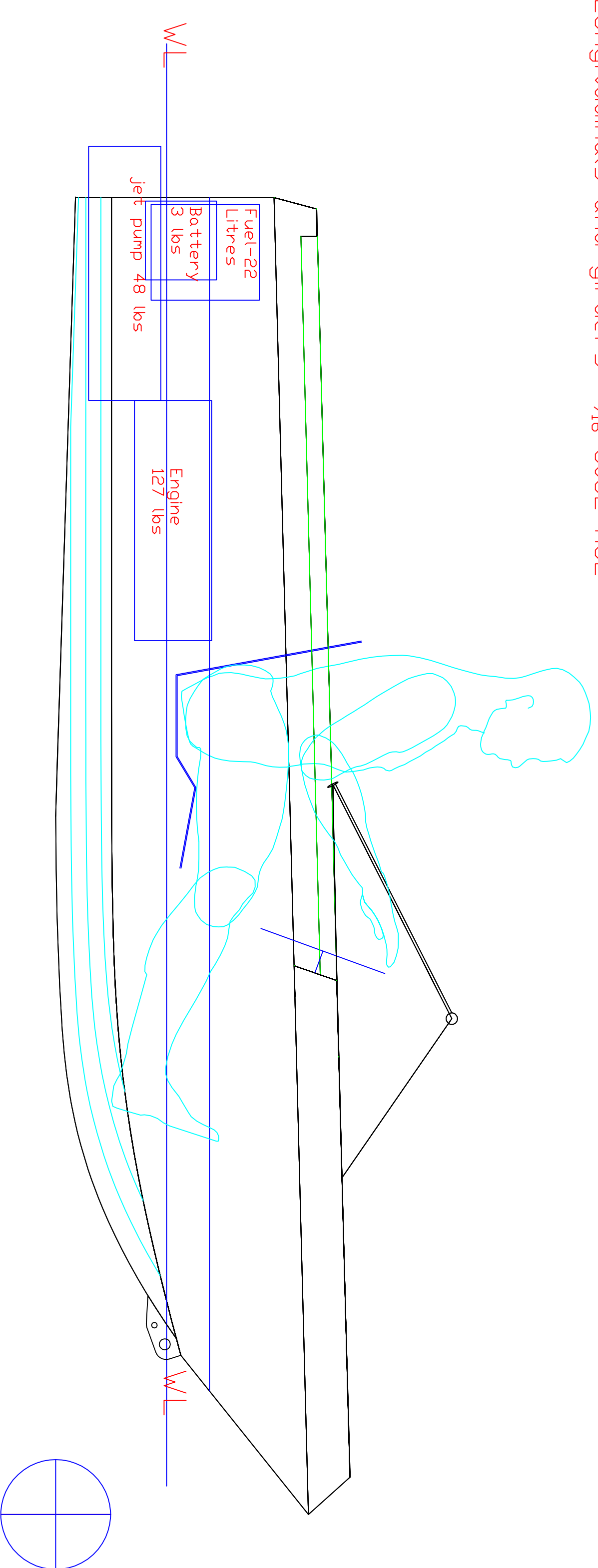


Cope 10ft Jet Boat Study Plan

Waterline is at a displacement of 780 lbs
 Load on board:
 2 people @ 190lbs each
 22 litres fuel

Weight of aluminum in hull=228 lbs

Scantlings
 Hull bottom & chines -- $\frac{3}{16}$ " 5052 H32
 Sides & Transom & decks--.100" 5052 H32
 Longitudinals and girders-- $\frac{3}{16}$ " 5052 H32



Cope 10ft Jetboat

Length-----10ft
 Beam-----4ft 3- $\frac{1}{2}$ "
 Displacement--Lightship 400 lbs
 Displacement--Loaded 780 lbs
 Dwl-----8ft 6- $\frac{1}{2}$ "in.
 Power--Inboard with jetpump

Designed by A.B.COPE LTD.
 Designer--Bruce Cope
 April 19-2012

P 1

Cope 10ft Jetboat
 Plate List
 May 24-2013

1 sheet	$\frac{3}{16}$ "x5ftx10ft	5052 H32
1 sheet	$\frac{3}{16}$ "x4ftx10ft	5052 H32
1 sheet	.100 5ftx12ft	5052 H32.
1 sheet	.100 5ftx8ft	5052 H32

Scale--3/4"=1ft.