

Yellow Point 23 (Cope 23ft Outboard) Study Plan

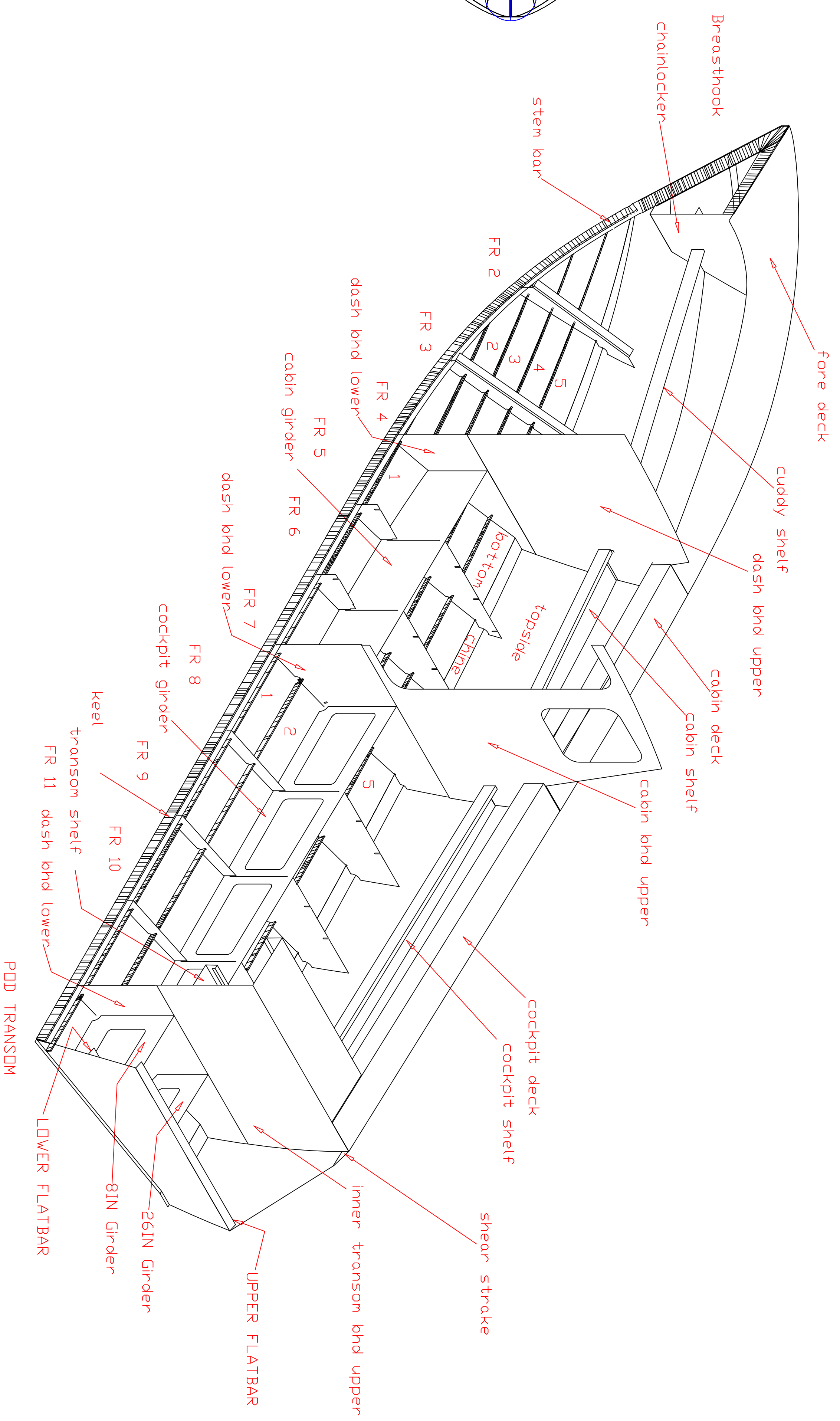
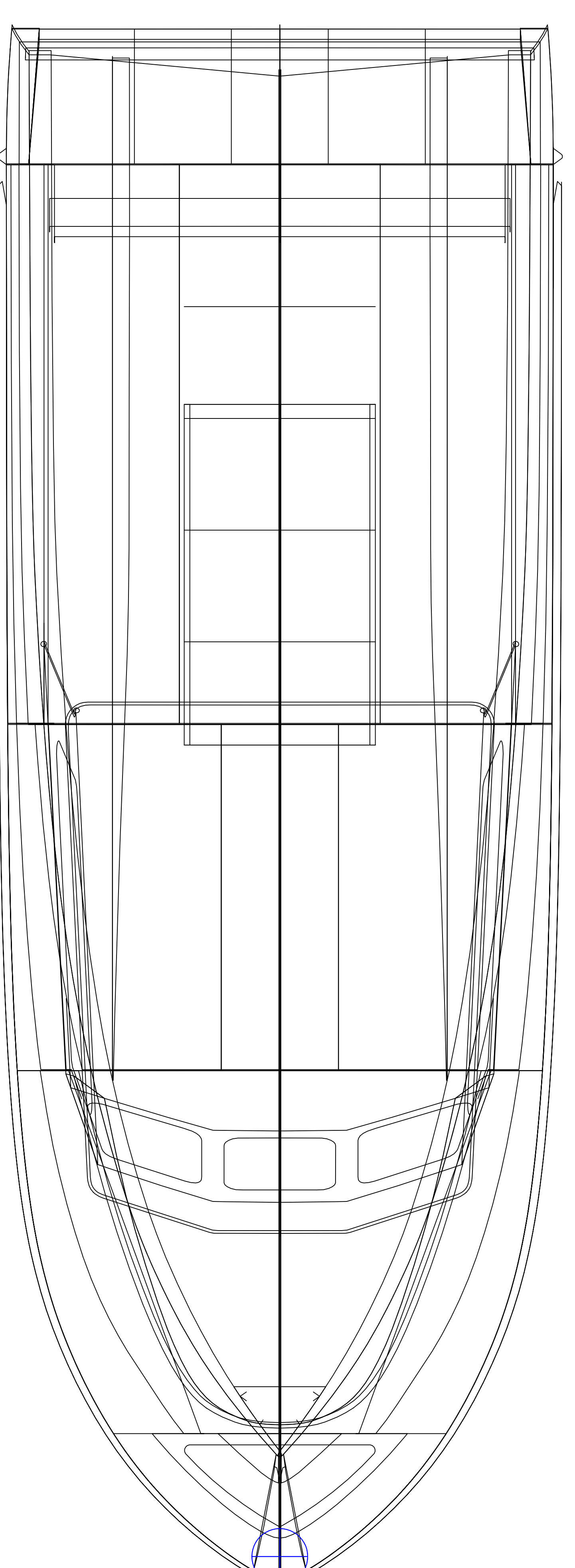
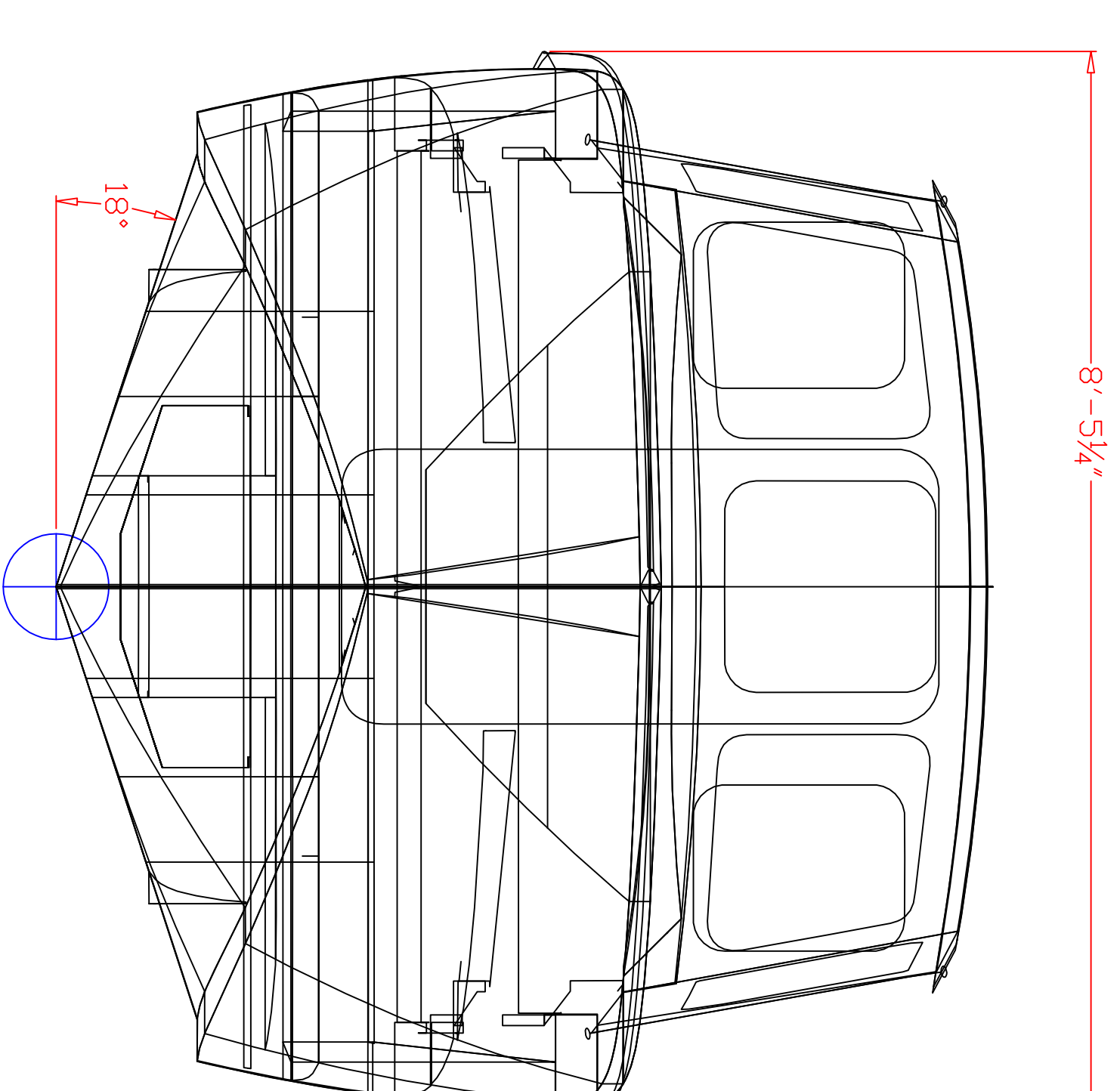
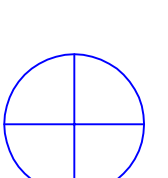
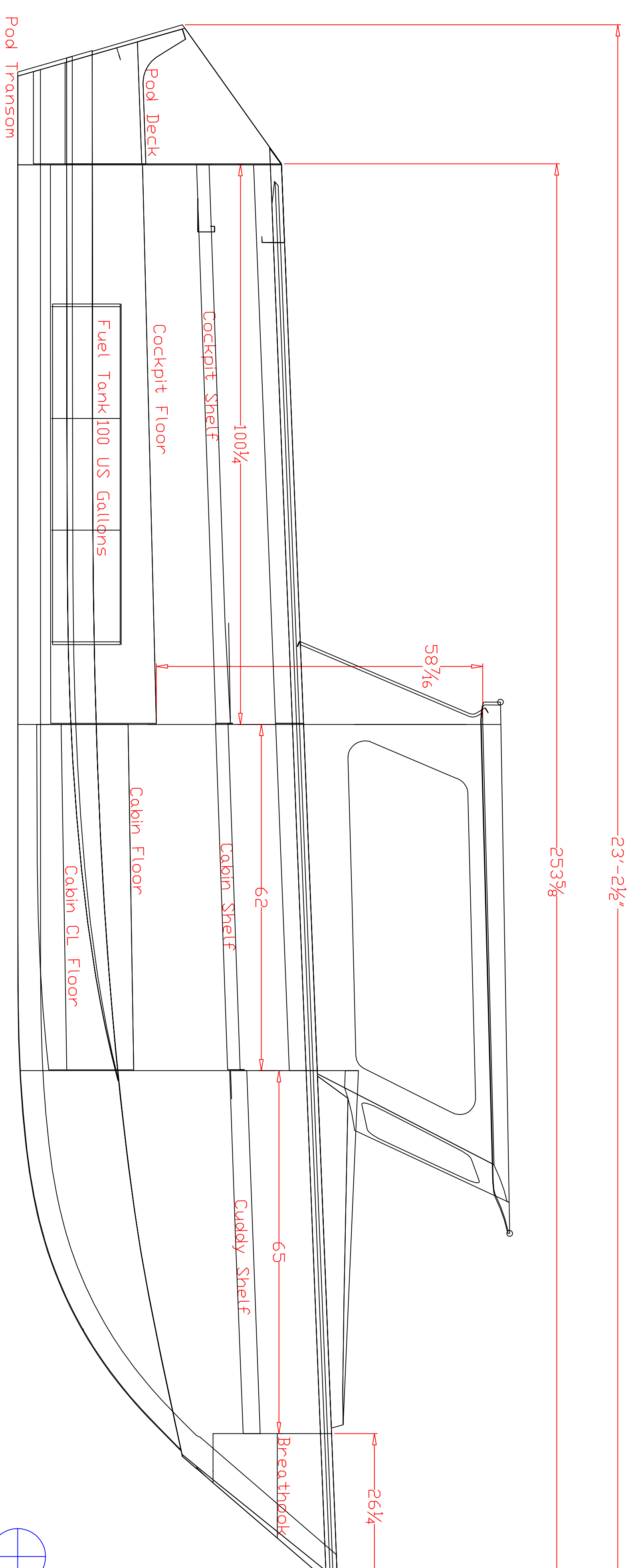
Plate List

Cope 23ft yellowpoint

Mar-1-2017

1/4" sheet	1/4" X 4ft X 25ft	5086 H116
2 sheets	1/4" X 5ft X 20ft	5086 H116
1 sheet	1/4" X 4ft X 20ft	5052 H32
1 sheet	1/4" X 4ft X 20ft	5052 H32
1/2" sheet	1/2" X 8ft X 8ft	5086 H116
1 sheet	1/2" X 8ft X 8ft	5086 H116
3/8" sheet	3/8" X 4ft X 20ft	5086 H116
1 sheet	3/8" X 4ft X 20ft	5086 H116
1/8" sheet	1/8" X 4ft X 25ft	5086 H116
2 sheets	1/8" X 4ft X 20ft	5052 H32
1 sheet	1/8" X 4ft X 20ft	5052 H32
1 sheet	1/8" X 6ft X 20ft	5052 H32
3/16" sheet	3/16" X 6ft X 20ft	5052 H32
2 sheets	3/16" X 5ft X 20ft	5052 H32
1 sheet	3/16" X 4ft X 20ft	5052 H32
1 sheet	3/16" X 4ft X 20ft	5052 H32

There is a total of 14 sheets



Cope 23ft Yellow Point Twin Outboard Model

Length-----23ft 2in
Beam-----8'-6" with 2" D rubber gunwale
Displacement-----4000 lbs
Dwt-----19ft 8-3/4"
Power-----Twin outboards to 260 HP

Designed by A.B.CDPE LTD.
Designer-Bruce Cope
March 3 2017