

Cope 23ft Forward Cabin Winter Harbour 23 Study Plan

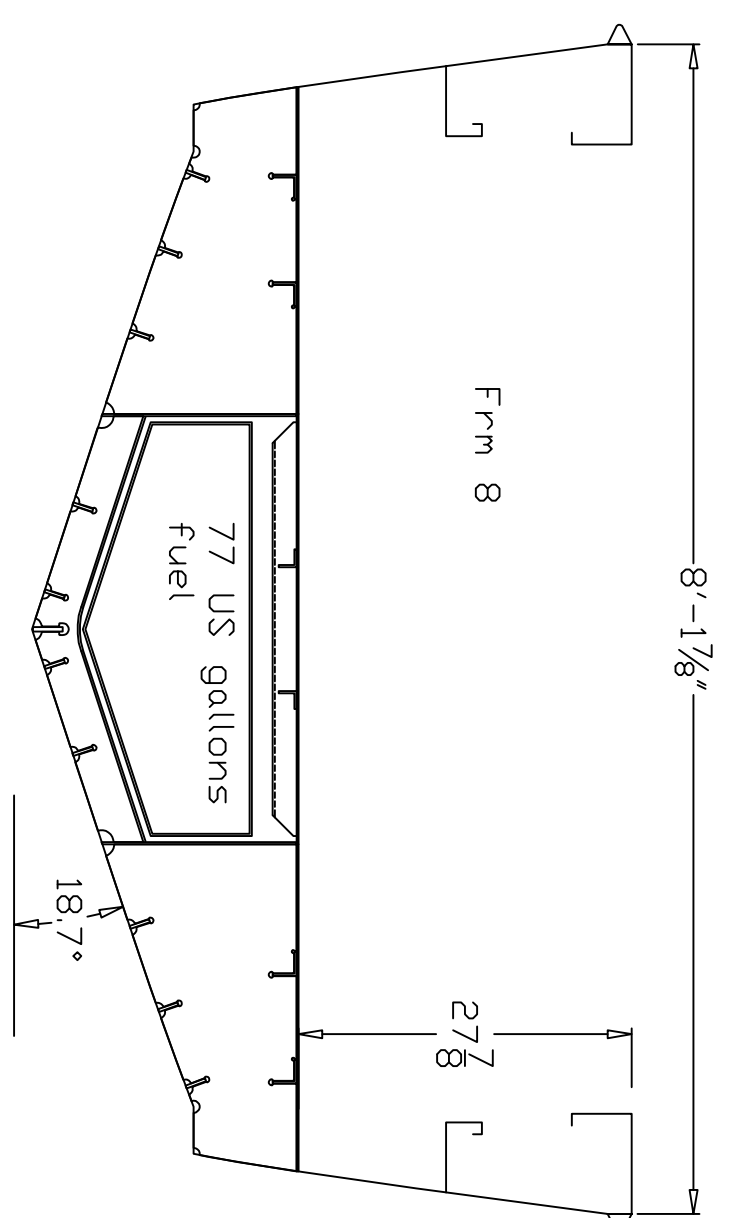
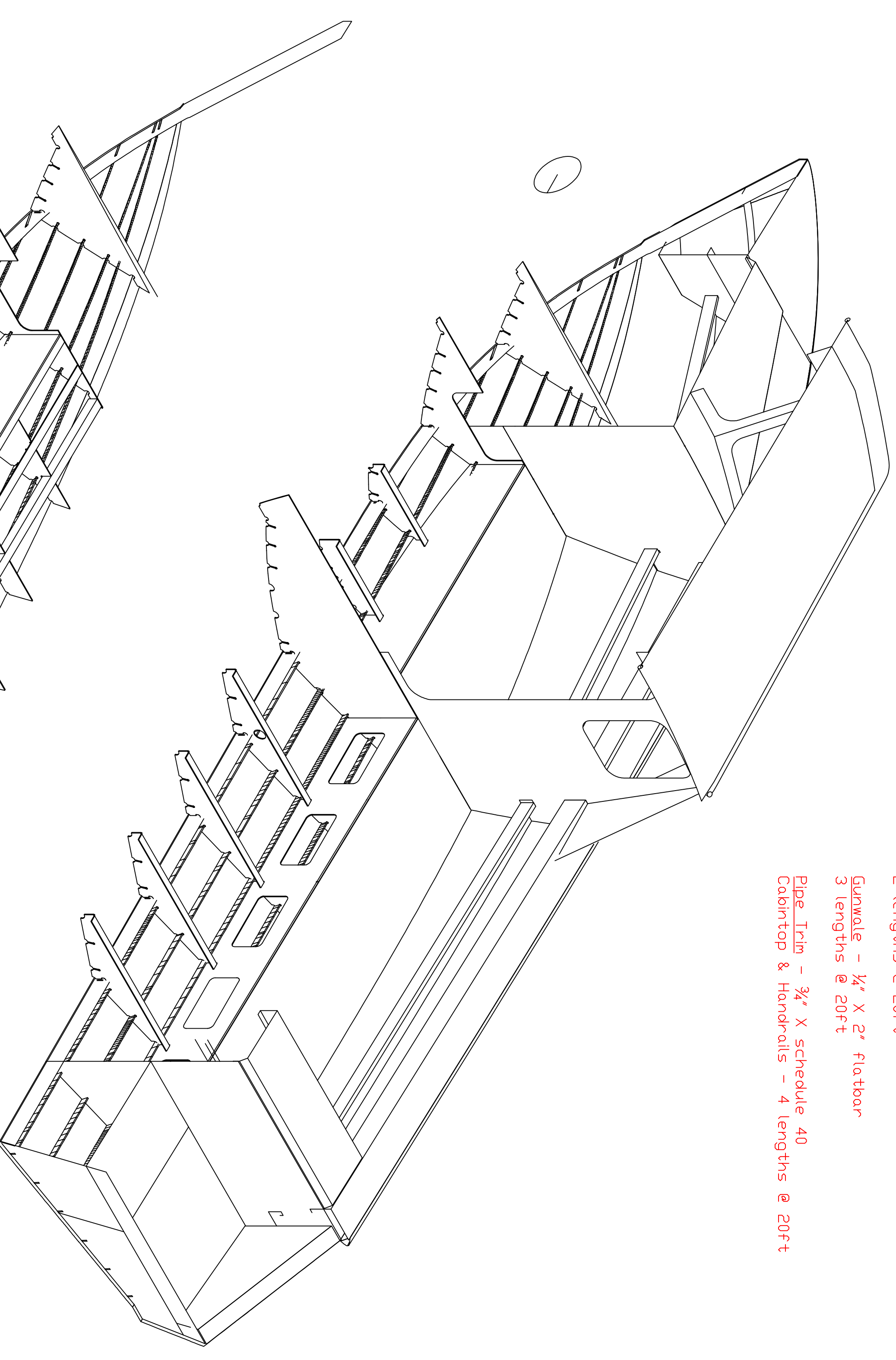
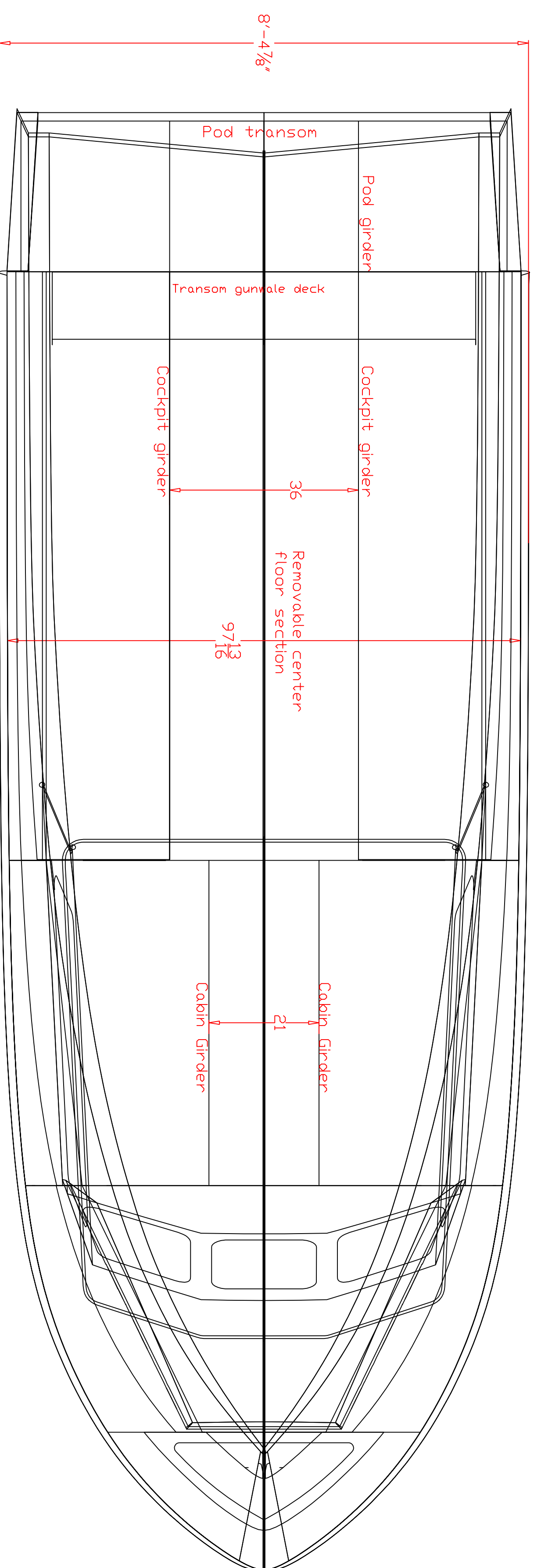
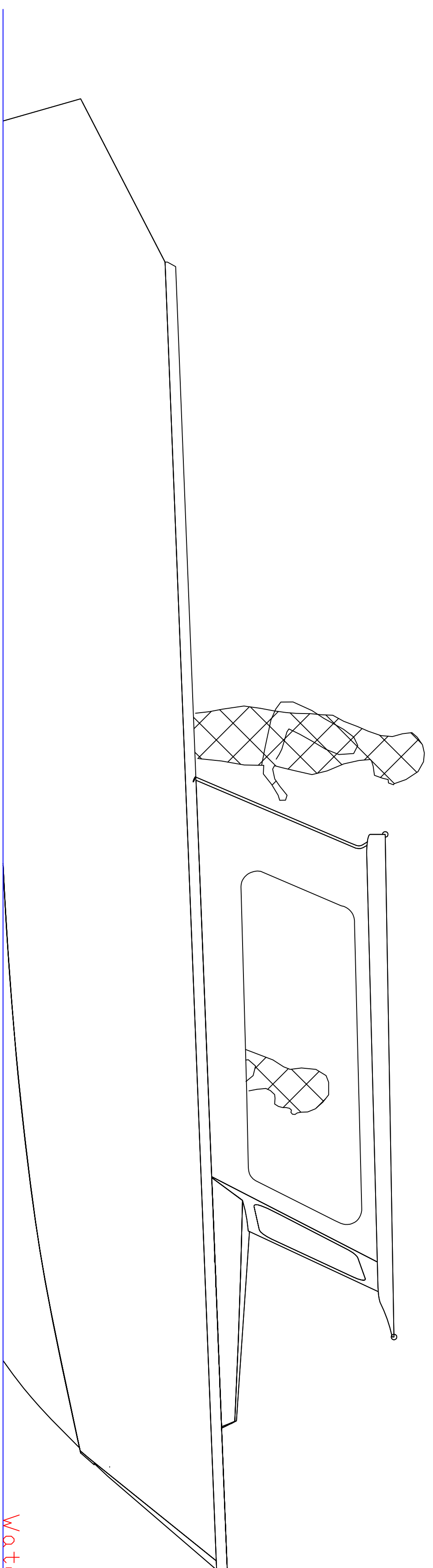
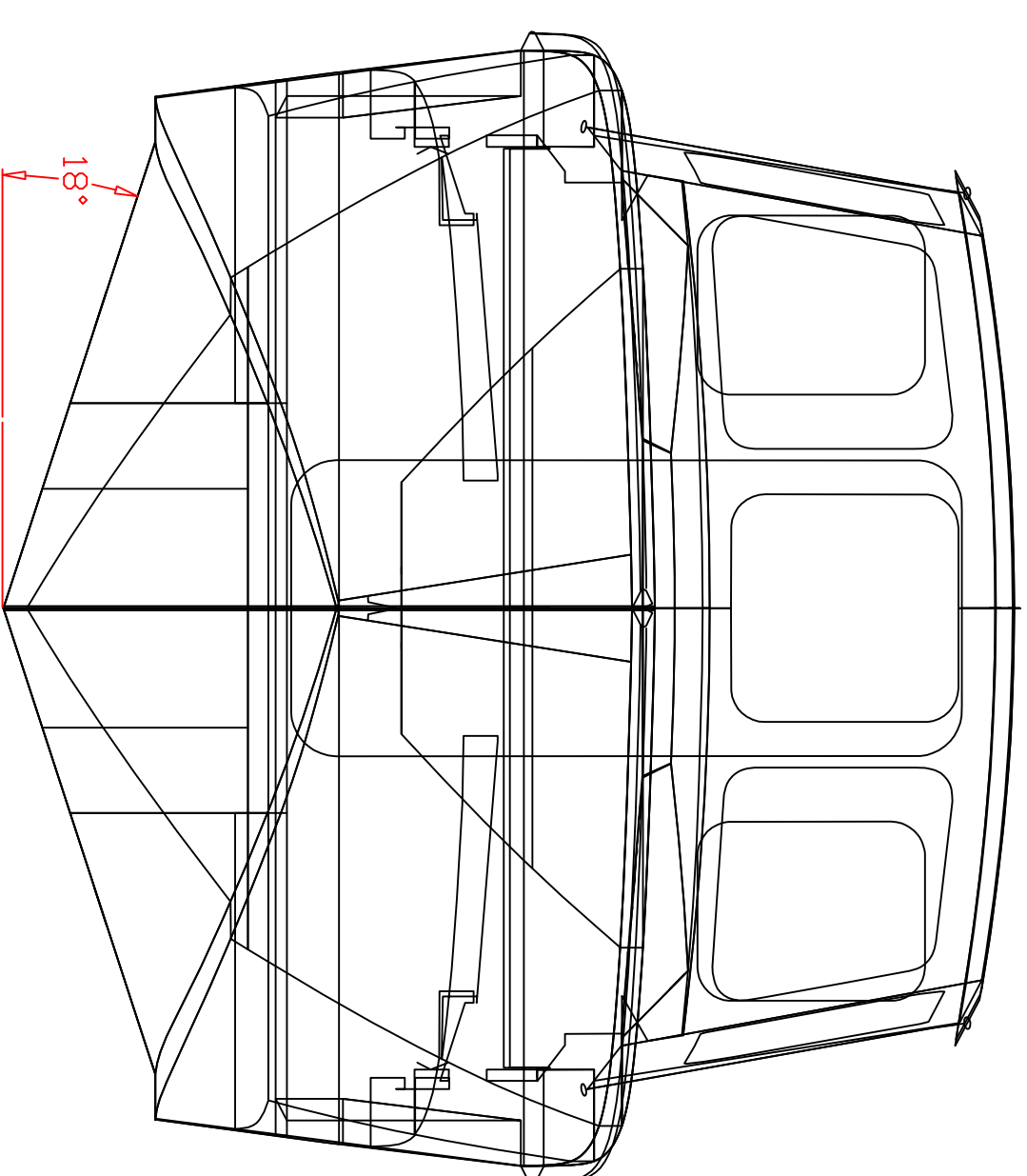
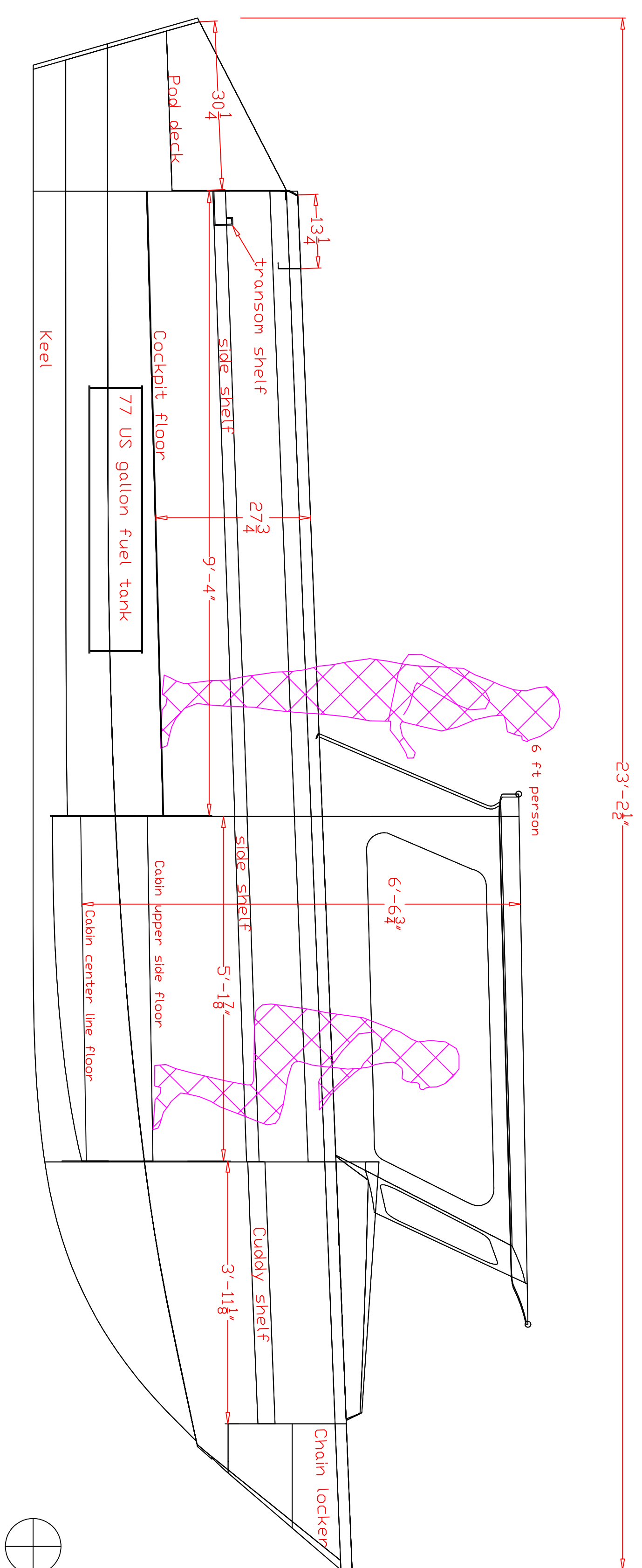


Plate List

Cope 23ft Fwd Cabin
Winter Harbour 23
Twin Outboard Model
May 14-2008

- 3/8" sheet ---- 3/4x4ftx8ft 5086 H116
 - 1/2" sheet ---- 3/4x4ftx8ft 5086 H116
 - 1/2" sheet ---- 1/4x4ft x20ft 5086 H116
 - 3/8" sheet ---- 3/4x4ftx25ft 5086 H116
 - 2 sheets ---- 3/4x5ftx20ft 5052 H32
 - 1 sheet ---- 3/4x5ftx12ft 5052 H32
 - 3/8" sheet ---- 3/4x5ftx25ft 5086 H116
 - 2 sheets ---- 3/4x5ftx20ft 5052 H32
 - 1 sheet ---- 3/4x4ftx8ft 5052 H32
 - 1/2" sheet ---- 1/2x6ftx20ft 5052 H32
- There is a total of 14 sheets

Winter Harbour 23 Extrusion List

- Floor Stiffeners - 3/8" X 1-1/2" X 1-1/2" angle bar
6 lengths @ 20ft
- Bulldozer Transom Stiffeners - 3/8" X 2" X 1-1/2" angle bar
4 lengths @ 20ft
- Cabin/beam - 1" X 1" X 1" square tube
2 lengths @ 20ft
- Keelson and Transom Stiffening - 3/8" X 2-1/2" flatbar
2 lengths @ 20ft
- Gunwale - 1/2" X 2" flatbar
3 lengths @ 20ft
- Pipe Trim - 3/4" X schedule 40
Cabin/trim & Handrails - 4 lengths @ 20ft

Cope 23ft + Forward Cabin
Winter Harbour 23
Twin Outboard Model

Length-----23ft 2in
Beam-----8'-6" with 2" D rubber gunwale
Displacement--Full load 5,386 lbs
DWT-----19ft 8-3/4"
Power-----1 Min outboards to 300 HP
Deadrise-----18 degrees

Designed by ABCOPE LTD.
Designer-Bruce Cope
May 15-2008