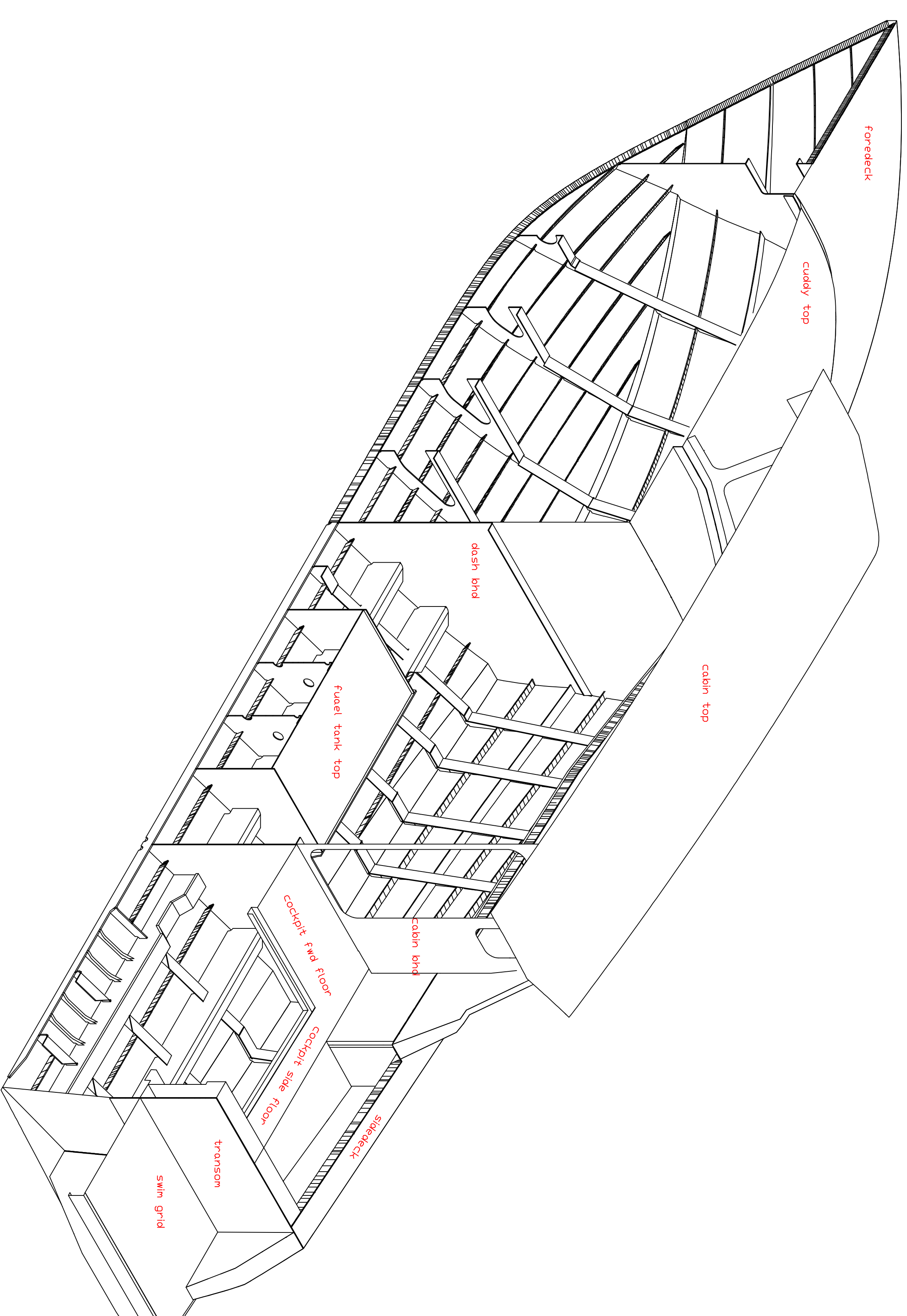
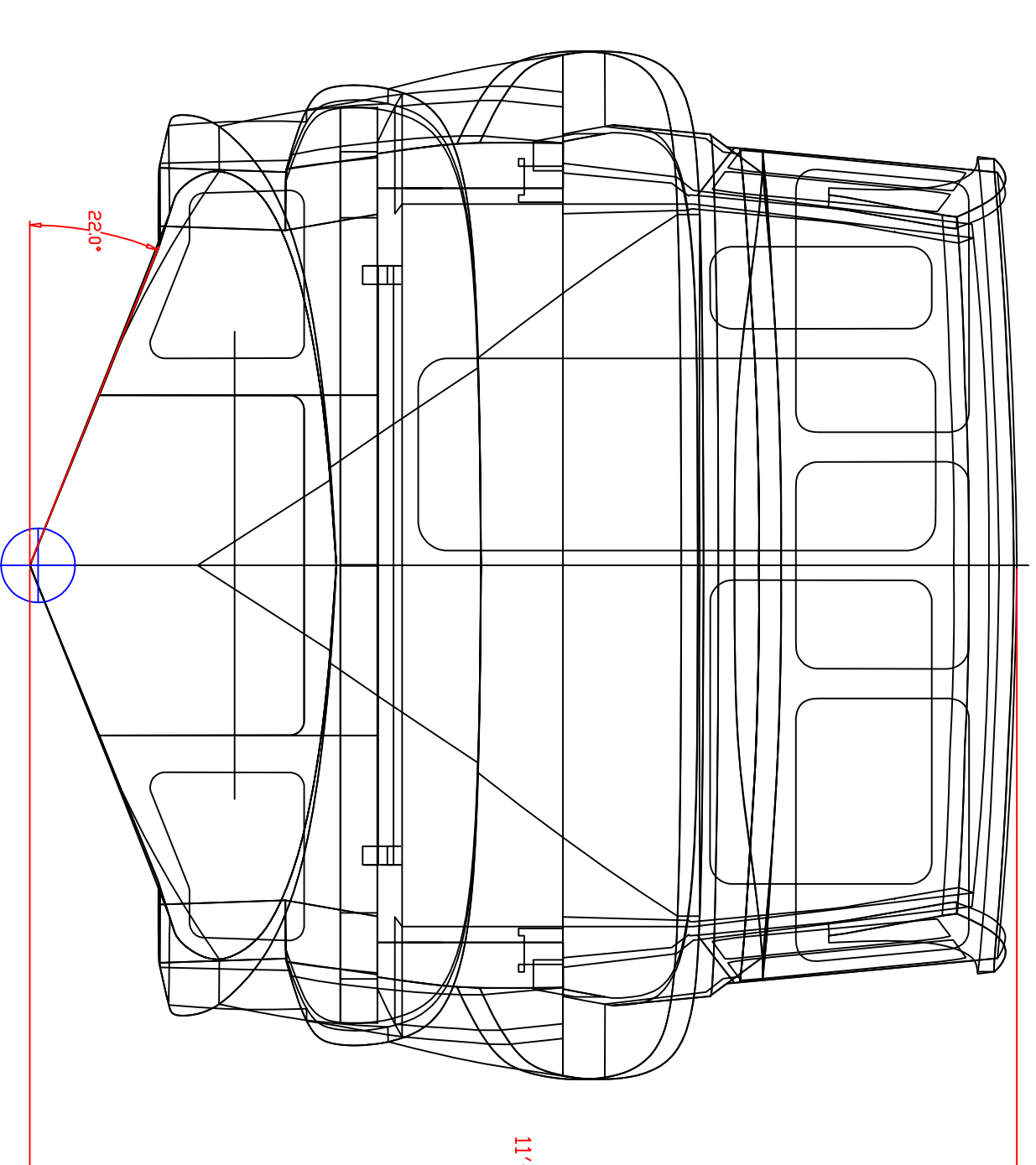
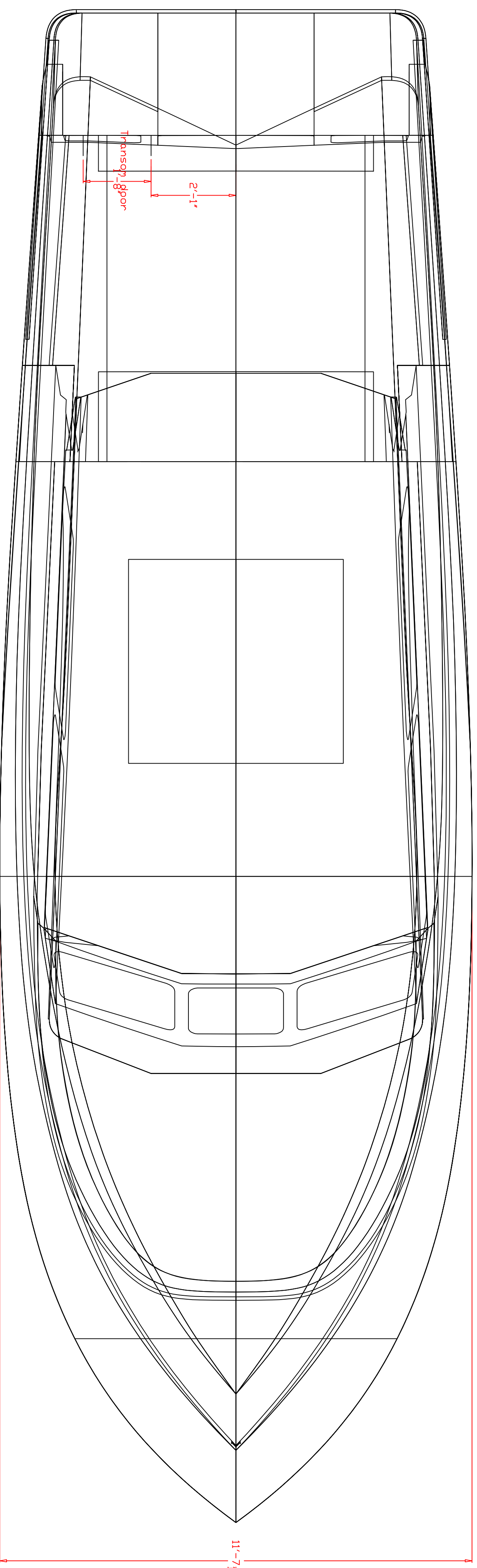
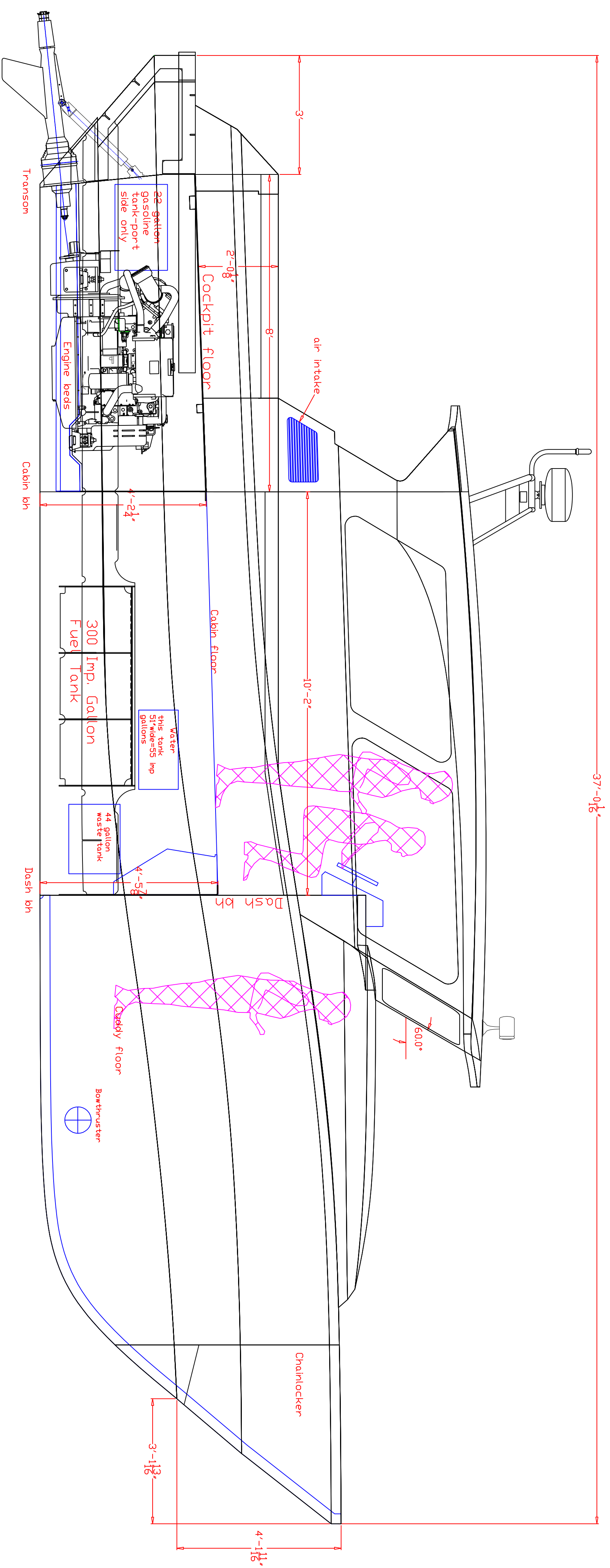


Cope Off Shore 34 (34ft Fast Cruiser Surface Drive) Study Plan



- Plate List**
- Cope 34ft Offshore Cruiser
 Arneson Surface Drive Model
 Cummins QSC 8.3
 June 8-2000
- 3/4" plate-5086 H116
1 sheet 4ft x 12ft
 - 3/8" plate-5082 H32
1 sheet 5ft x 20ft
 - 1 sheet 4ft x 12ft
 - 1/2" 5086 H116
4 sheet 6ft x20ft
 - 3 sheet 5ft x 20ft
 - 1/2" 5082 H32
4 sheets 5ft x 20ft
 - 3/4" 5086 H116
5 sheets 5ft x20ft
 - 3/4" 5082 H32
1 sheet 5ftx10ft
 - 3/4" 5082 H32
3 sheets 6ftx20ft
 - 3 sheets 5ftx20ft
 - 1 sheet 4ftx20ft
- There is a total of 36 sheets

Cope : Offshore 34
34ft Fast Cruiser
 Length-----34ft plus 3ft stem/d
 Displacement-Lightslip-----13,470 lbs
 Displacement-Water-----17,317 lbs
 Power-----Single Cummins QSC 8.3 600 hp
 Transom-----22 degrees
 Designer- Bruce Cope
 June 8-2000
 Scale--3/4"=1ft.