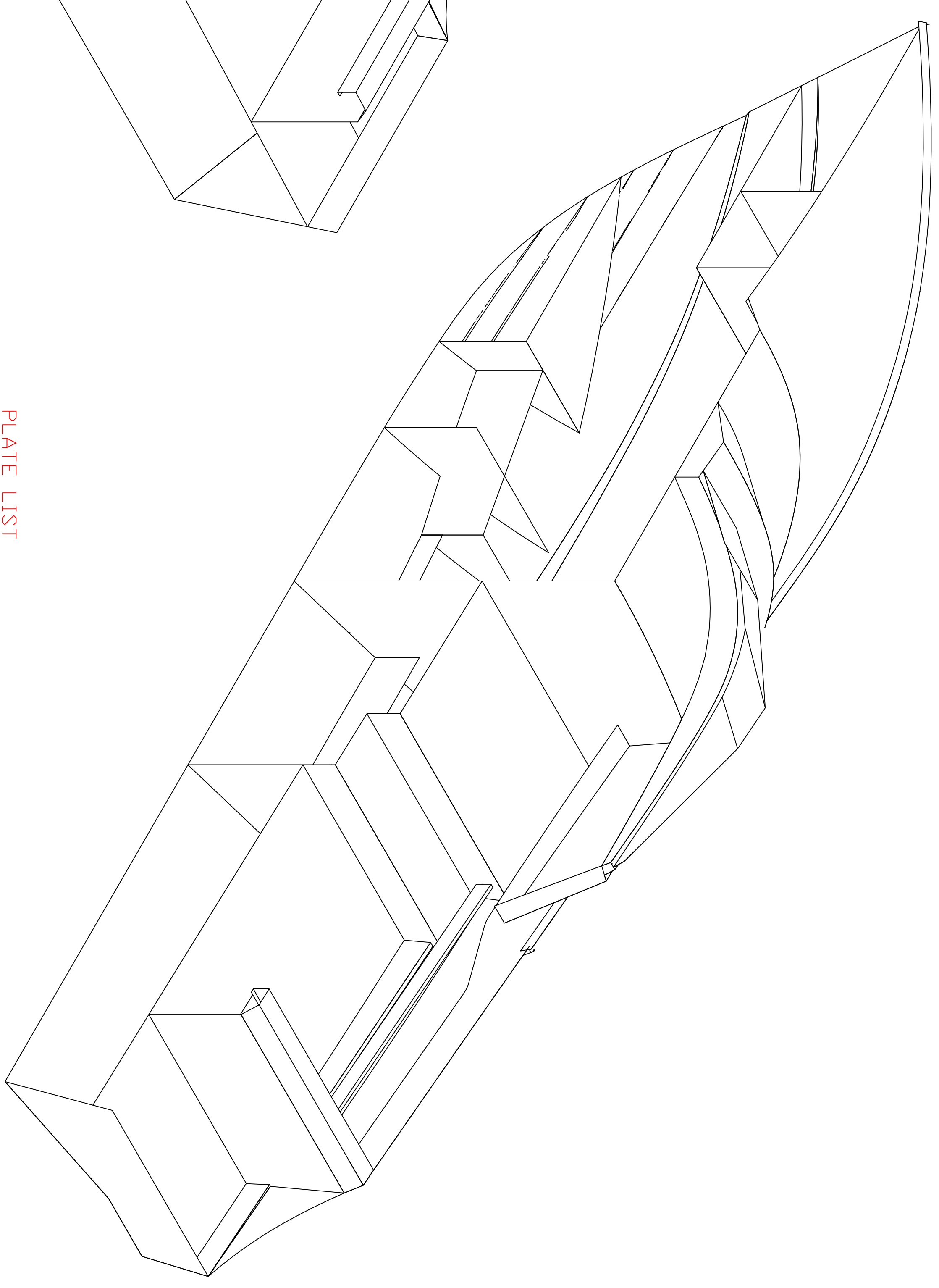
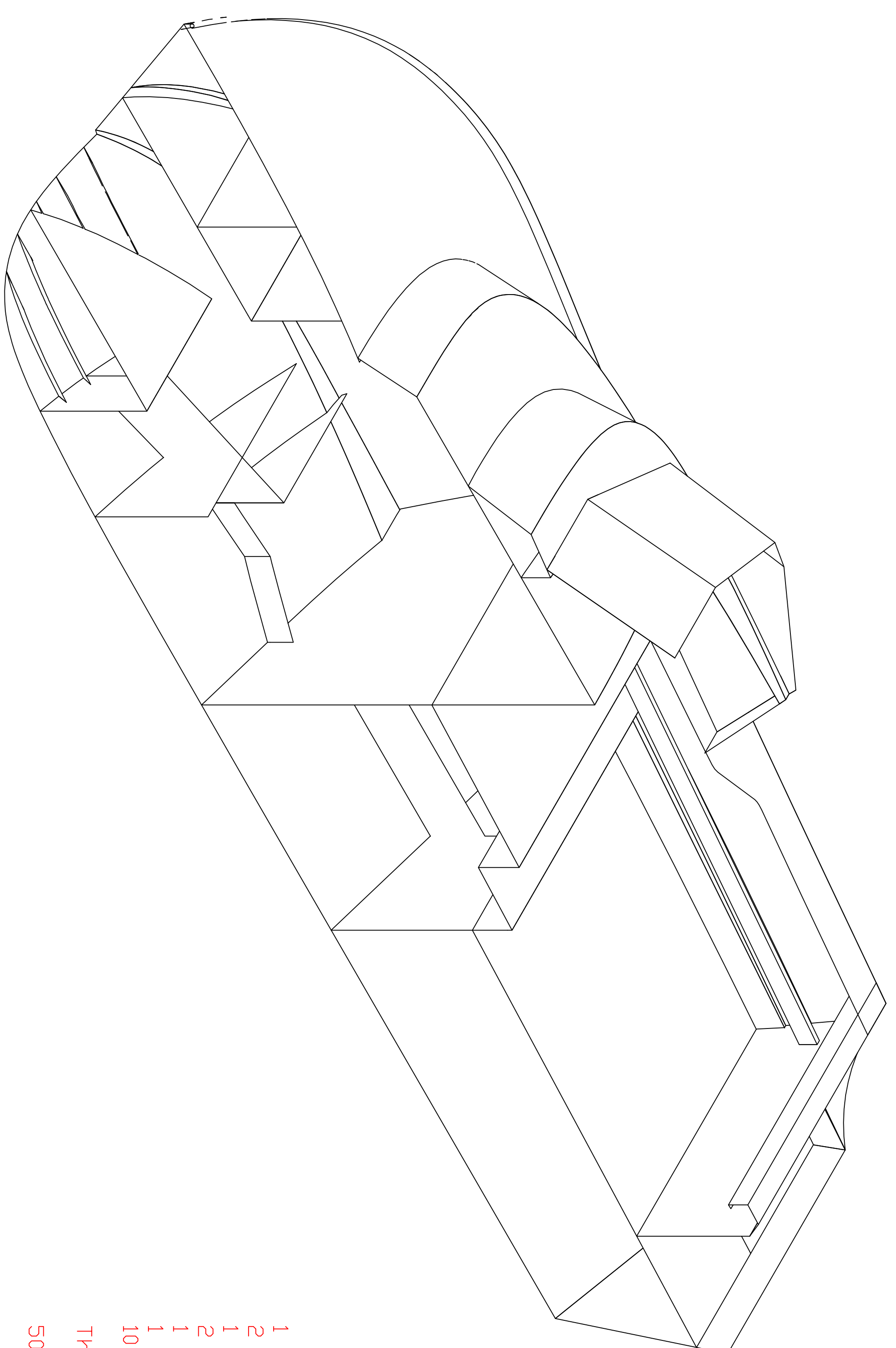
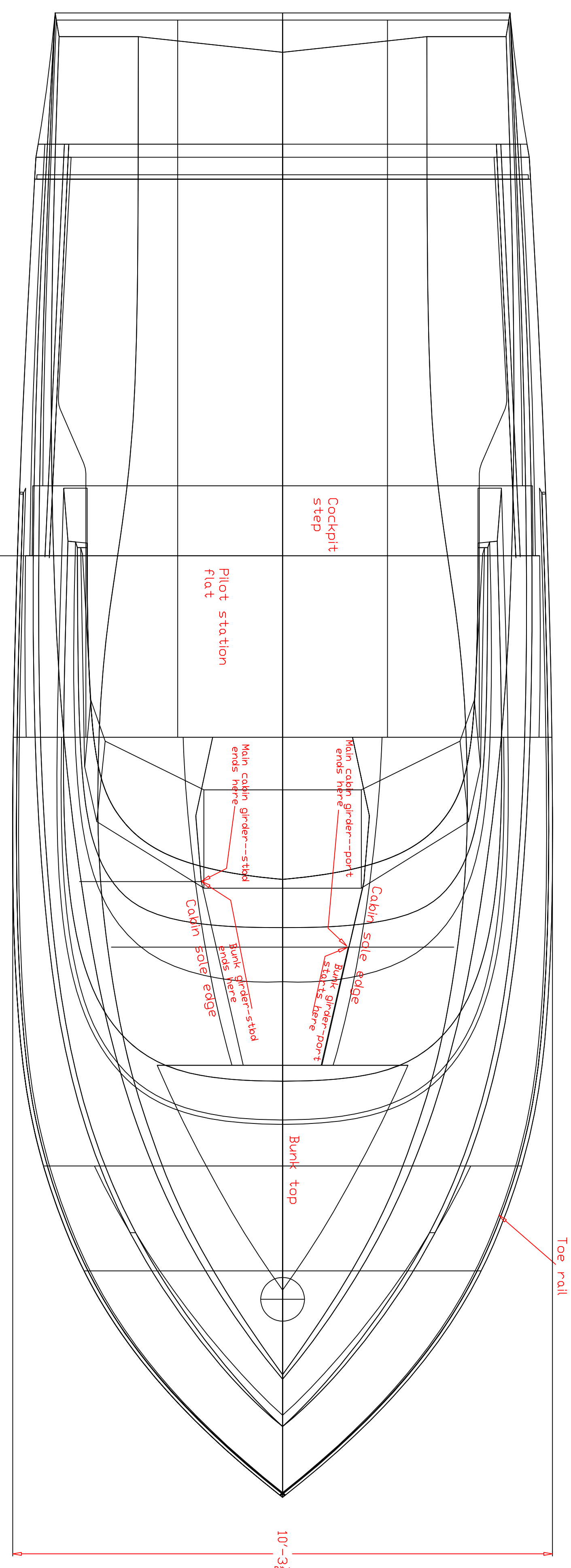
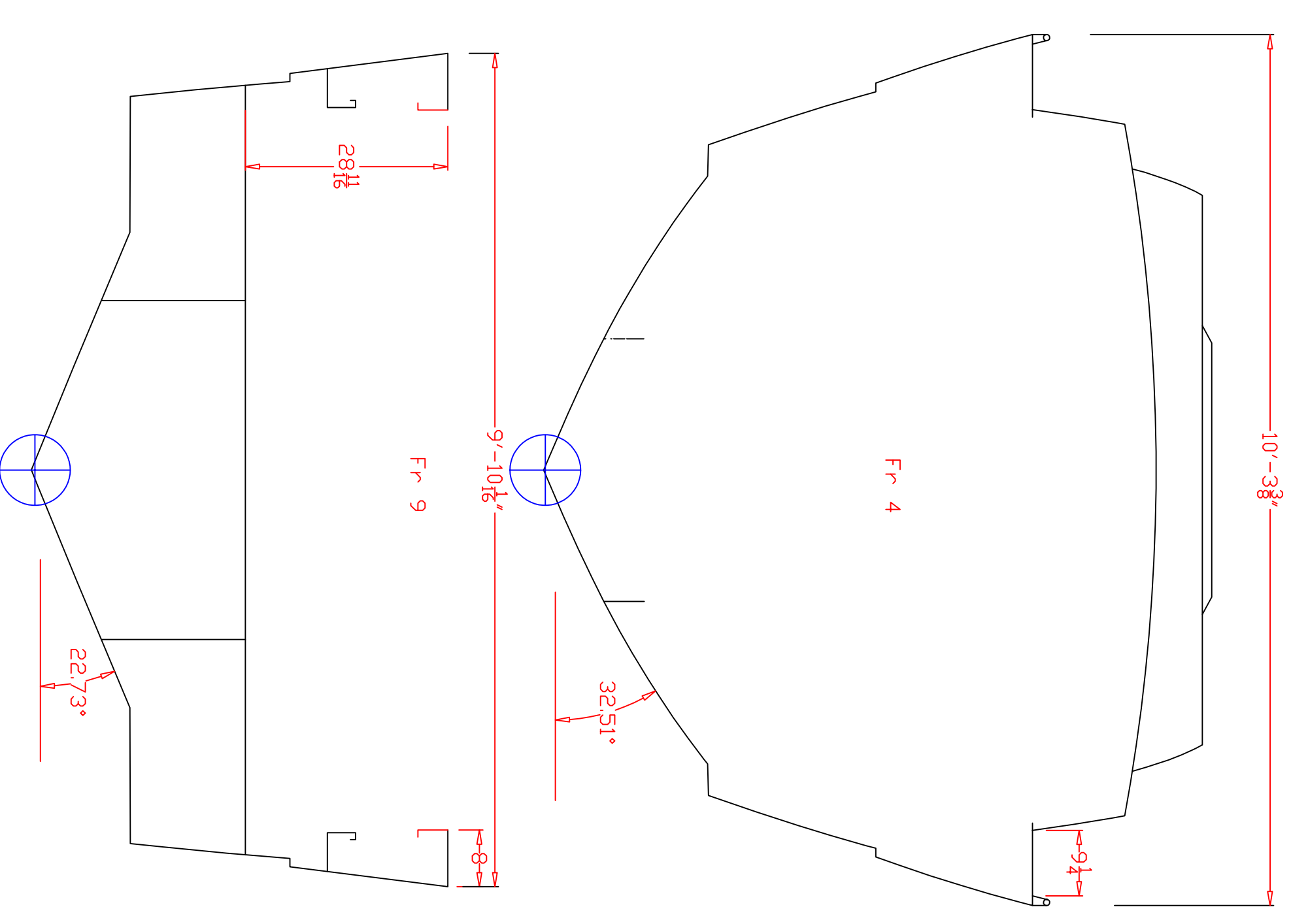
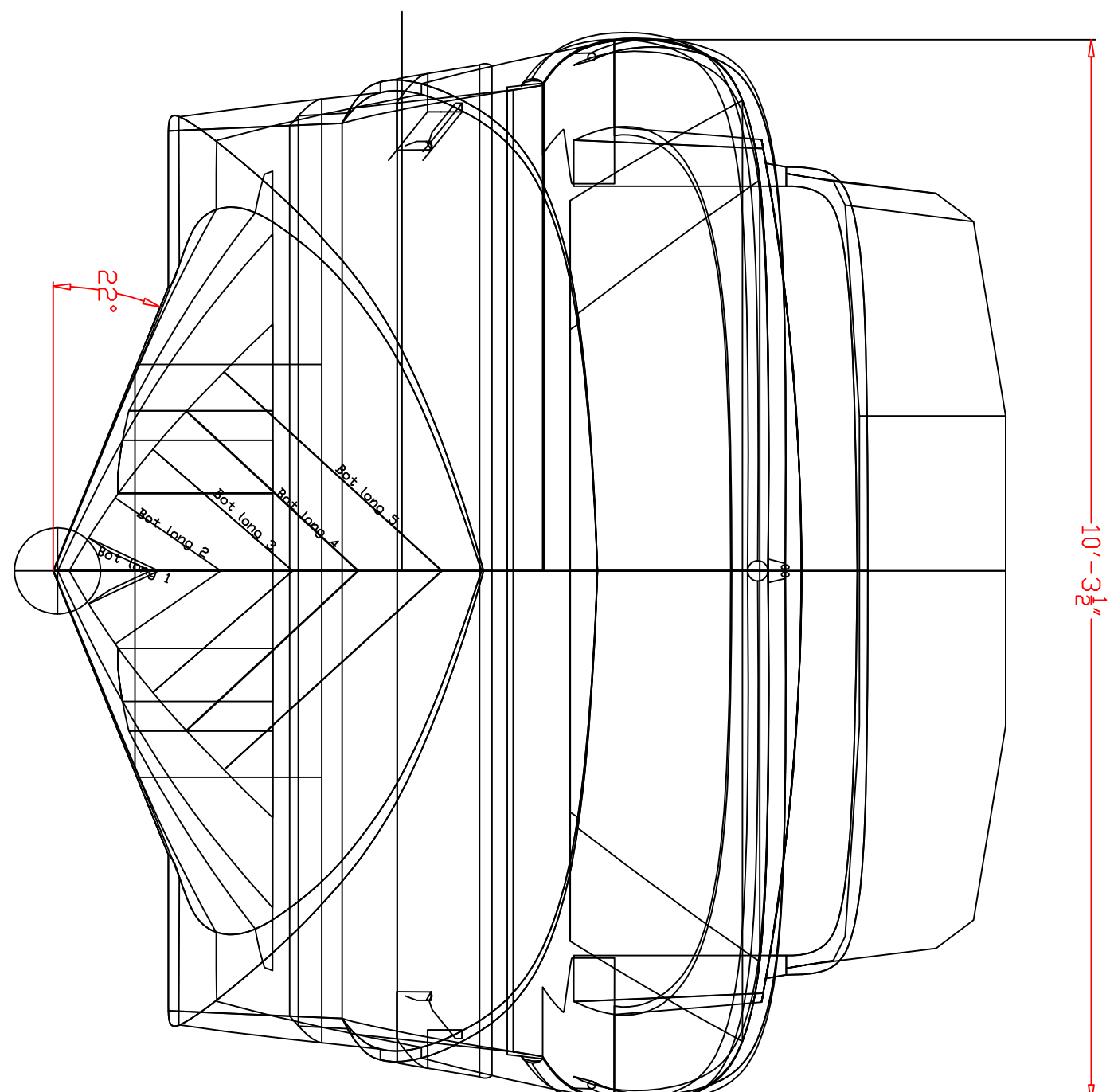
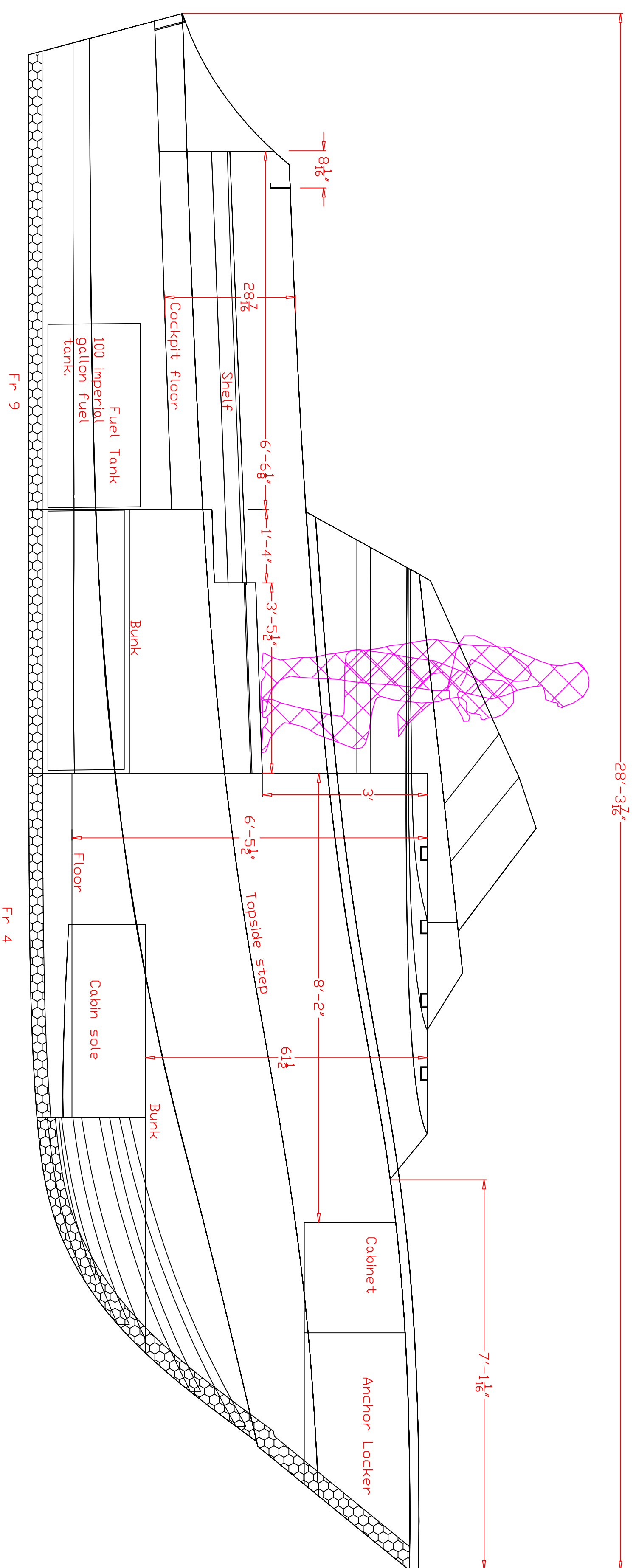


Cope 28ft Dffshore
Study Plan



COPE OFFSHORE 28
ALUMINUM POWERBOAT

Length-----28 FT 6 IN
Beam-----10 FT 6 IN
Displacement-----5000 LBS
Draft-----3 FT 6 IN
Deadrise-----22 degrees
Power-----Twin 225 HP OUTBOARD

Designed by ABCOPE LTD.
Designer-Bruce Cope
APRIL 5 2004
Revised Jan-2011

PLATE LIST
Marine Aluminum
Cope Dffshore 28

- 1 sheet @ 3/8"x48"x144"-----5086 H116
- 2 sheets @ 1/4" X 60" X 320"-----5086 H116
- 1 sheet @ 1/4" X 72" X 240"-----5086 H116
- 2 sheets @ 3/16" X 60" X 366"-----5086 H116
- 1 sheet @ 3/16" X 60" X 120"-----5086 H116
- 1 sheet @ 3/16"x60" x240"-----5052 H32-
- 10 sheets @ 3/2"(150") x 60" x 240"-----5052 H32

There are a total of 18 sheets.

5083 H116 can be substituted for 5086 H116