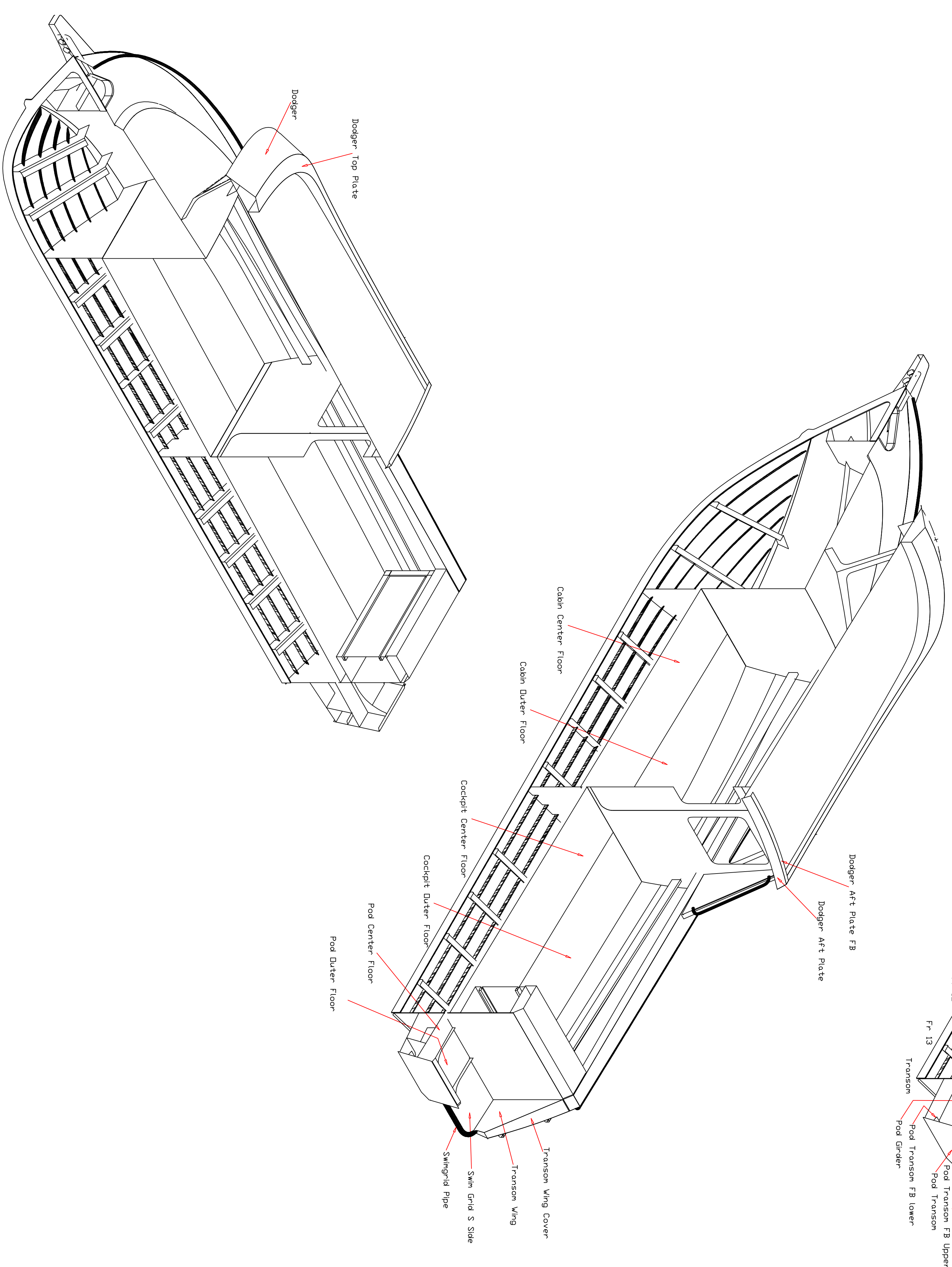
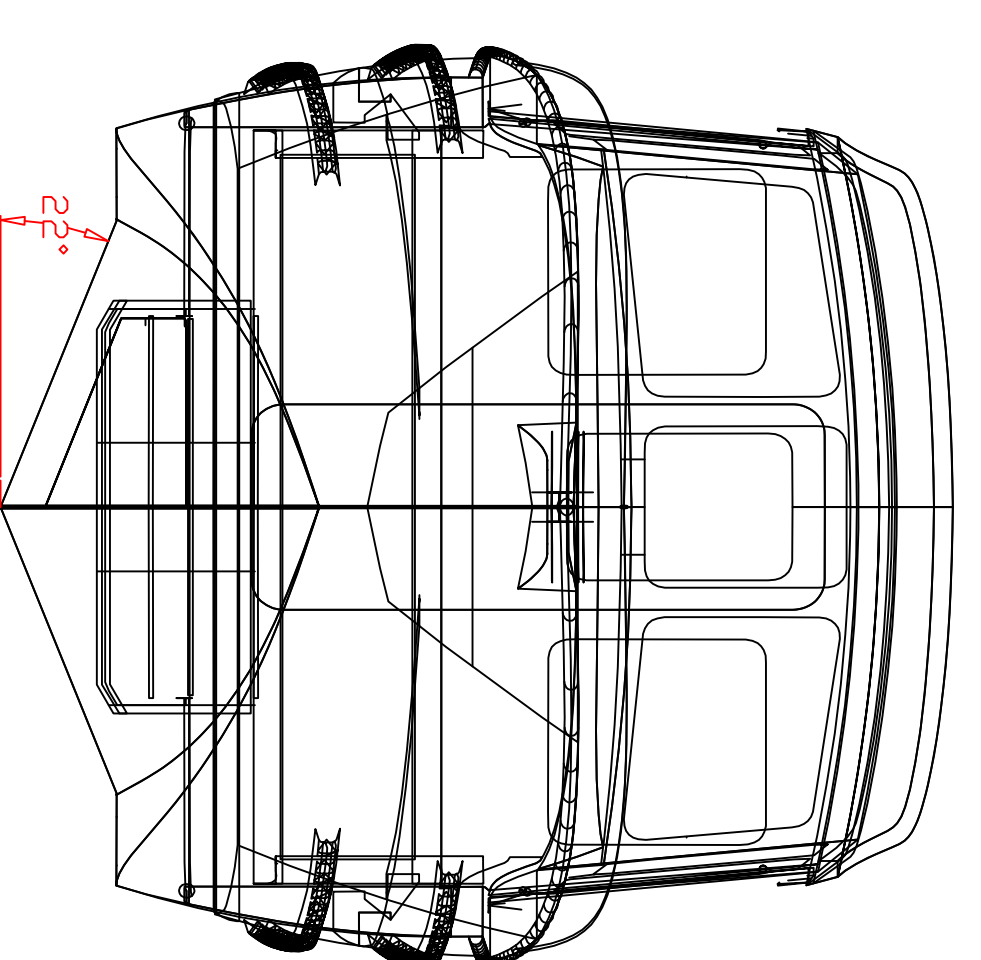
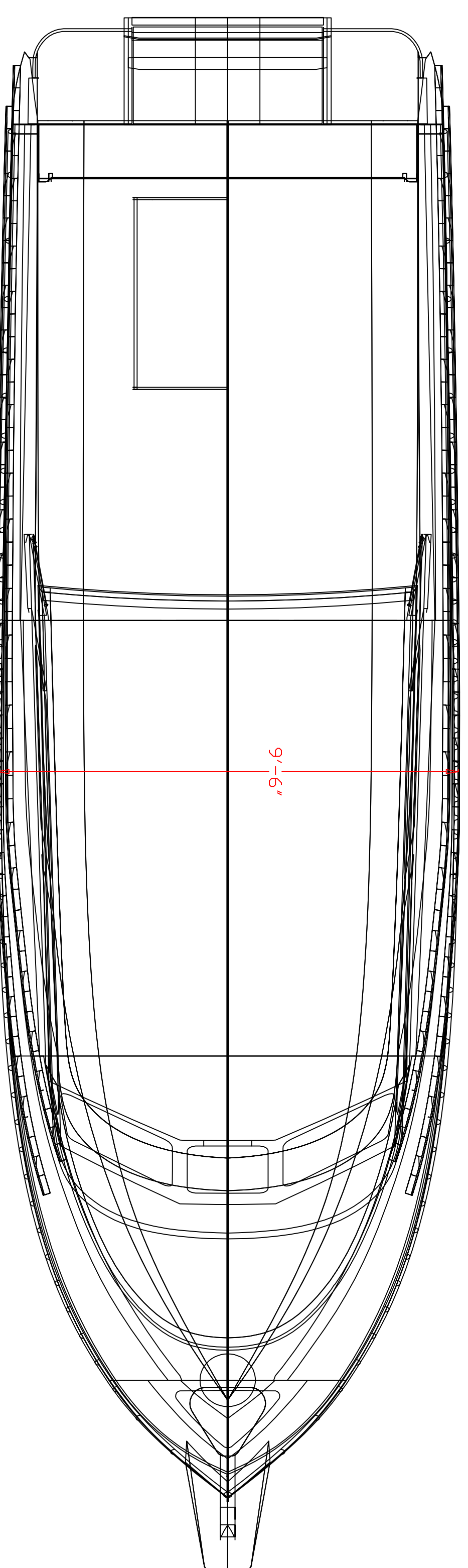
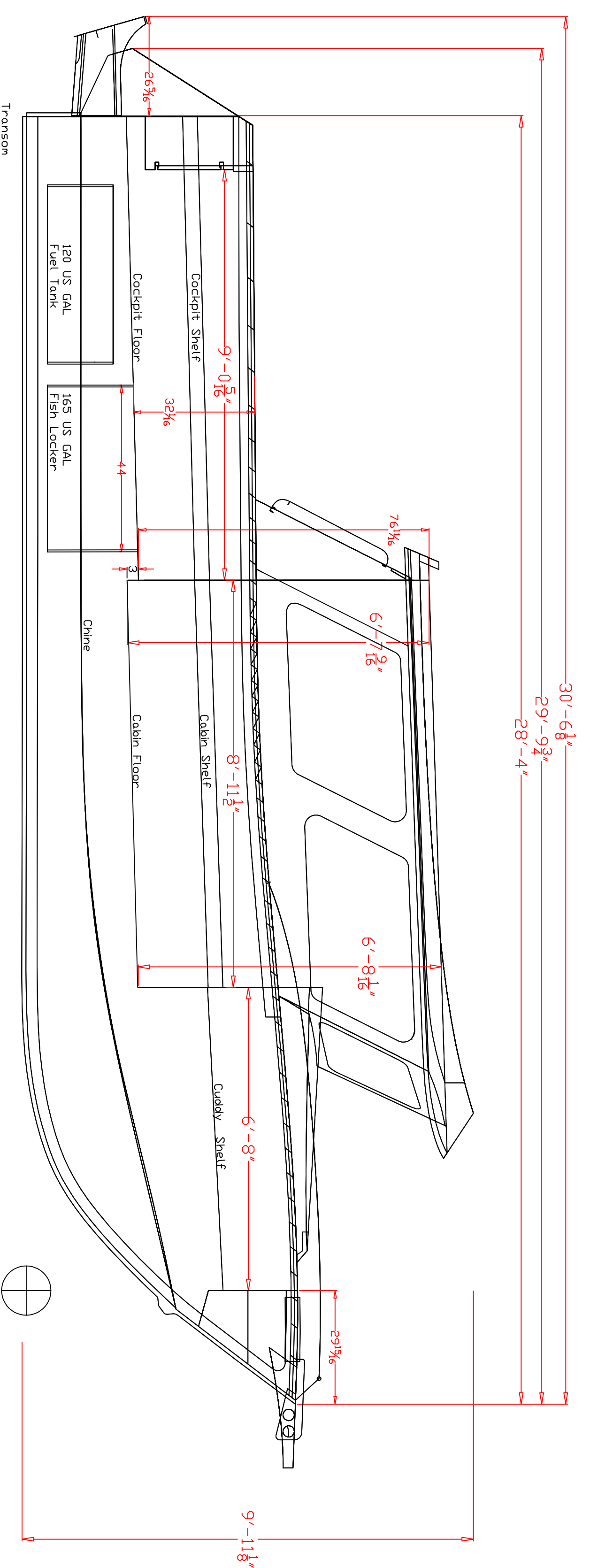


# Cape Cortes Island 30 Outboard Cruiser with Pod

## Study Plan



### Exclusion List

- Cape Cortes Island 28 DB Cruiser with Pod
- 1/2" Angle Bar 3/8"x2"x2' ---6661 16
  - 2 x 20ft lengths 1/2"x1 1/2"x1 1/2" Angle Bar ---6661 16
  - 3/4" Angle Bar ---6661 16
  - 2 x 20ft lengths 3/4"x2"x1 1/2" Angle Bar ---6661 16
  - 7 x 20ft lengths 3/4"x1 1/2"x1 1/2" Angle Bar ---6661 16
  - 1 x 20ft length 3/4"x2"x4" rectangular tube ---6661 16
  - 6 x 20ft length 3/4"x1 1/2" sq tube ---6661 16

### Aluminum Plate List

- Cape Cortes Island 28 DB Cruiser with Pod
- 1/2" plate 3/4"x1 1/2"x12ft ---5088 H16
  - 1/2" sheet 3/4"x2 1/2"x20ft ---5088 H16
  - 2 sheets 3/4"x1 1/2"x20ft ---5088 H16
  - 1 sheet 3/4"x1 1/2"x20ft ---5088 H16
  - 1 sheet 3/4"x2 1/2"x20ft ---5088 H16
  - 1 sheet 3/4"x5 1/4"x10ft ---5082 H32
  - 1 sheet 3/4"x5 1/4"x10ft ---5082 H32
  - 1 sheet 3/4"x5 1/4"x10ft ---5082 H32
  - 1 sheet 3/4"x5 1/4"x10ft ---5082 H32
  - 1 sheet 3/4"x5 1/4"x10ft ---5082 H32
  - 2 sheets 3/4"x5 1/4"x10ft ---5082 H32
- There is a total of 26 sheets

Cortes Island 28 DB Cruiser  
with Pod  
Construction-Aluminum  
Measurements-Typical  
Beam-----9'-16 1/2"  
Hull Length-----30'-6 1/2"  
Pod Length-----9'-11 1/8"  
Pod Width-----9'-1 6"  
Power-----20 to 500hp  
Design-----A/C/D/P/E  
Designed by A.B.C.P.E. LTD.  
Nov 17 2015