

COPE 34ft PRAWN BOAT STUDY PLAN

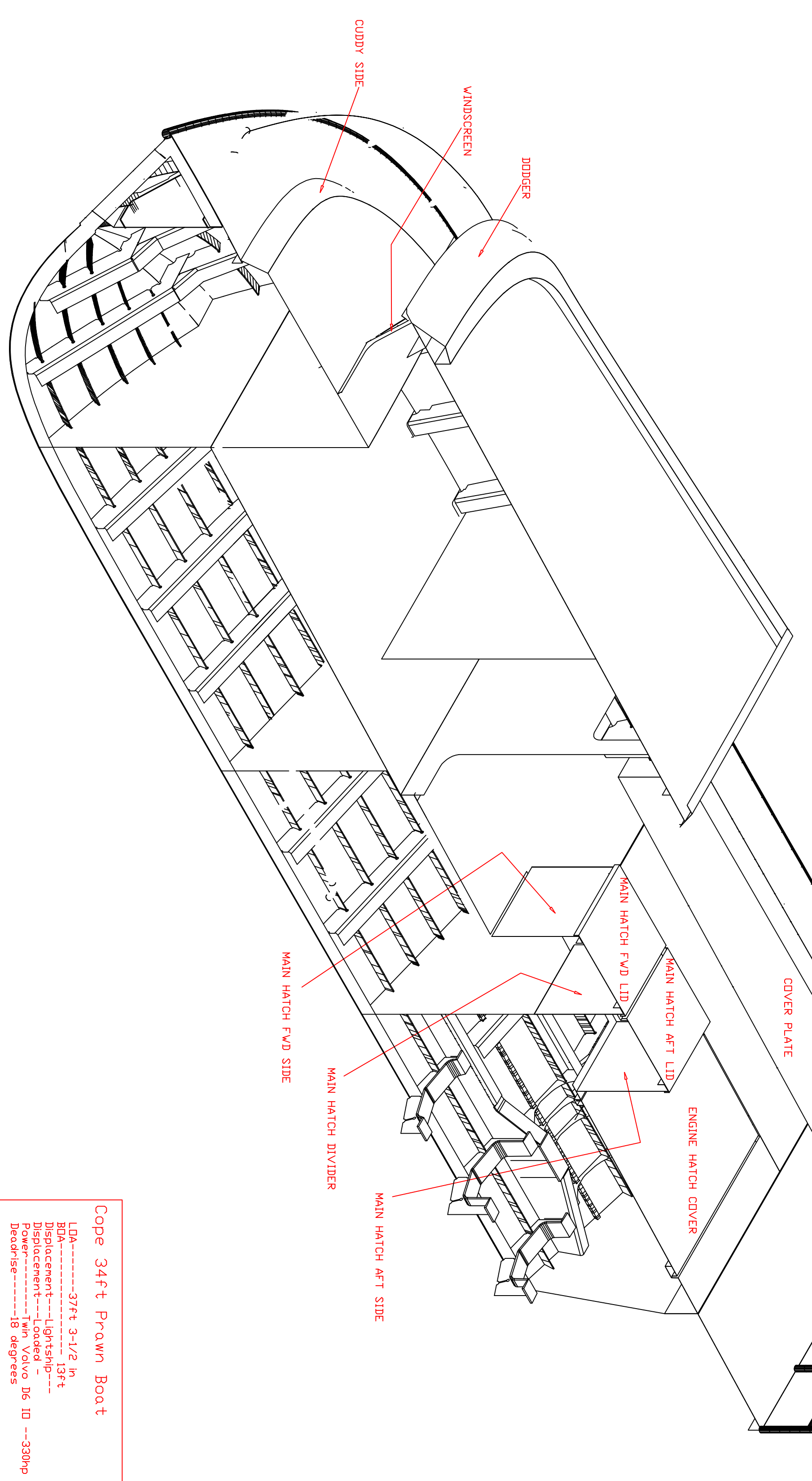
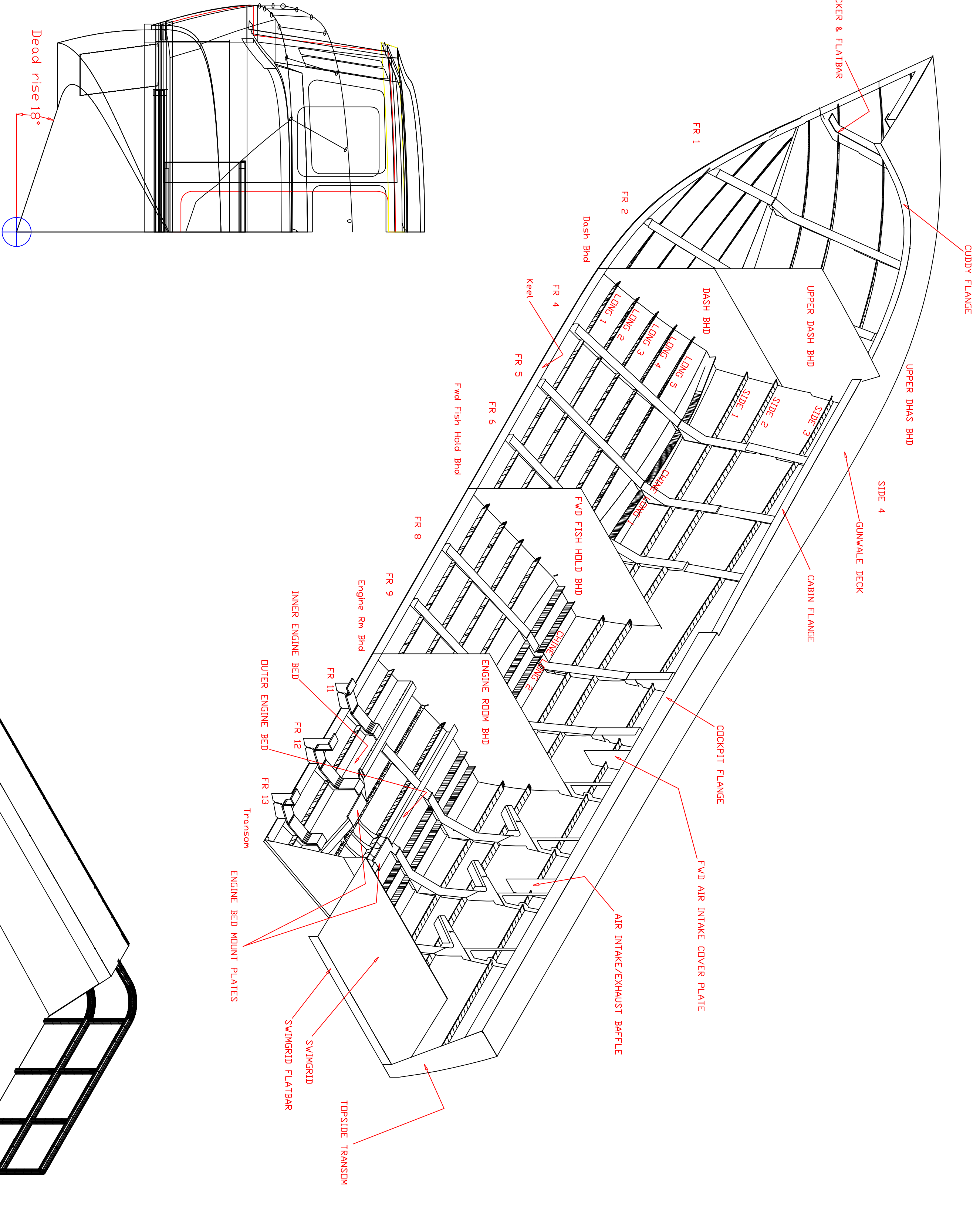
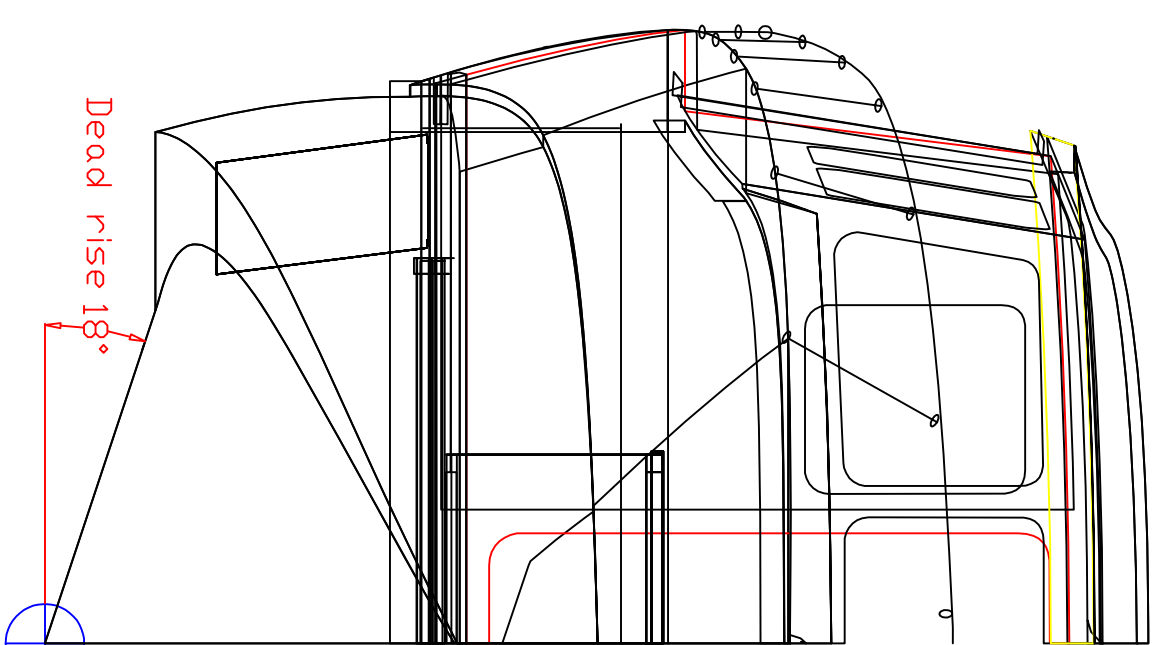
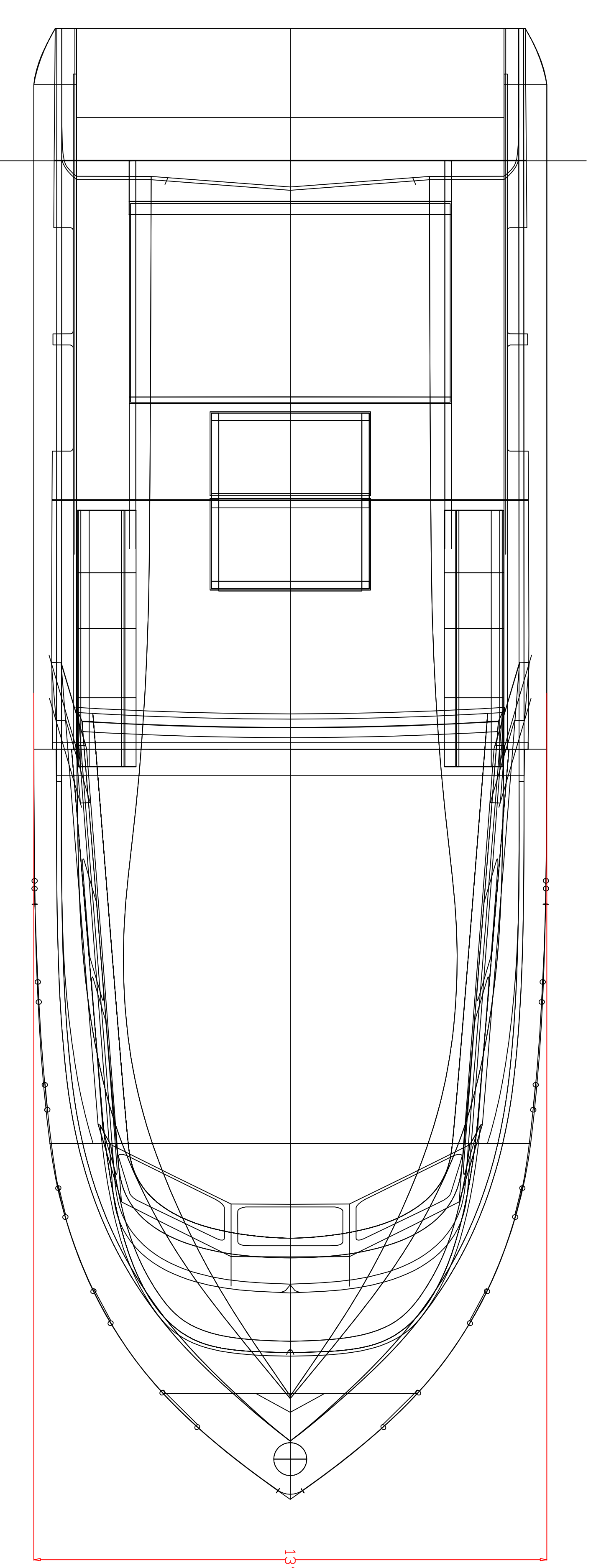
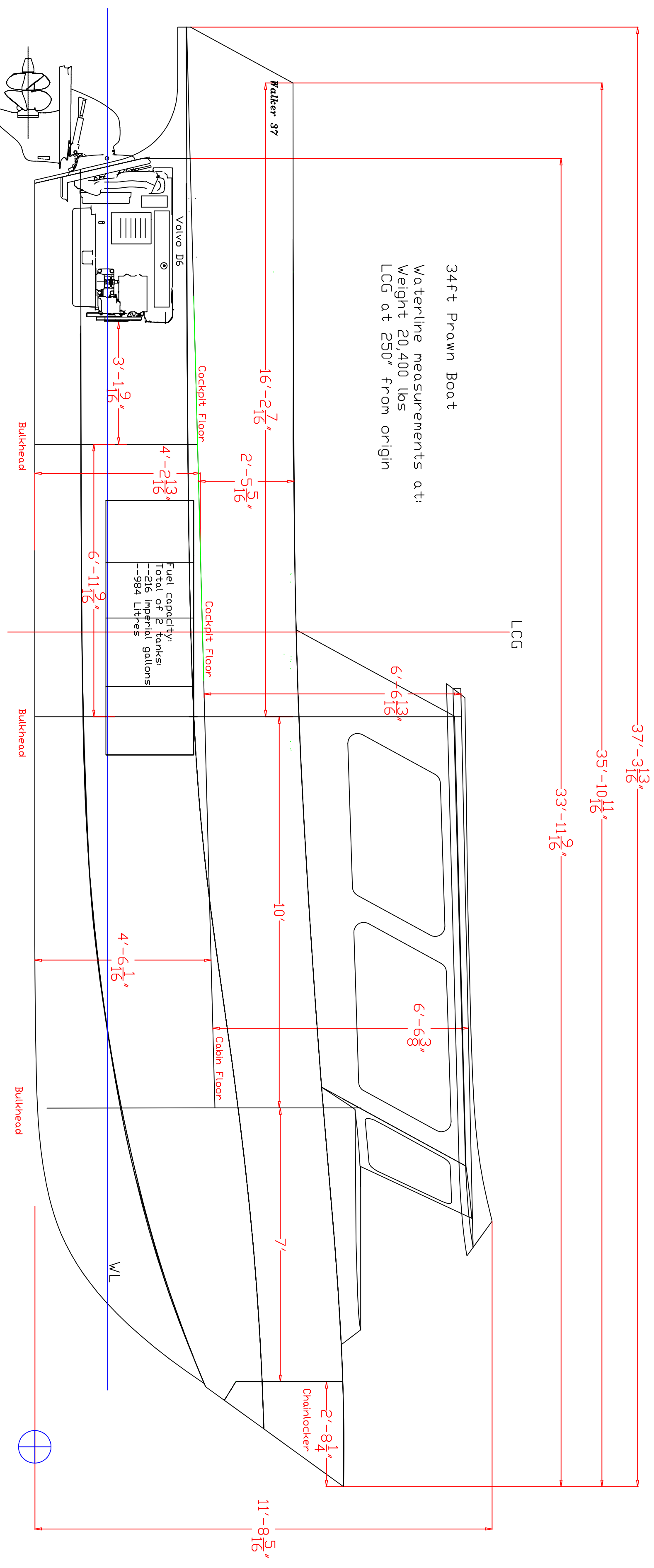
Cope 34ft Prawn Boat

- 3/8" plate - 3/8" x 5ft x 20ft-----S086 H116
- 1 sheet 1
- 1/2" plate - 1/2" x 4ft x 20ft-----S086 H116
- 4 sheets-1/2" x 5ft x 20ft-----S086 H116
- 7 sheets-1/2" x 5ft x 20ft-----S086 H116
- 4 sheets-1/2" x 5ft x 20ft-----S086 H116
- 1 sheet-1/2" x 6ft x 20ft-----S086 H116
- 3/8" plate - 3/8" x 4ft x 20ft-----S086 H116
- 8 sheets-3/8" x 5ft x 20ft-----S086 H116
- 2 sheet-3/8" x 5ft x 20ft-----S086 H116
- 2 sheets-3/8" x 5ft x 20ft-----S086 H116
- 1 sheet-3/8" x 5ft x 20ft-----S086 H116
- 1 sheet-3/8" x 5ft x 20ft-----S086 H116
- 3/8" TREADPLATE
- 3 sheets 3/8" x 6ft x 20ft ----- S052 H32
- 3/8" plate
- 1 sheet 3/8" x 4ft x 20ft-----S052 H32
- 3 sheets 3/8" x 5ft x 20ft-----S052 H32
- 2 sheets 3/8" x 6ft x 20ft-----S052 H32
- 1 sheet 3/8" x 6ft x 20ft-----S052 H32
- 1/2" plate - 1/2" x 4ft x 20ft-----S086 H116
- 1 sheet 1/2" x 5ft x 20ft-----S086 H116

TOTAL NUMBER OF PLATES = 43 plates

Cope 34ft Prawn Boat

- Extrusion List
- 1/2" Angle Bar:
- 3 x 20ft lengths-----1/2" x 2" x 2" Angle Bar -----6061 T6
- 5 x 20ft lengths-----1/2" x 1 1/2" x 1 1/2" Angle Bar ----6061 T6
- 3/4" Angle Bar:
- 2 x 20ft lengths -----3/4" x 1 1/2" x 1 1/2" Angle Bar ---6061 T6
- 3 x 20ft lengths -----3/8" x 2 1/2" x 1 1/2" Angle Bar -----6061 T6
- 1 x 1" Square Bar:
- 1 x 20ft length -----1" x 1" Square Bar-----6061 T6
- 3/8" Rectangular Tube:
- 1 x 20ft length -----3/8" x 2" x 4" Rectangular Tube-----6061 T6
- 3/4" Square Tube:
- 12 x 20 lengths-----3/4" x 1 1/2" Square Tube -----6061 T6
- 1/2" Flat Bar:
- 2 x 20ft lengths-----1" x 2" Flat Bar



Cope 34ft Prawn Boat

LDA-----37ft 3-1/2" M
 Displacement-----Lightship---
 Displacement-----Fully Loaded---
 Draught-----18 degrees
 Designed by A&E/CPE LTD
 December 23 2015